

OS .40 SF ENGINE
NOT INCLUDED

NOTICE THAT NO 9mm SPACER PLATE IS USED ON MOST BALL BEARING .40 SIZE ENGINES.



OS .48 SURPASS 4-STROKE ENGINE
NOT INCLUDED

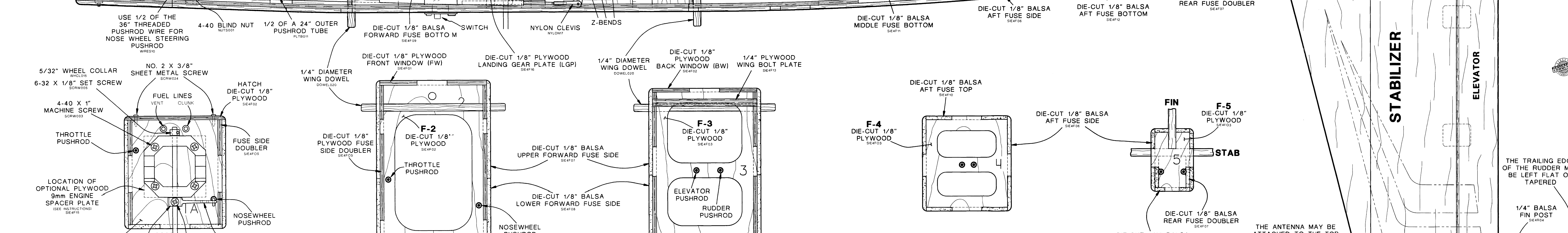
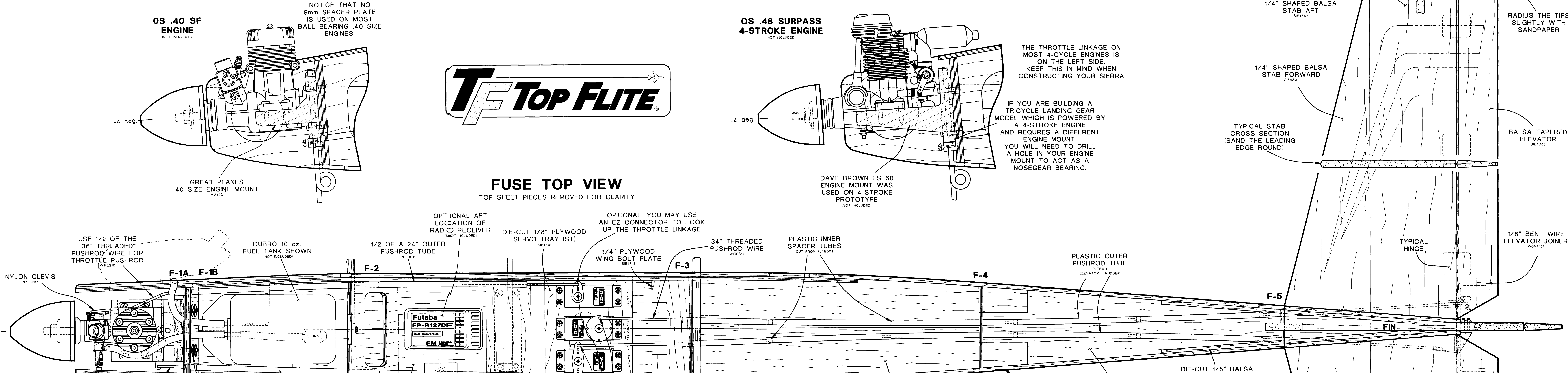
THE THROTTLE LINKAGE ON MOST 4-CYCLE ENGINES IS ON THE LEFT SIDE. KEEP THIS IN MIND WHEN CONSTRUCTING YOUR SIERRA

IF YOU ARE BUILDING A TRICYCLE LANDING GEAR MODEL WHICH IS POWERED BY A 4-STROKE ENGINE AND REQUIRES A DIFFERENT ENGINE MOUNT, YOU WILL NEED TO DRILL A HOLE IN YOUR ENGINE MOUNT TO ACT AS A NOSEGEAR BEARING.

DAVE BROWN FS 60 ENGINE MOUNT WAS USED ON 4-STROKE PROTOTYPE
NOT INCLUDED

FUSE TOP VIEW

TOP SHEET PIECES REMOVED FOR CLARITY

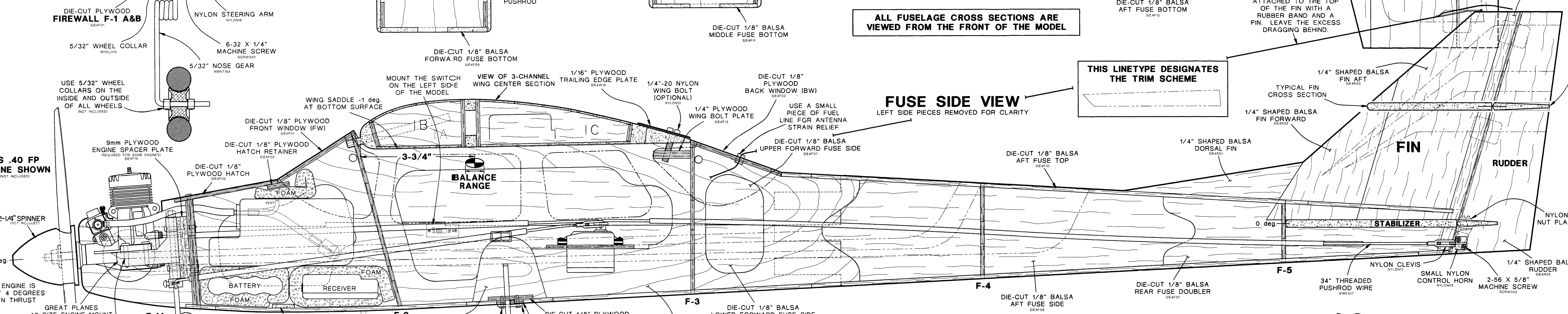


ALL FUSELAGE CROSS SECTIONS ARE VIEWED FROM THE FRONT OF THE MODEL

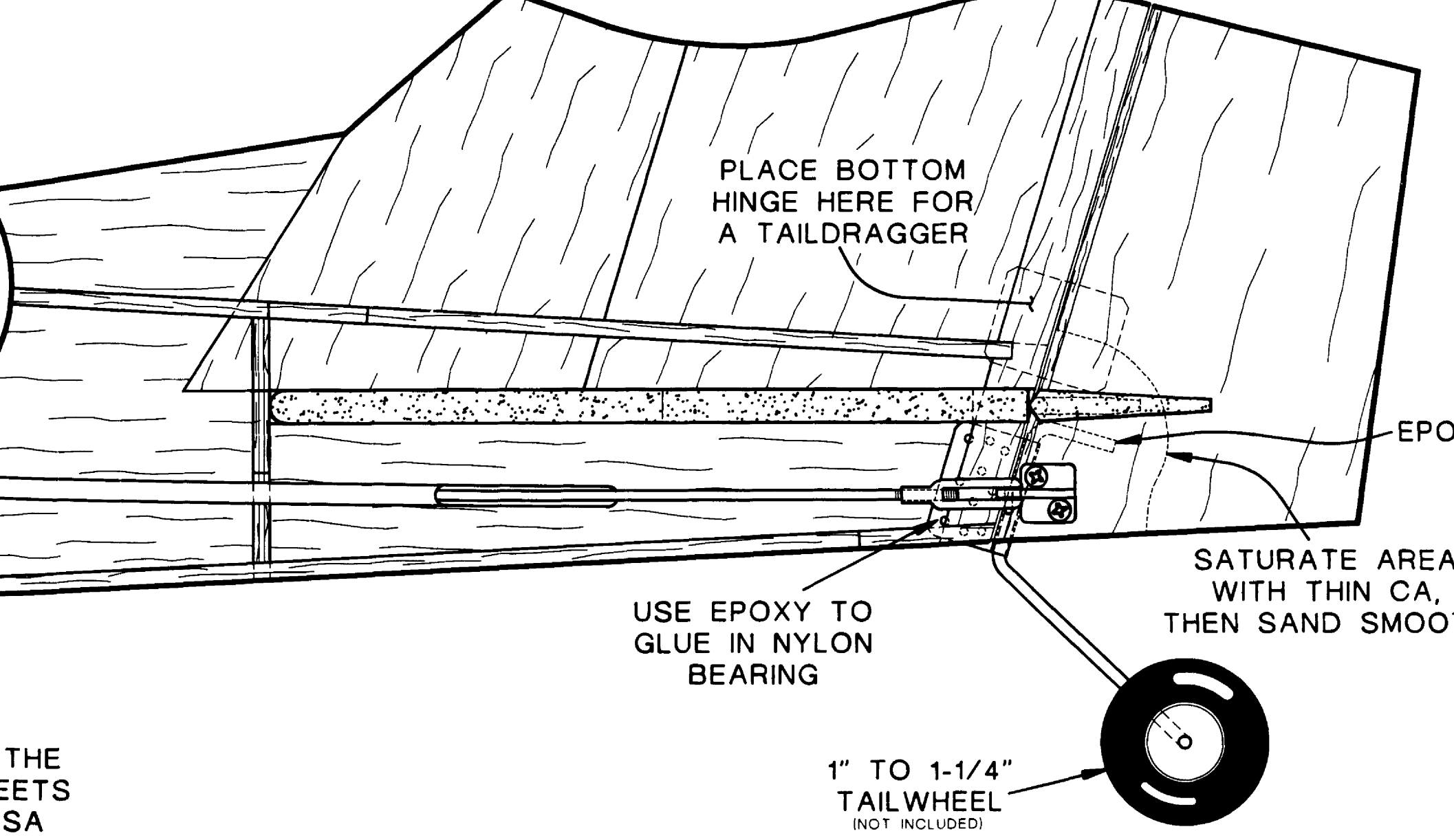
THIS LINETYPE DESIGNATES THE TRIM SCHEME

FUSE SIDE VIEW

LEFT SIDE PIECES REMOVED FOR CLARITY



TAILDRAGGER DETAILS



SPECIFICATIONS	
WING SPAN	60"
WING AREA	660 sq. in.
WING LOADING	24-26 oz./sq. ft.
WEIGHT	5-1/2 - 6 lb.
ENGINE 2-STROKE	28 - 46
ENGINE 4-STROKE	40 - 60

ALL COMMERCIAL RIGHTS RESERVED FUSE PLAN SIE4P01

Sierra
DESIGNED AND DRAWN BY: DAVID J. RIBBE
TOP FLITE MODELS
PO BOX 721 URBANA, IL 61801

