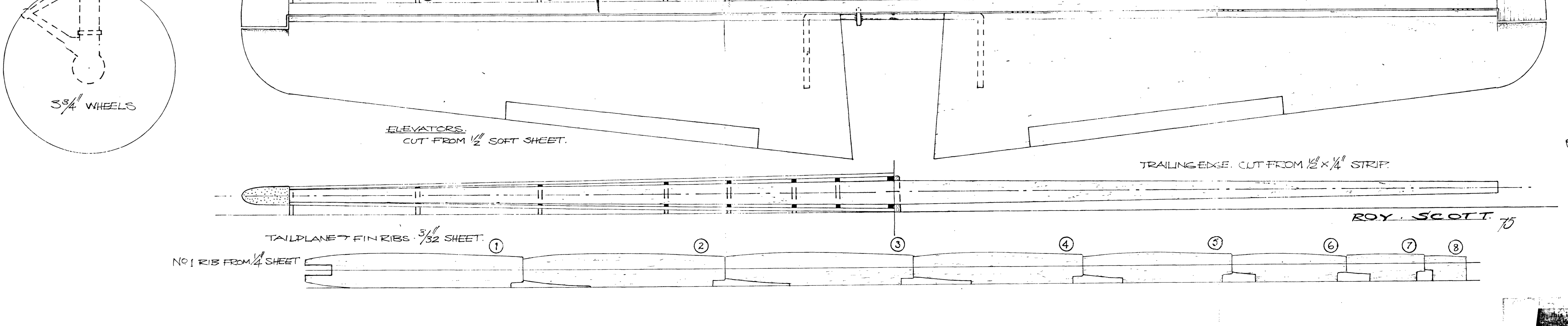
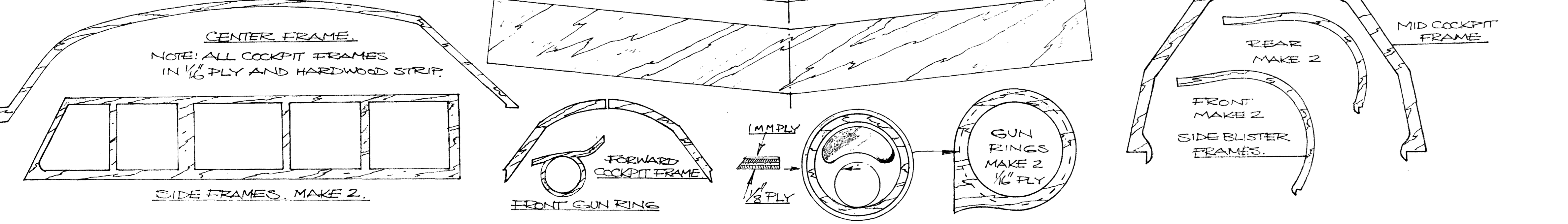
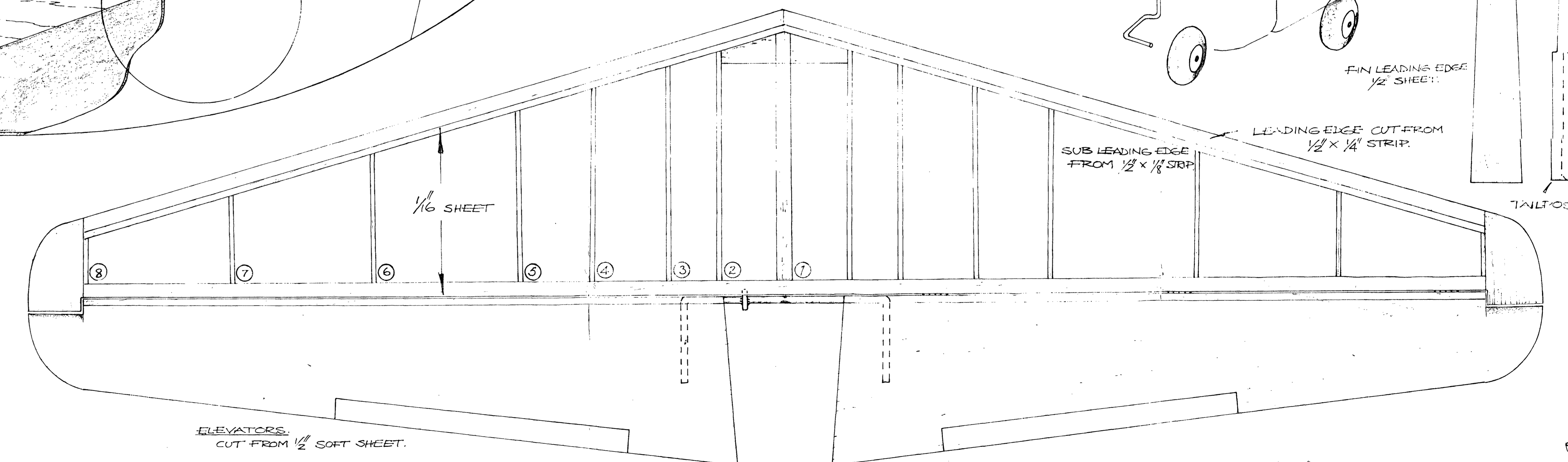
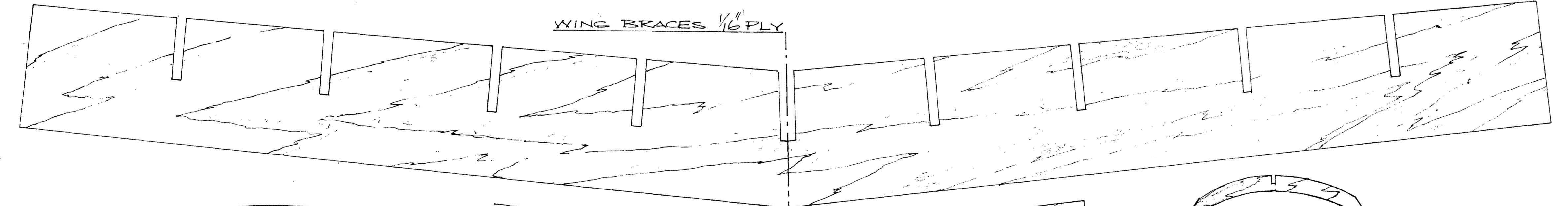
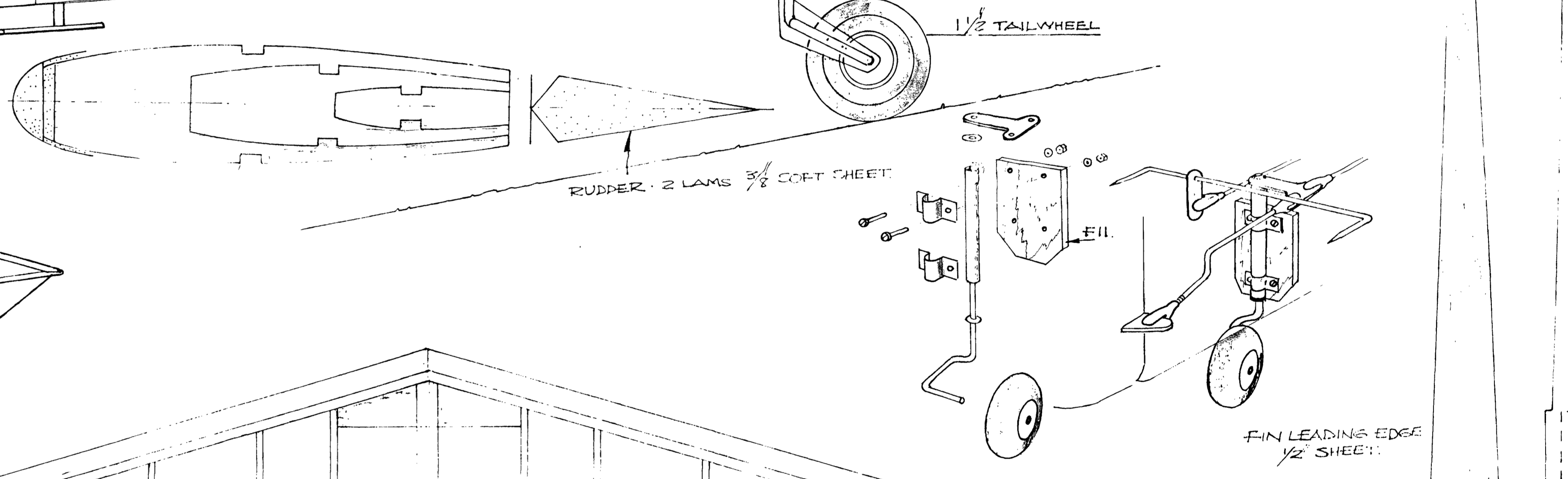
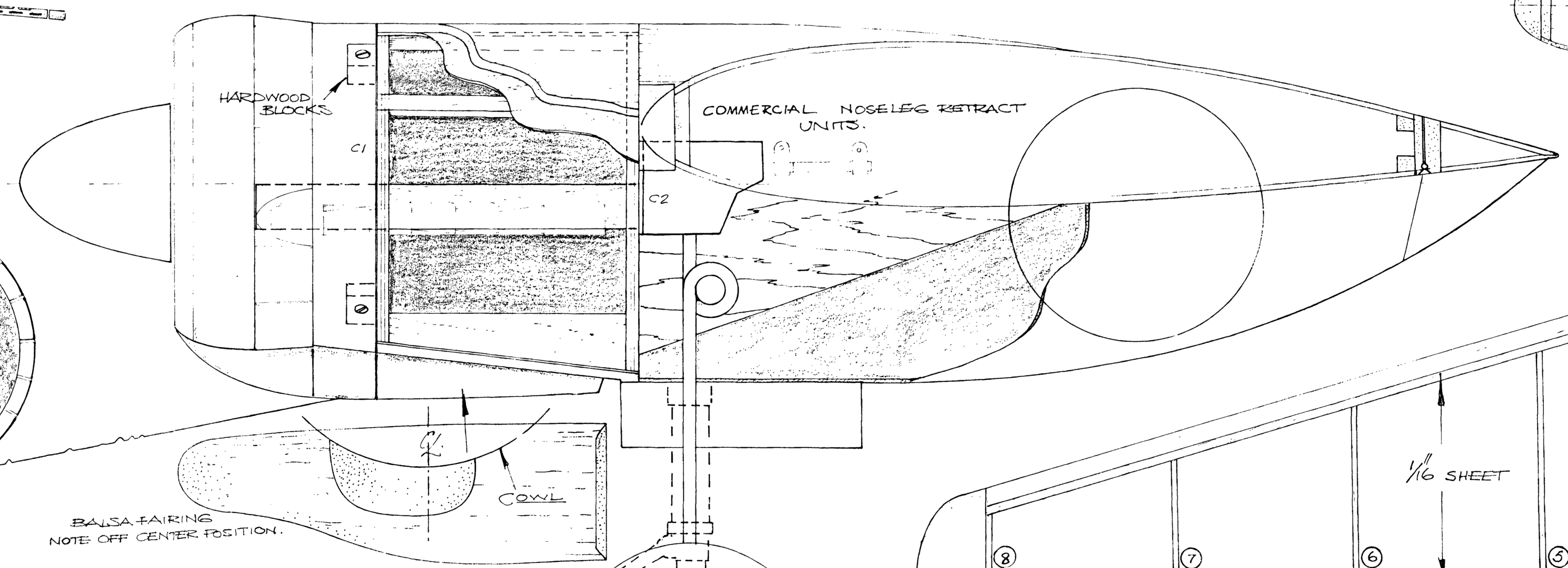
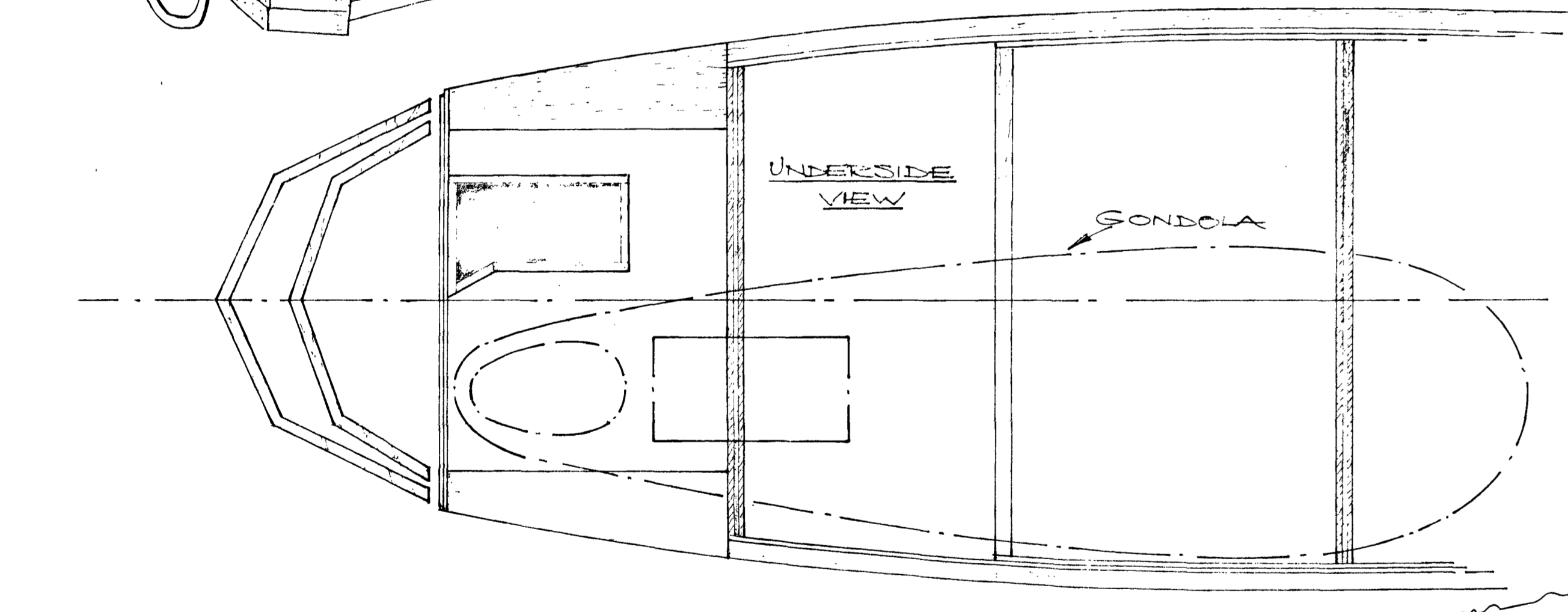
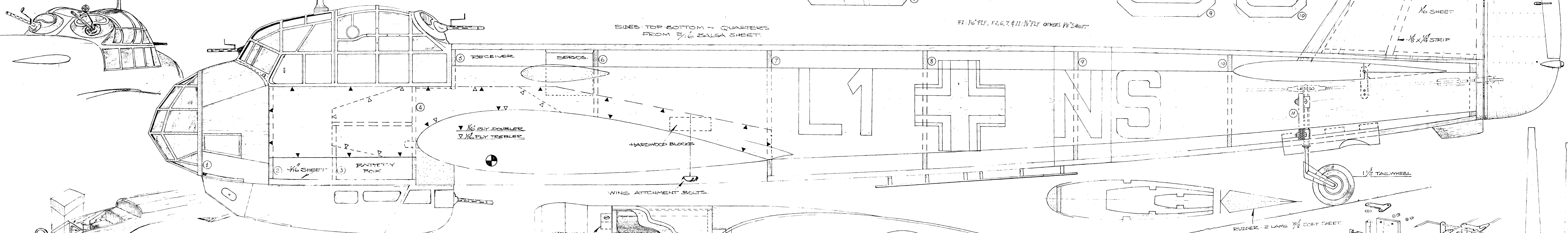
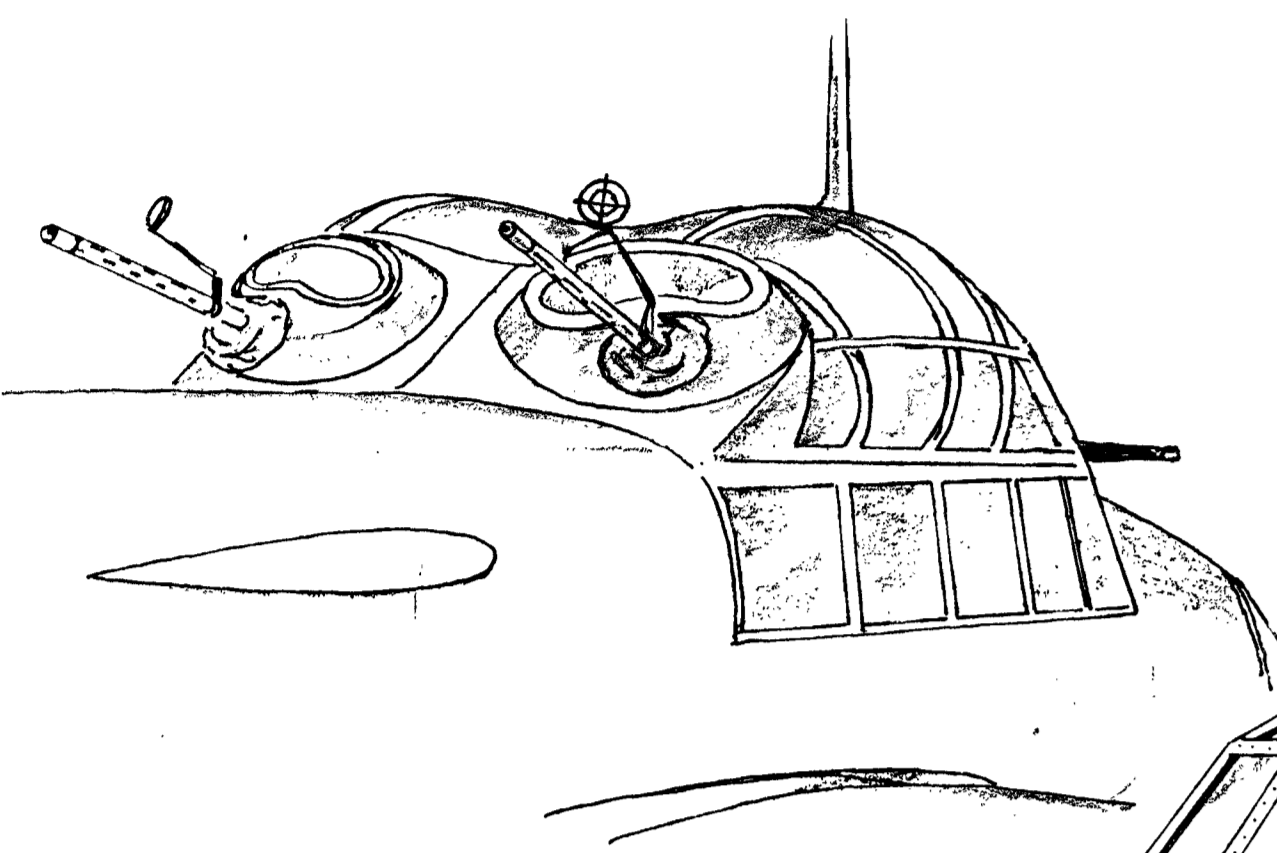
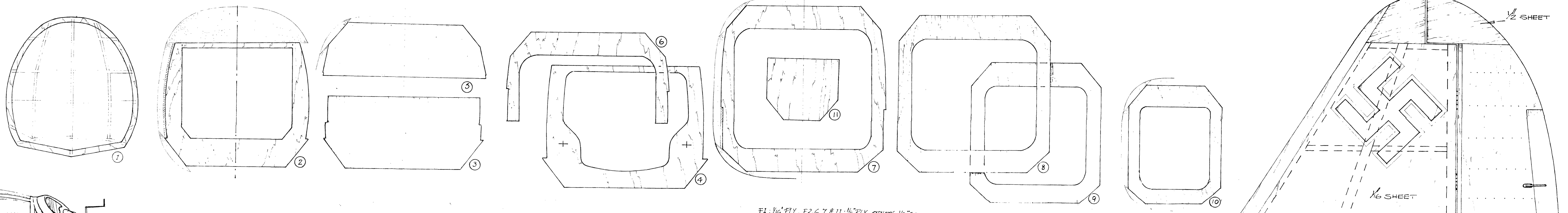
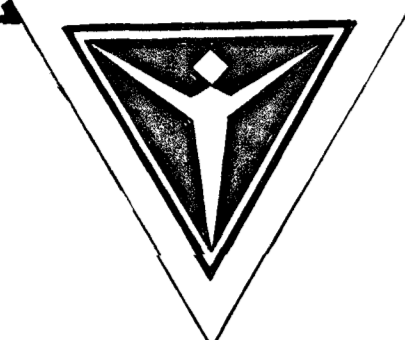
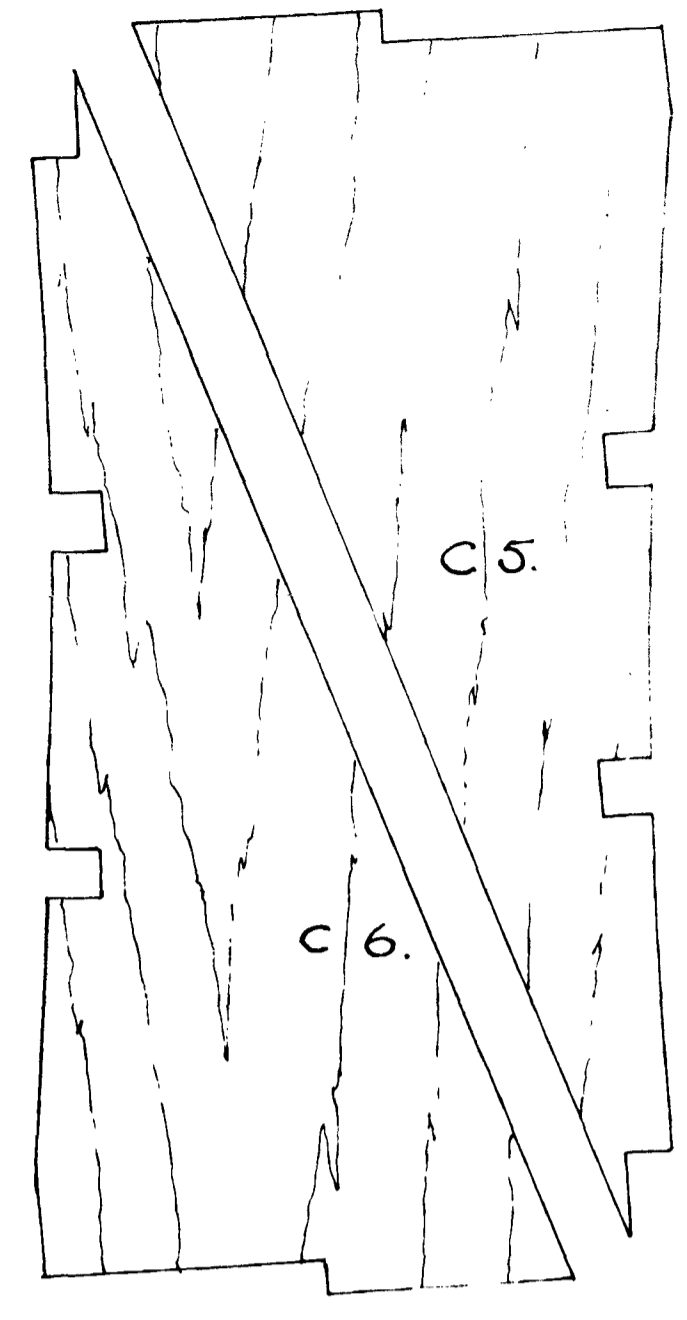
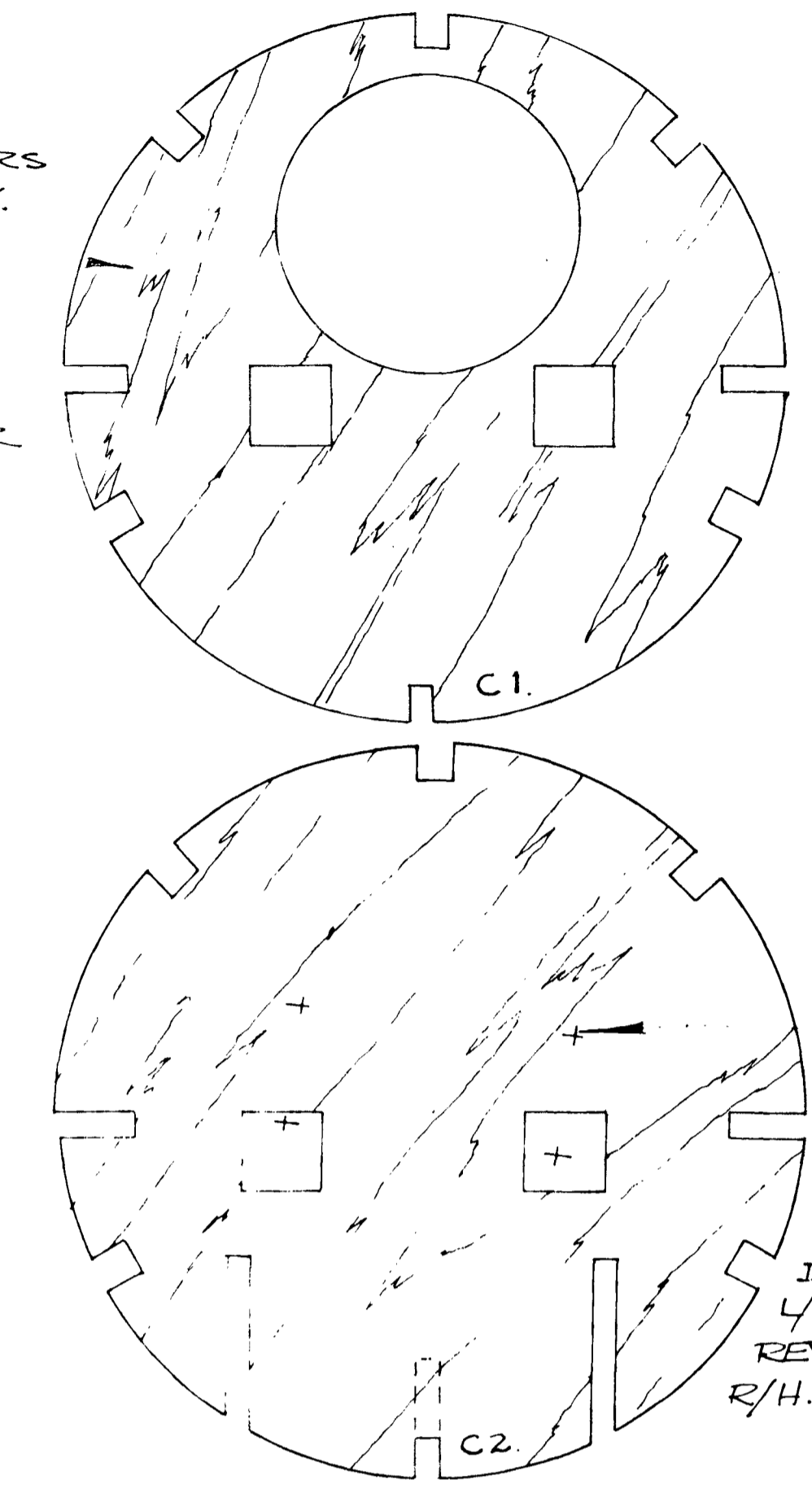
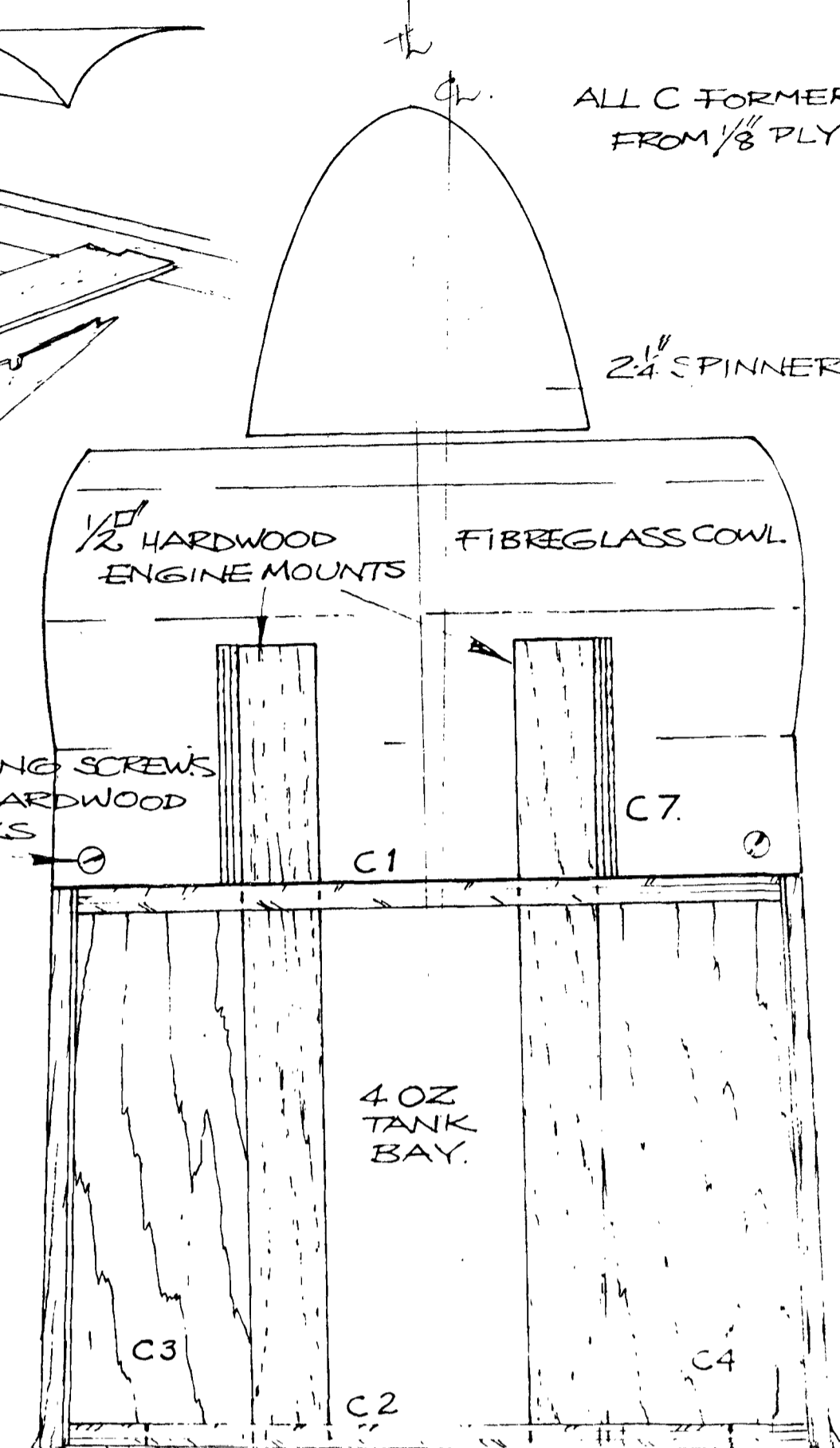
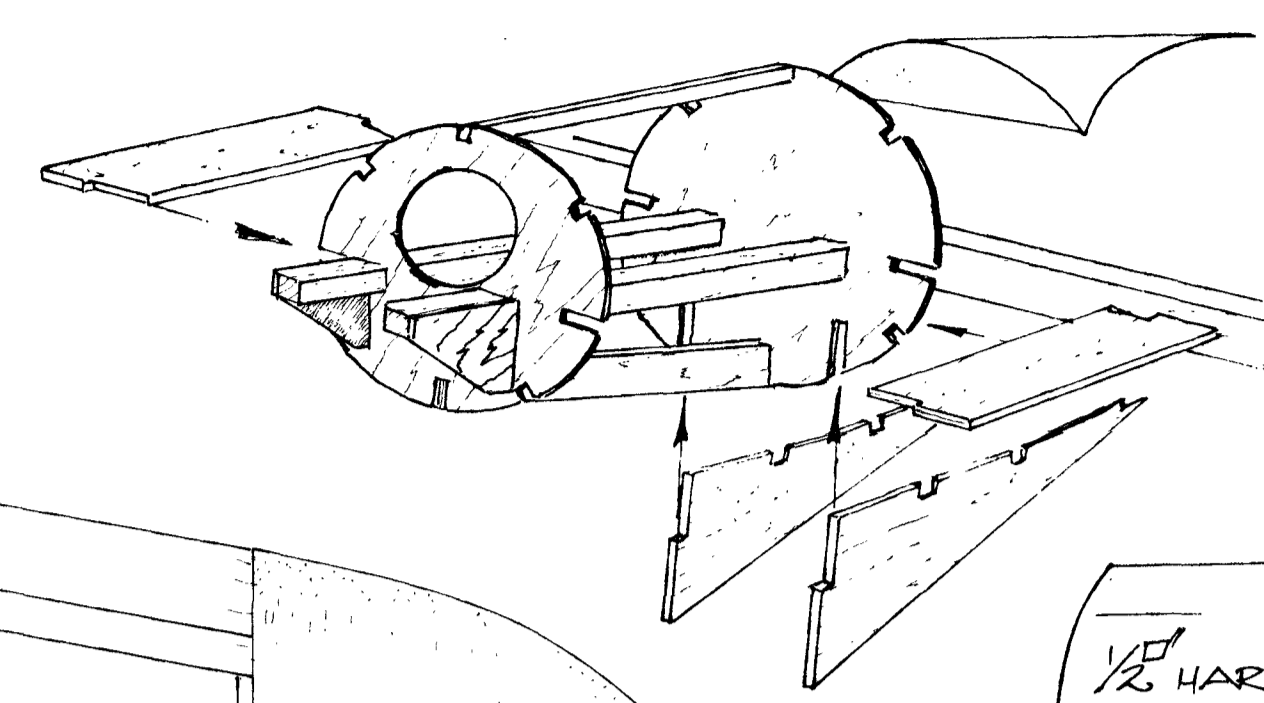
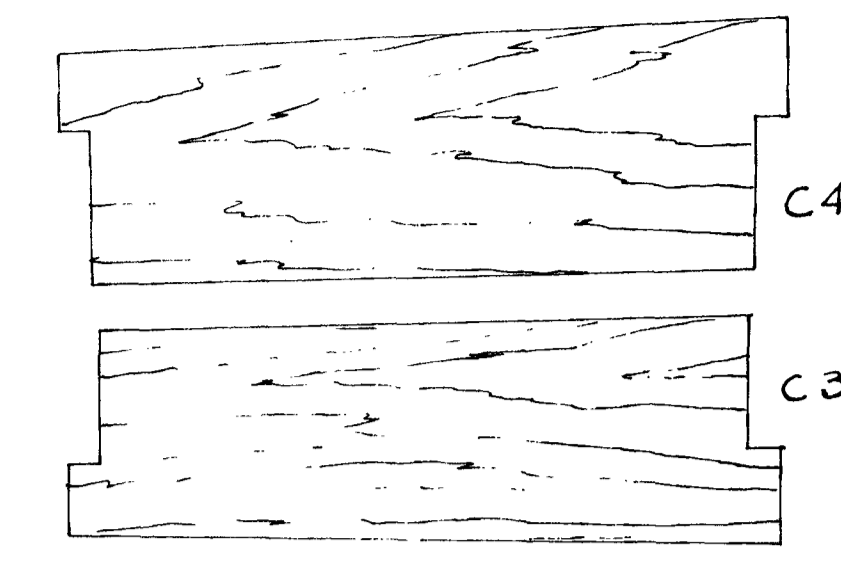
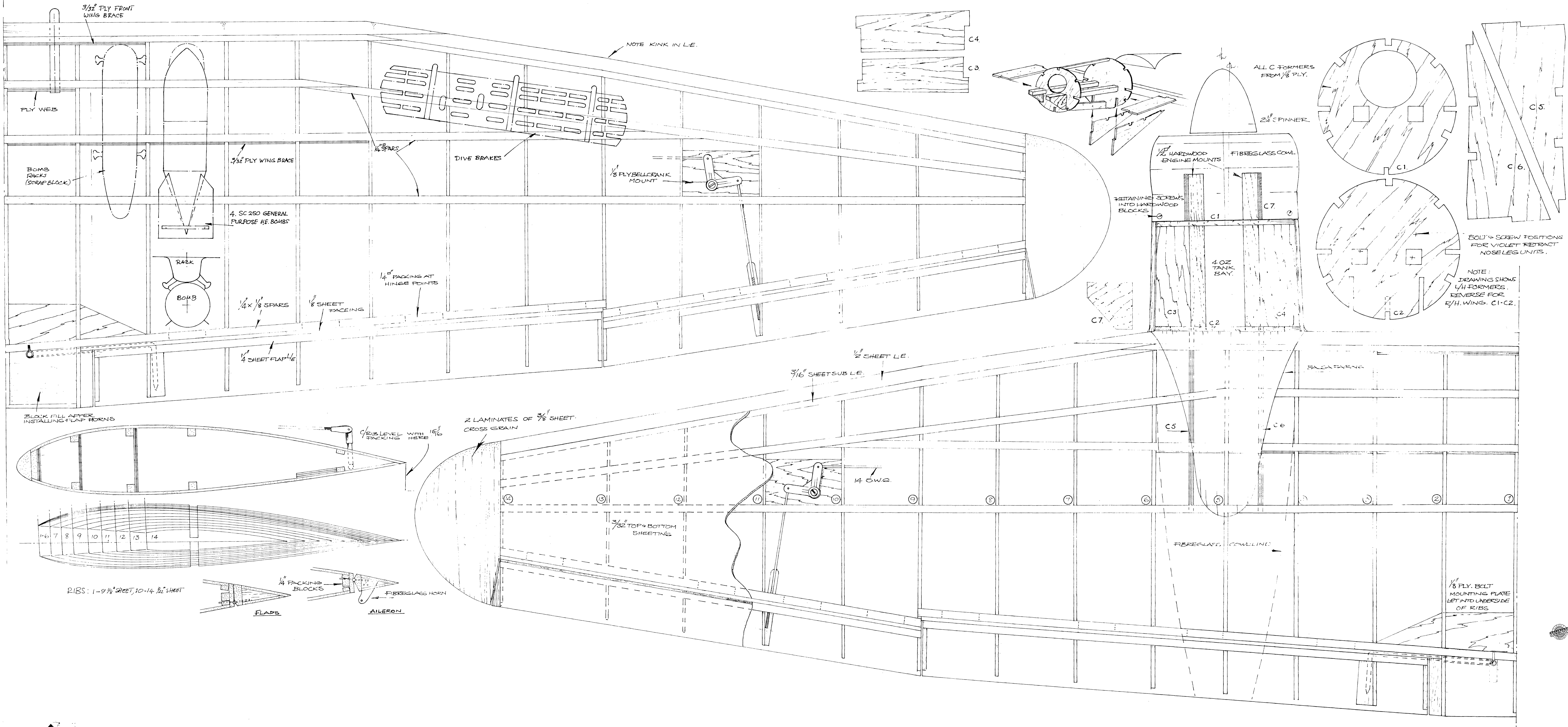


JUNKERS JU88-A4 by ROY SCOTT

A 72" SPAN (1 1/2 IN.) SCALE MODEL FOR TWO .30 CAL. IN. MOTORS AND FOUR TO SIX FUNCTION RADIO CONTROL SYSTEMS
RADIO MODELLER, 84 HIGH STREET, FERRINGTON, MIDDLESEX.

WEIGHT 9-10 lbs.





BOLT & SCREW POSITIONS FOR VIOLET RETRACT NOSELEG UNITS.

NOTE: DRAWING SHOWS L/H FORMERS. REVERSE FOR R/H. WING. C1-C2.

