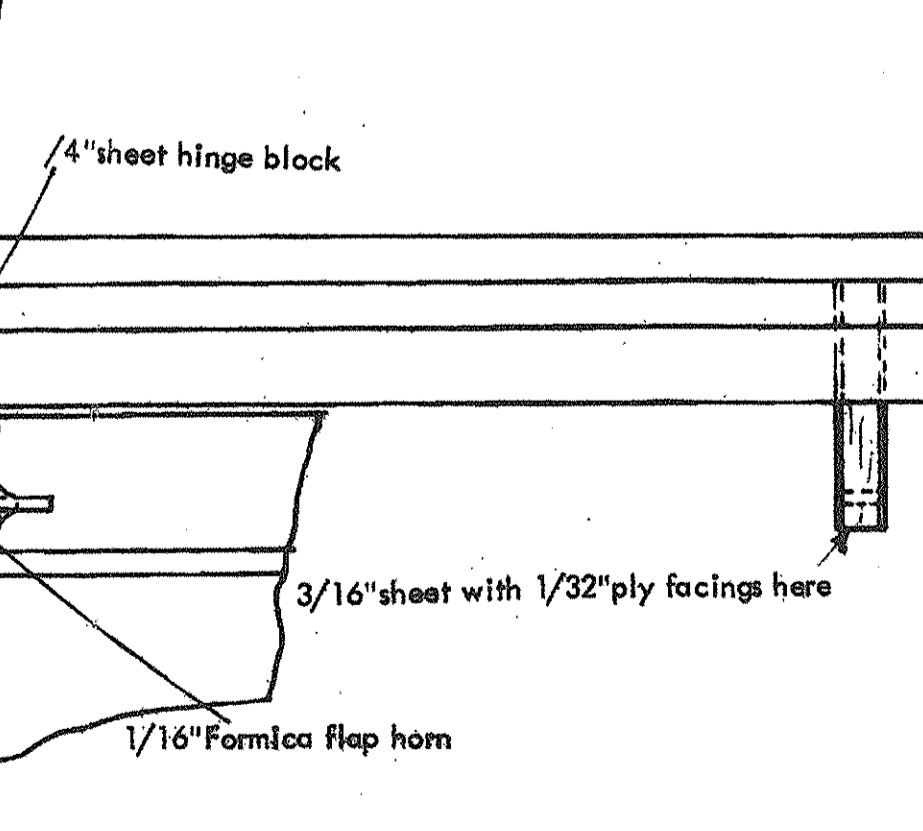
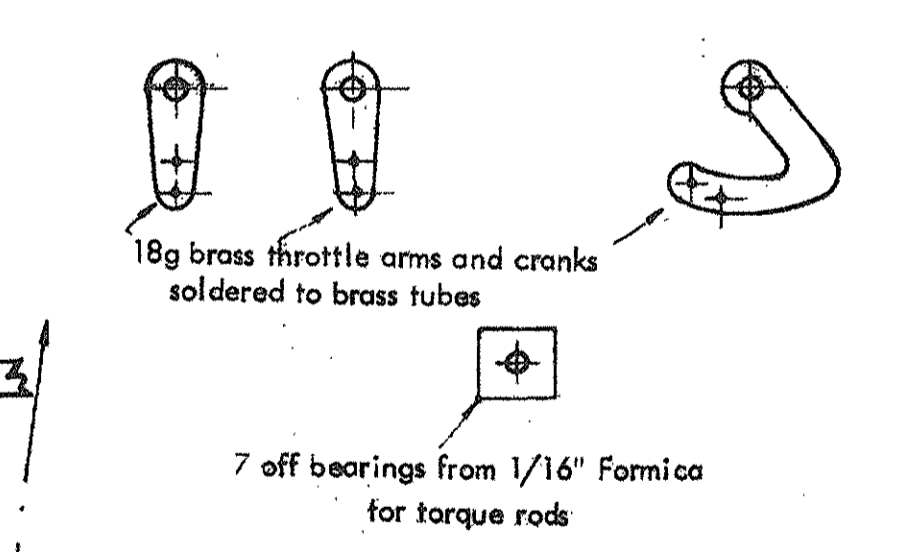
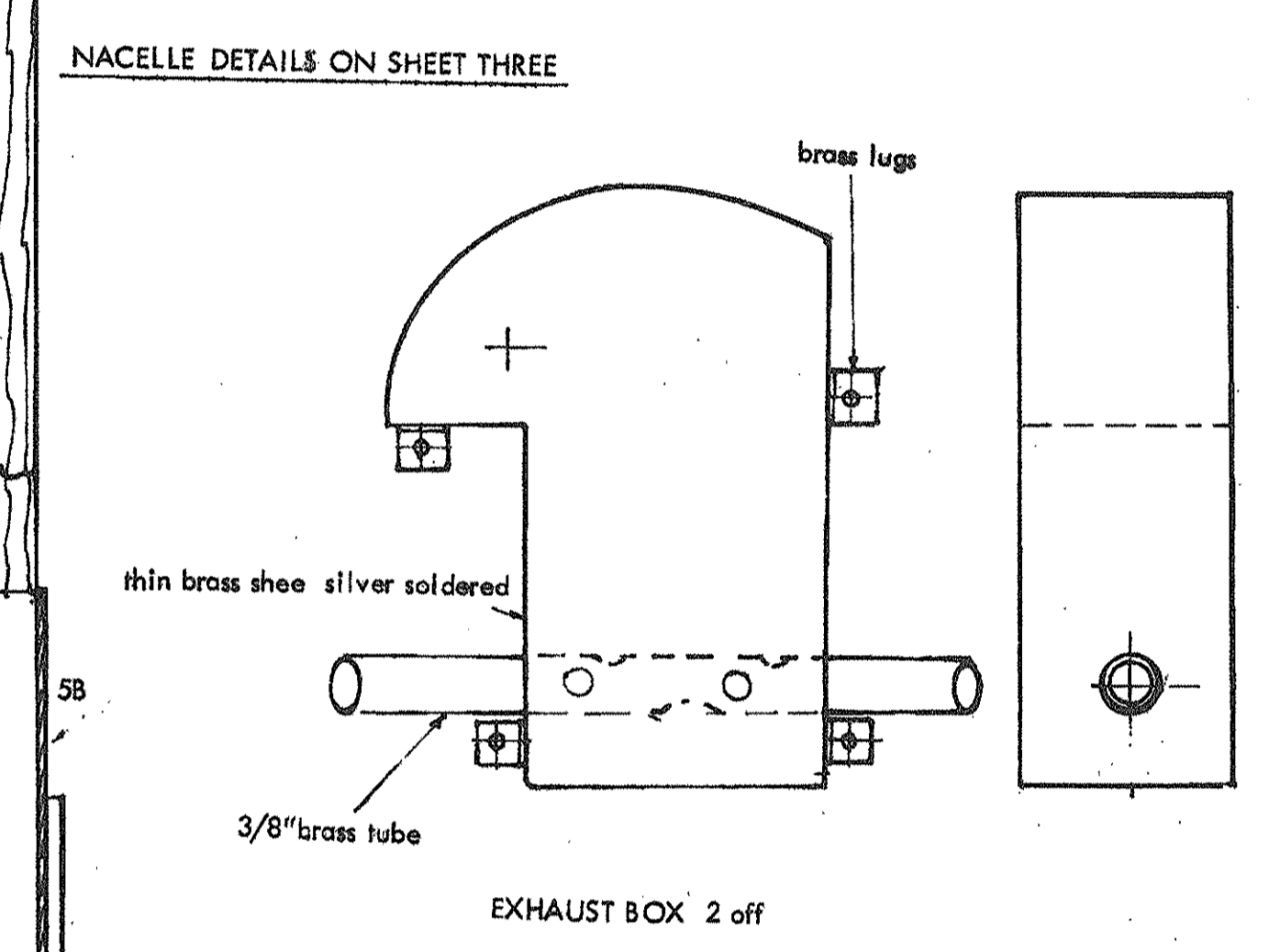
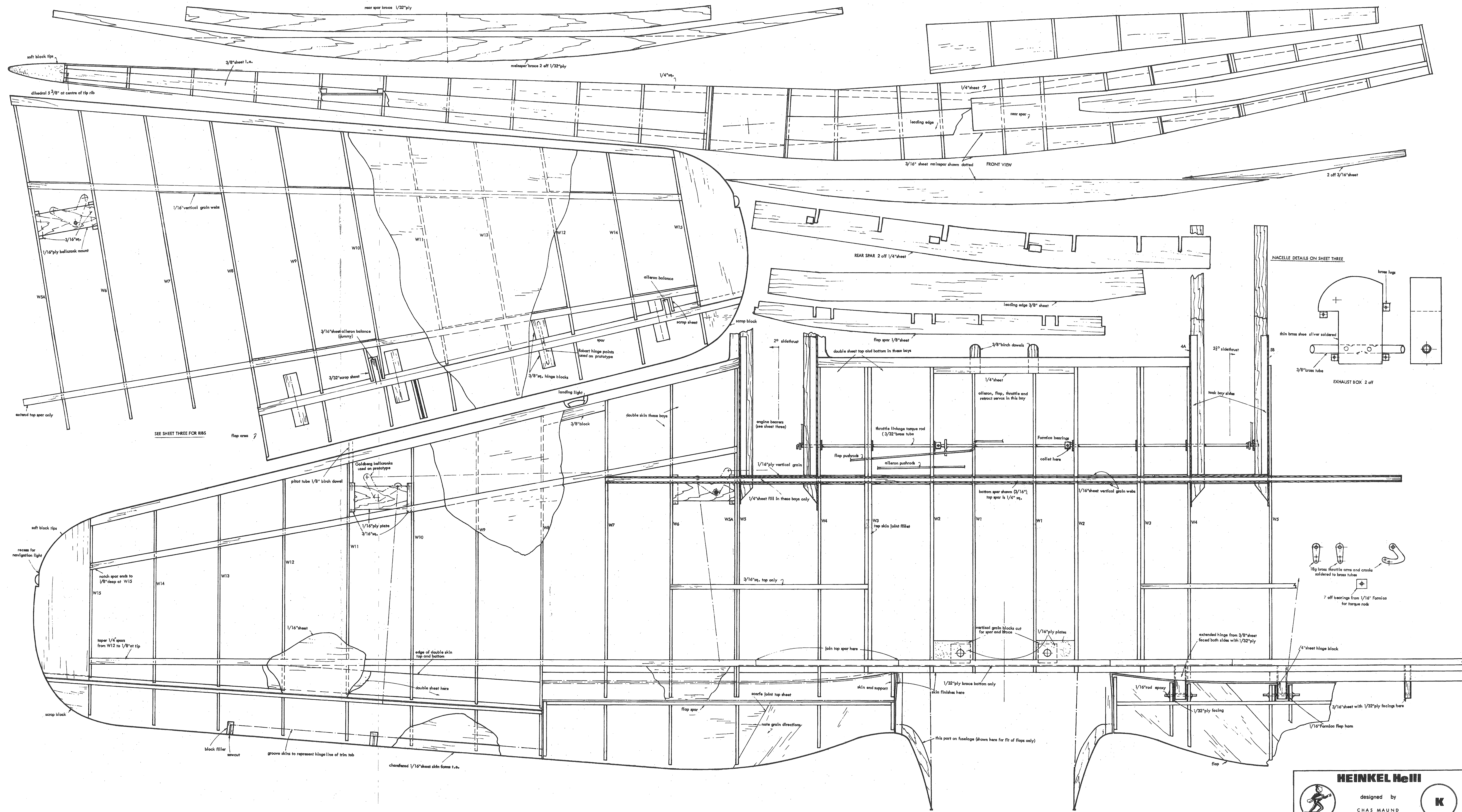


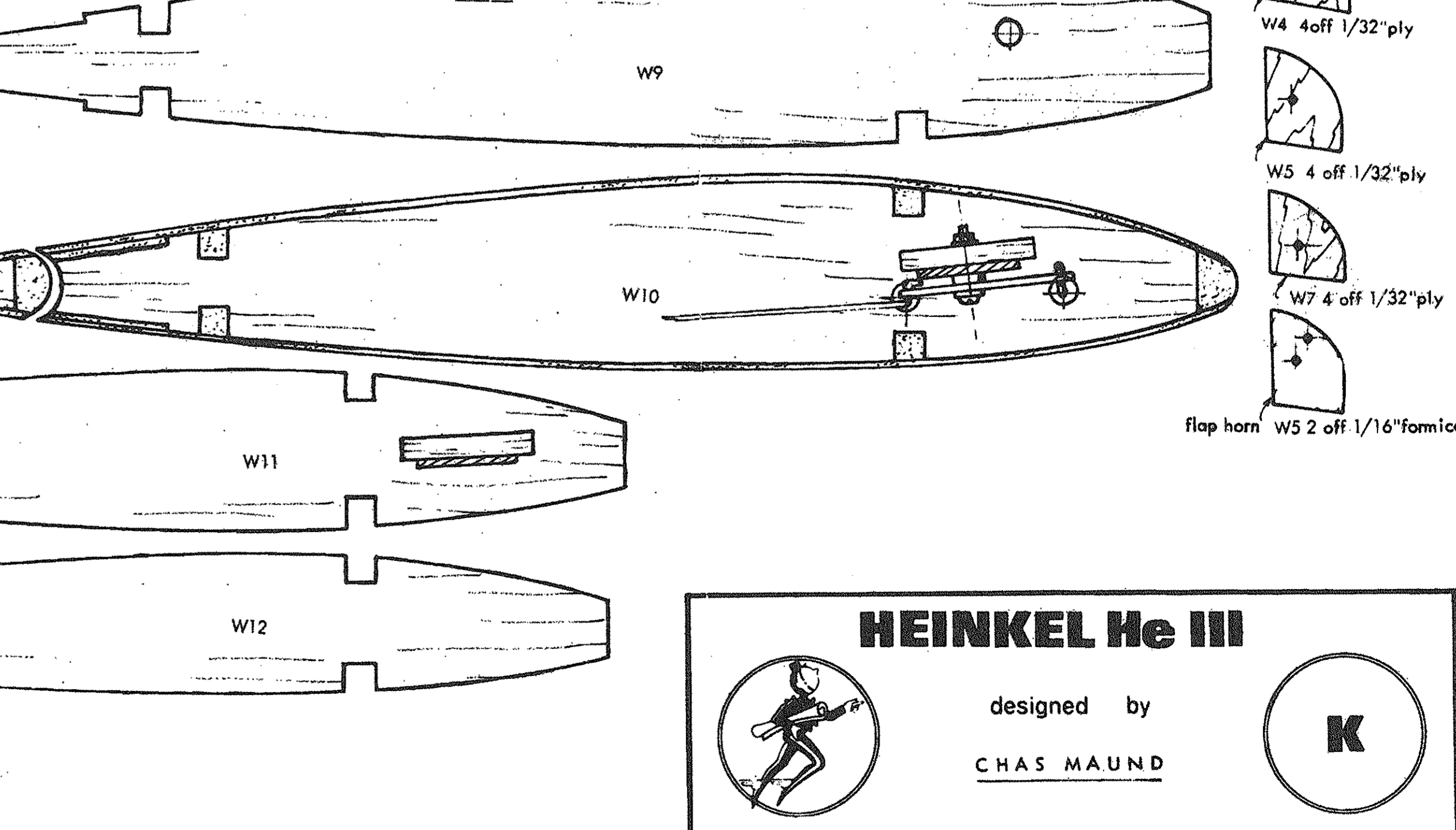
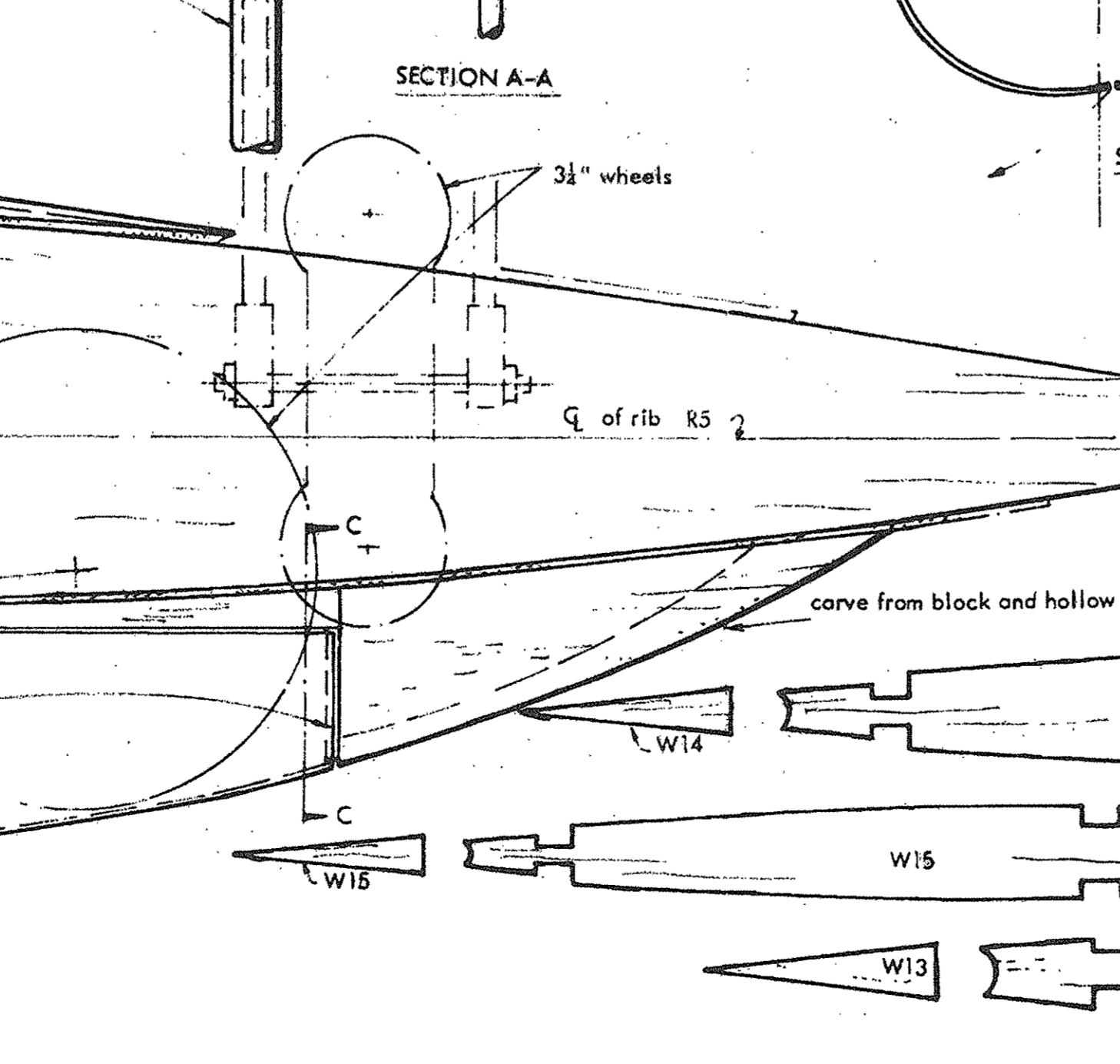
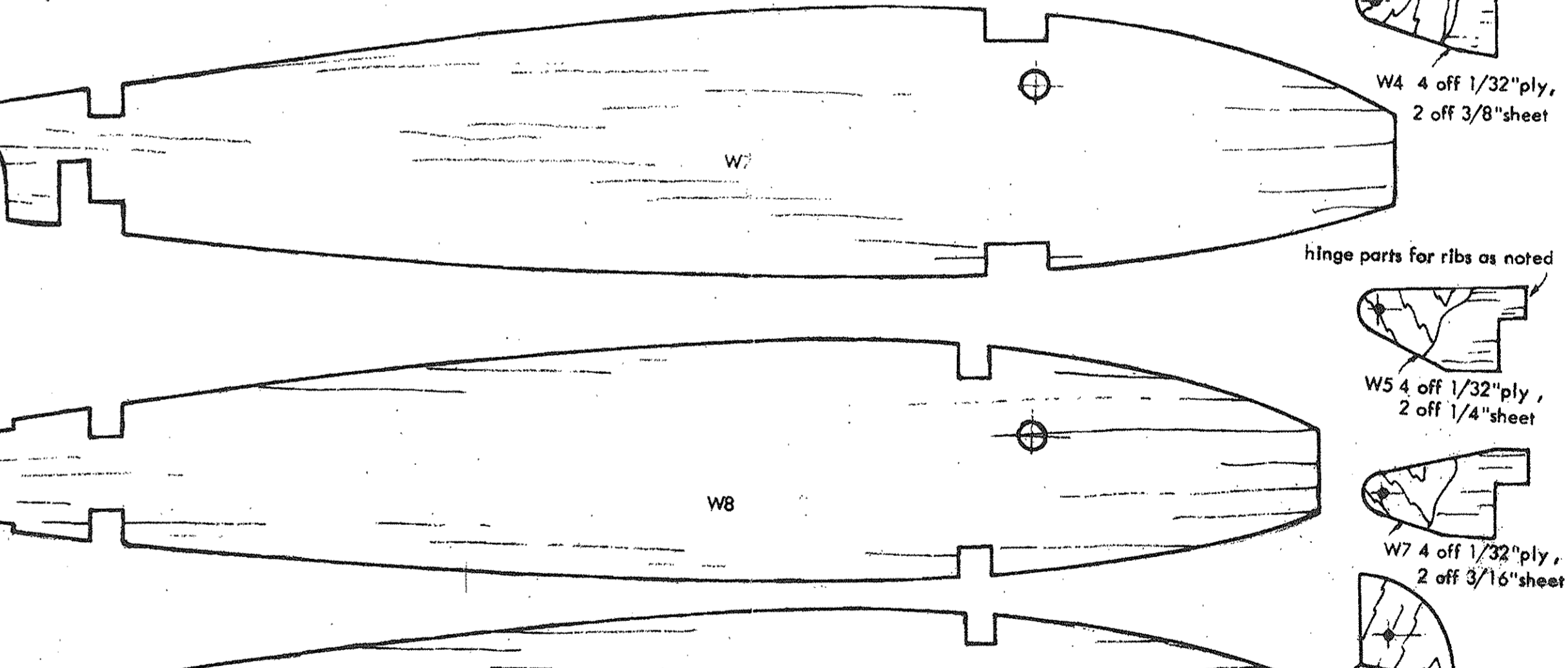
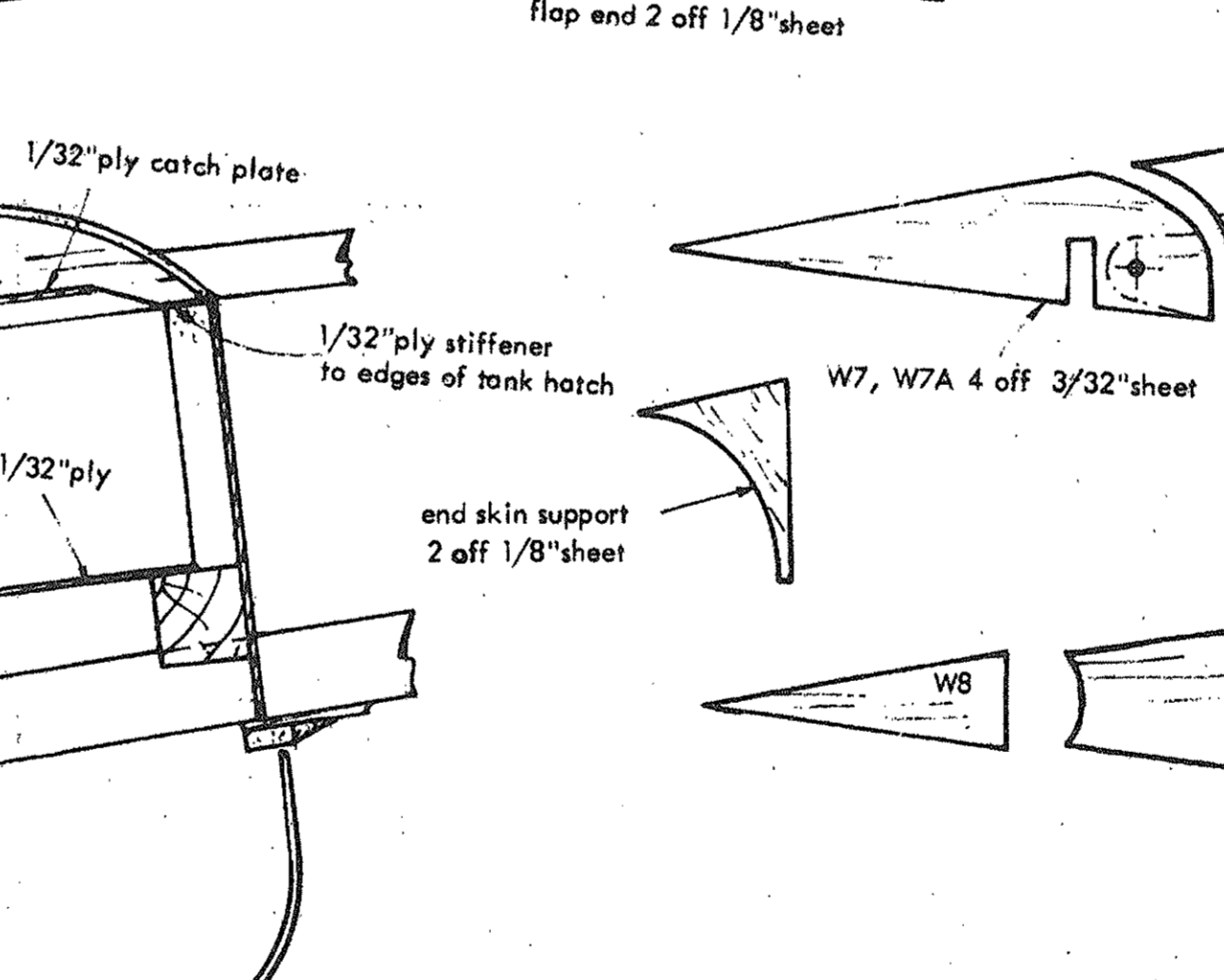
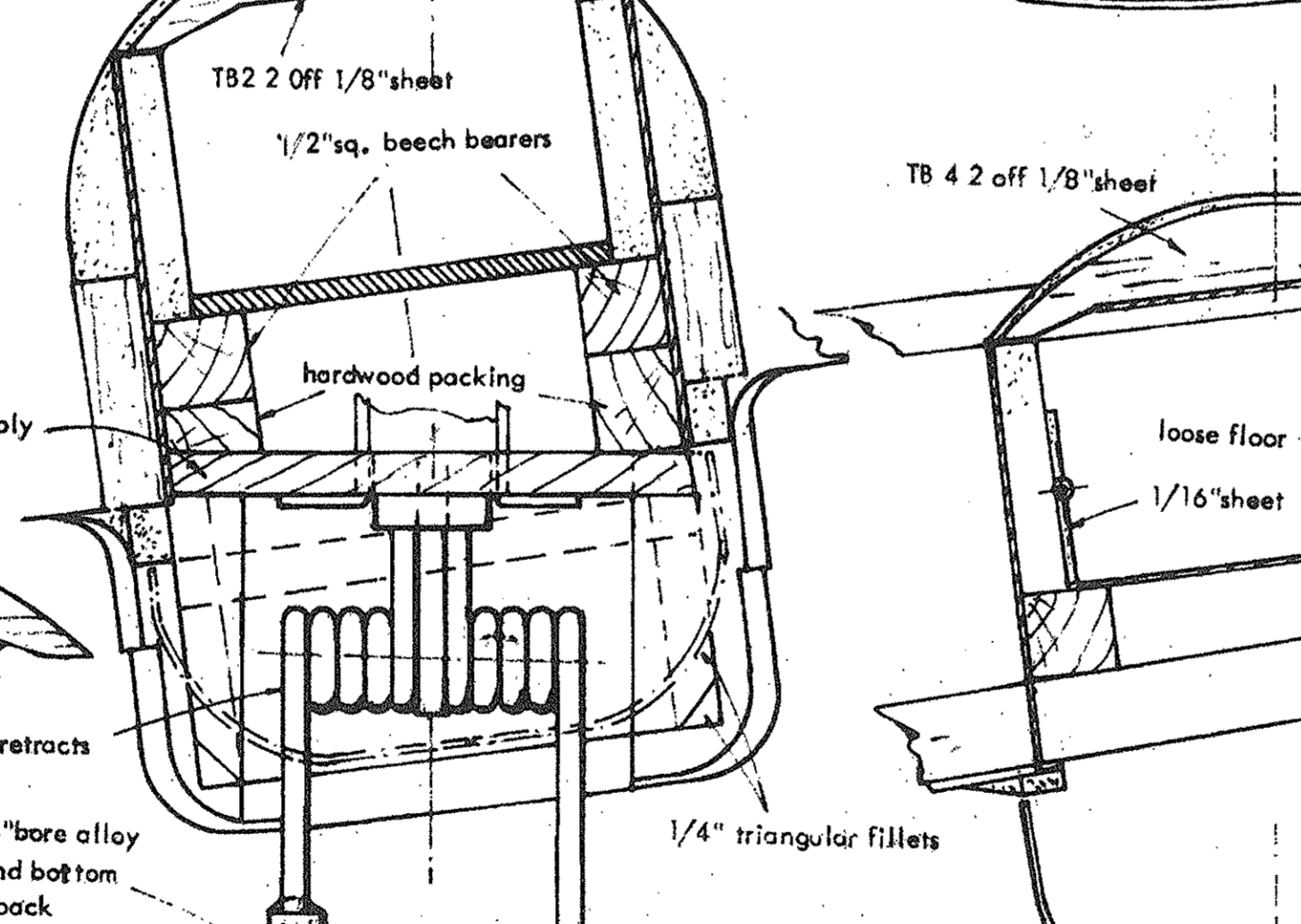
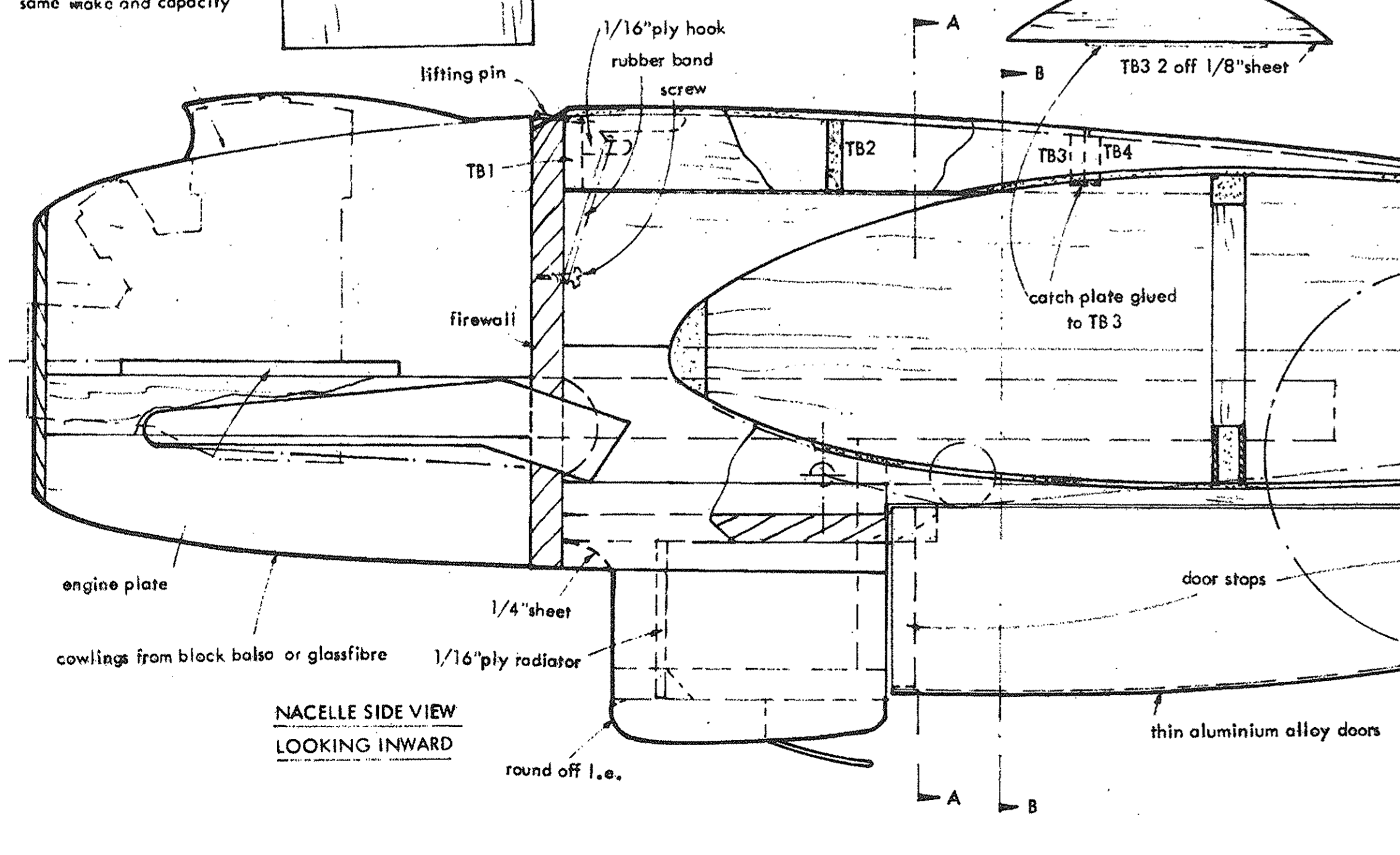
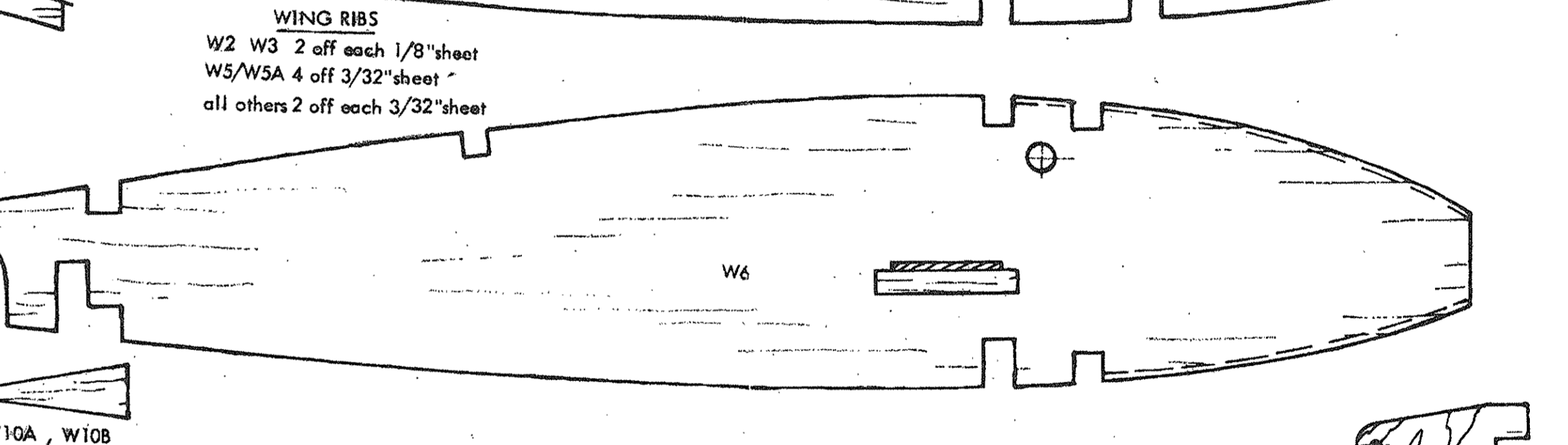
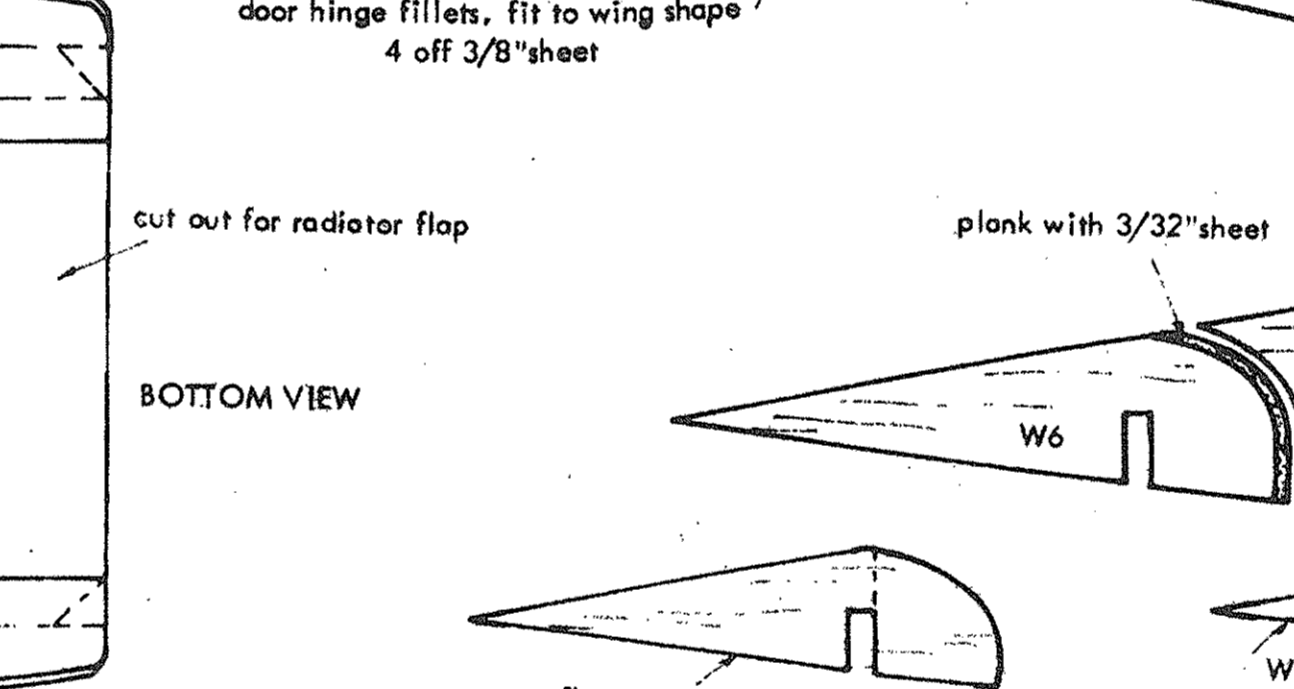
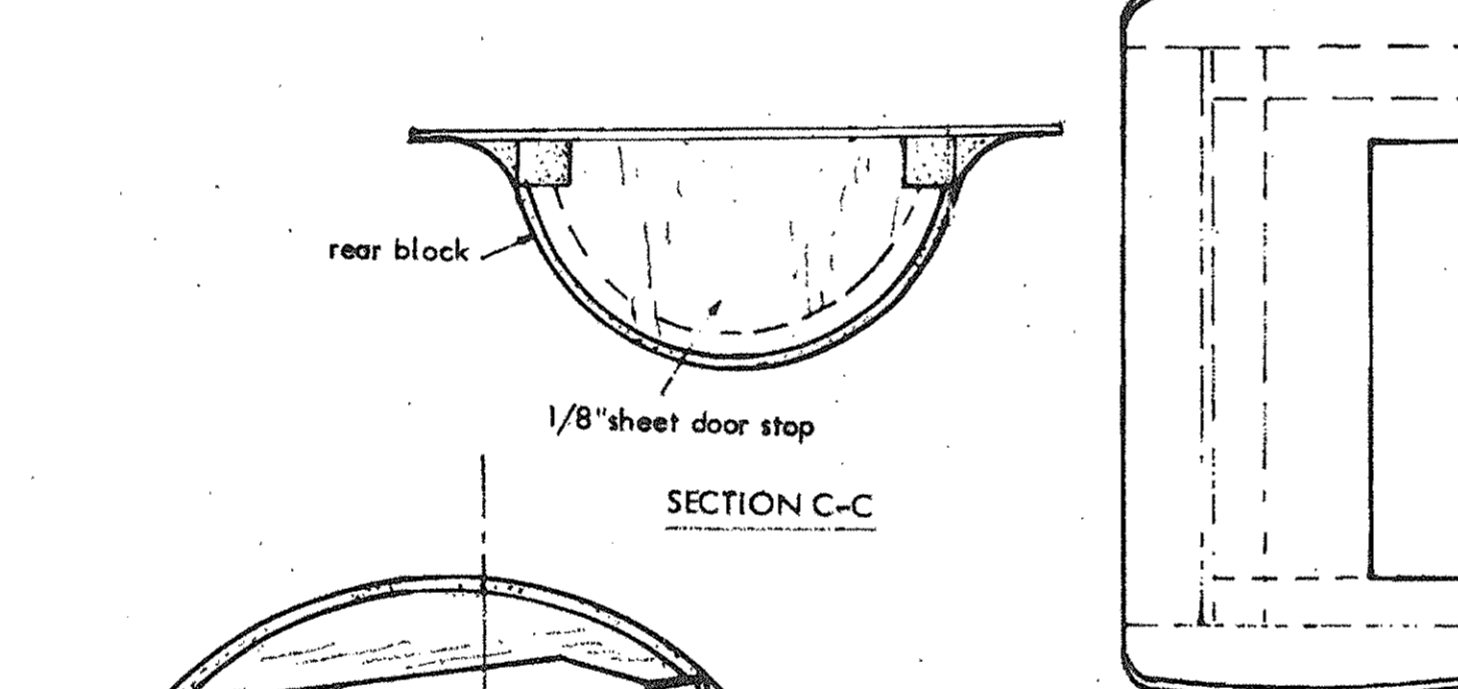
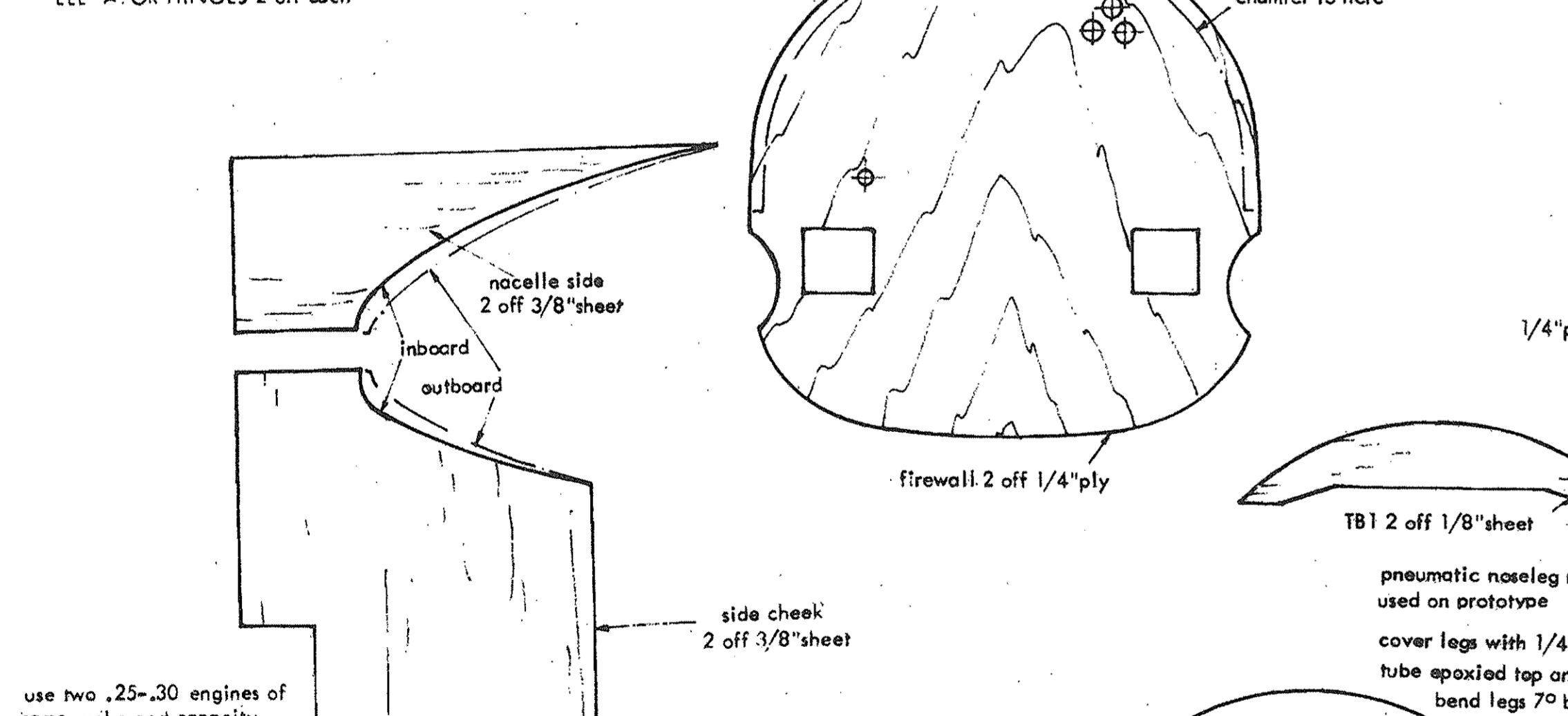
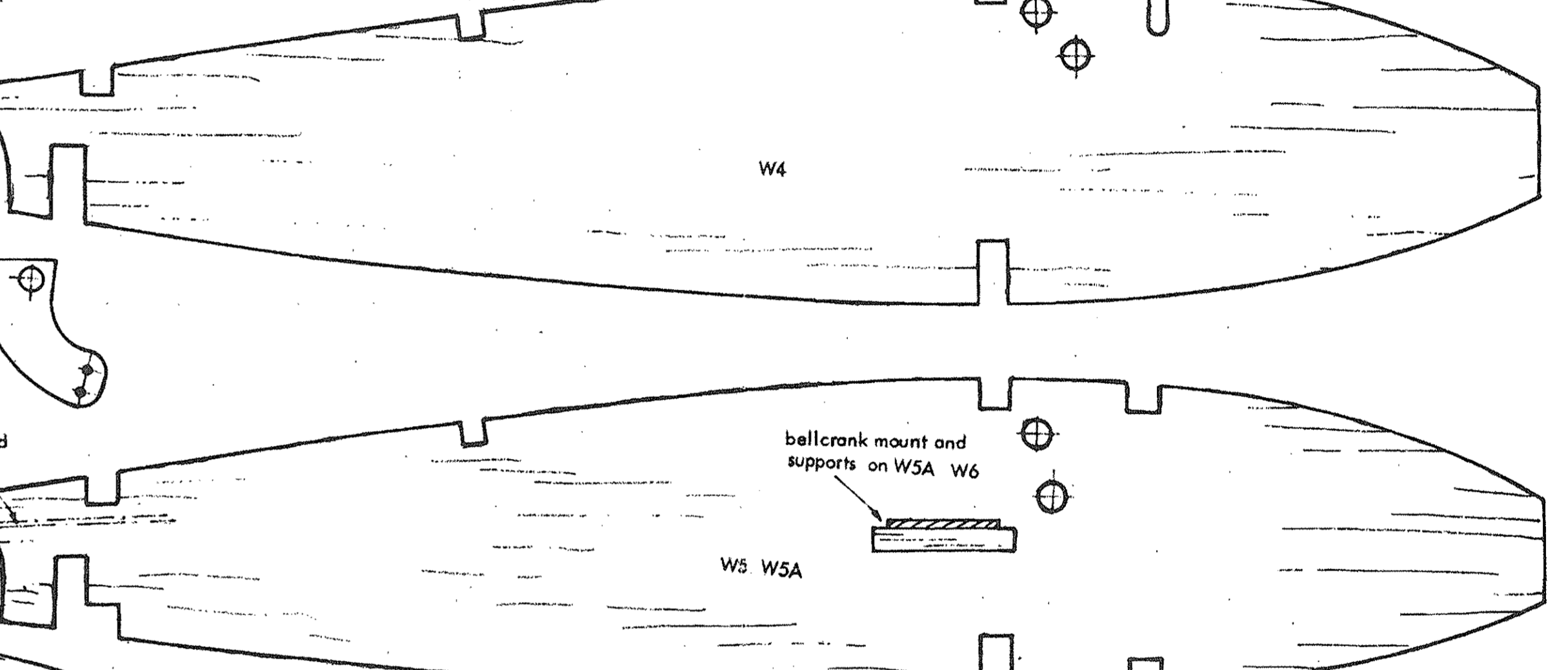
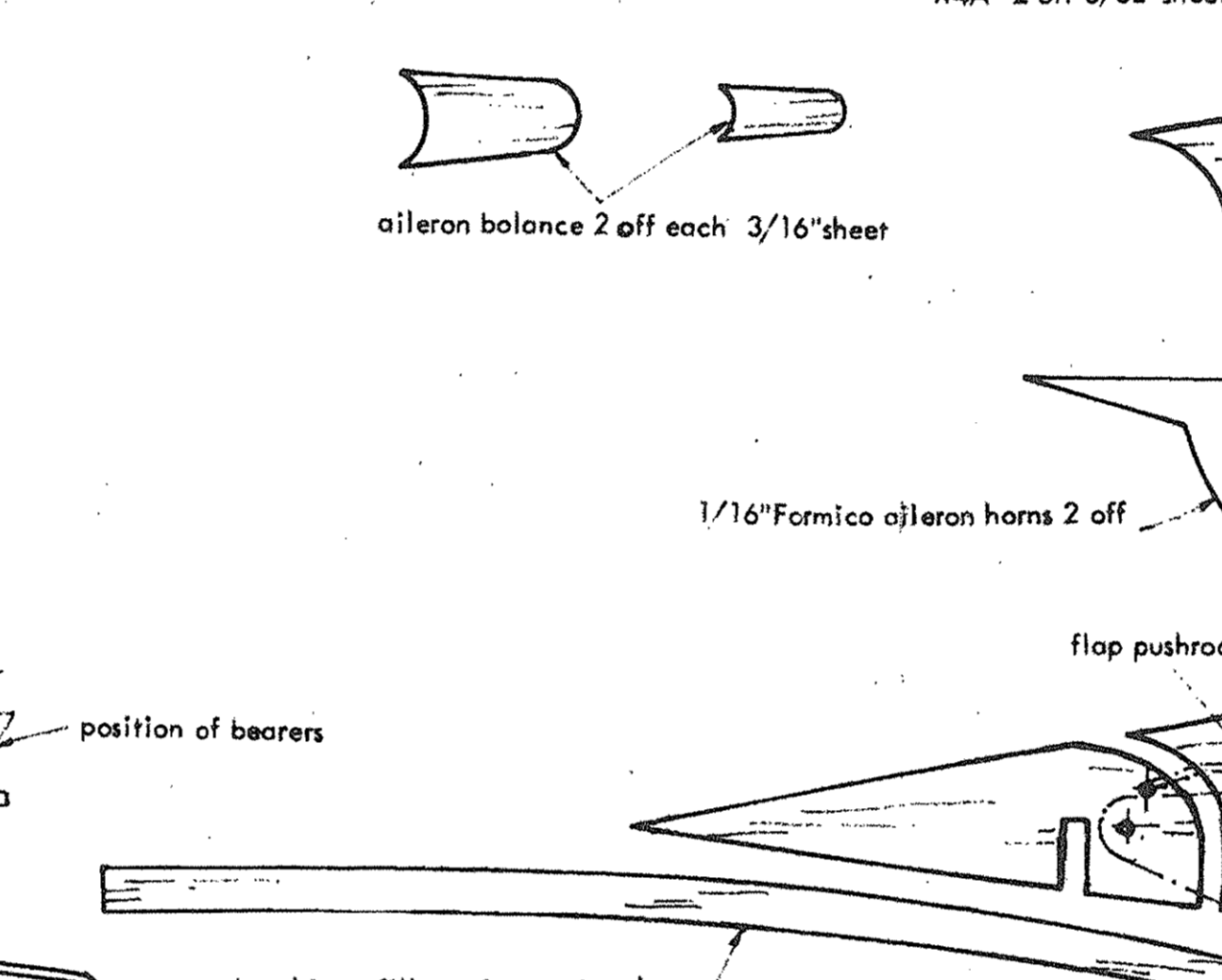
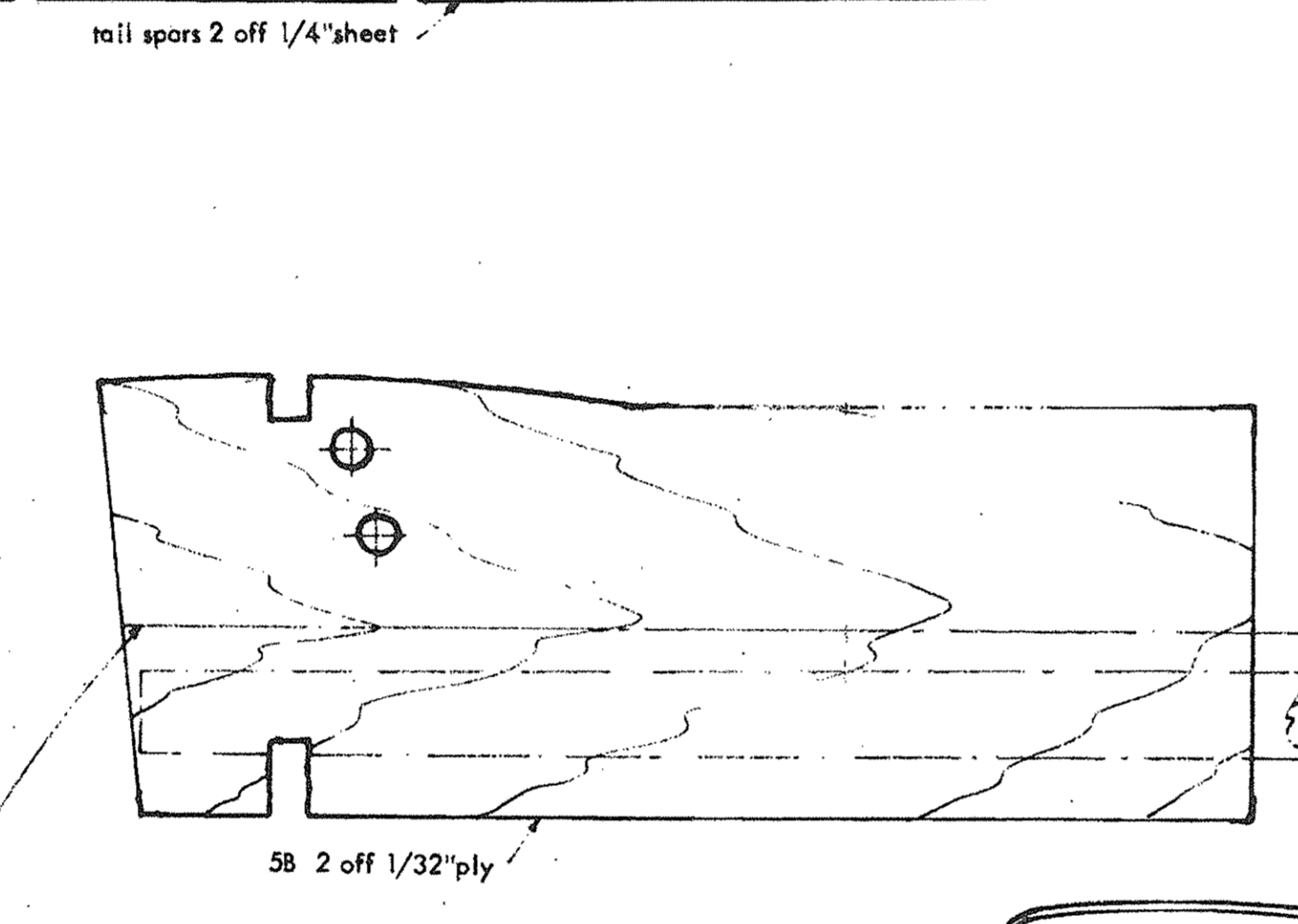
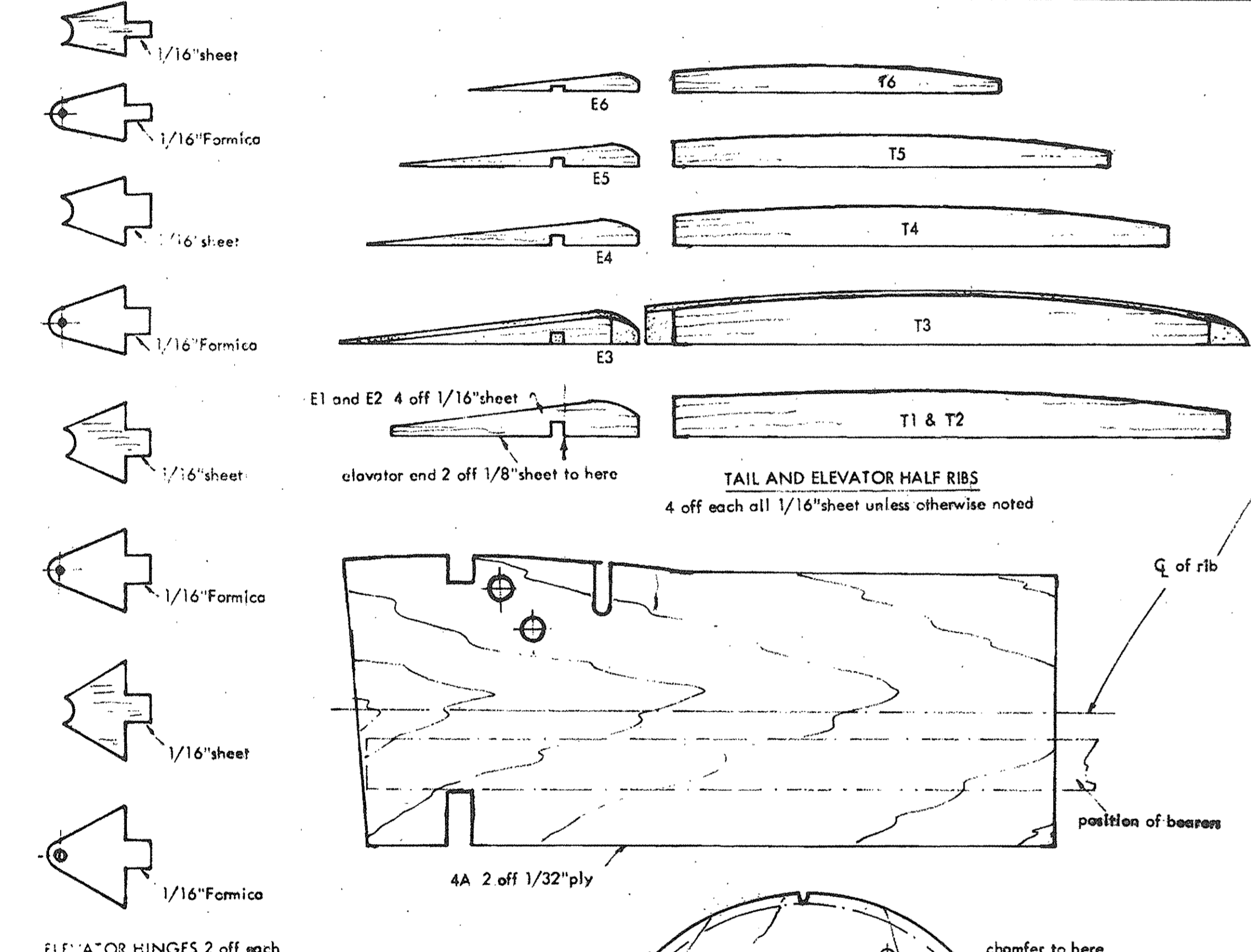
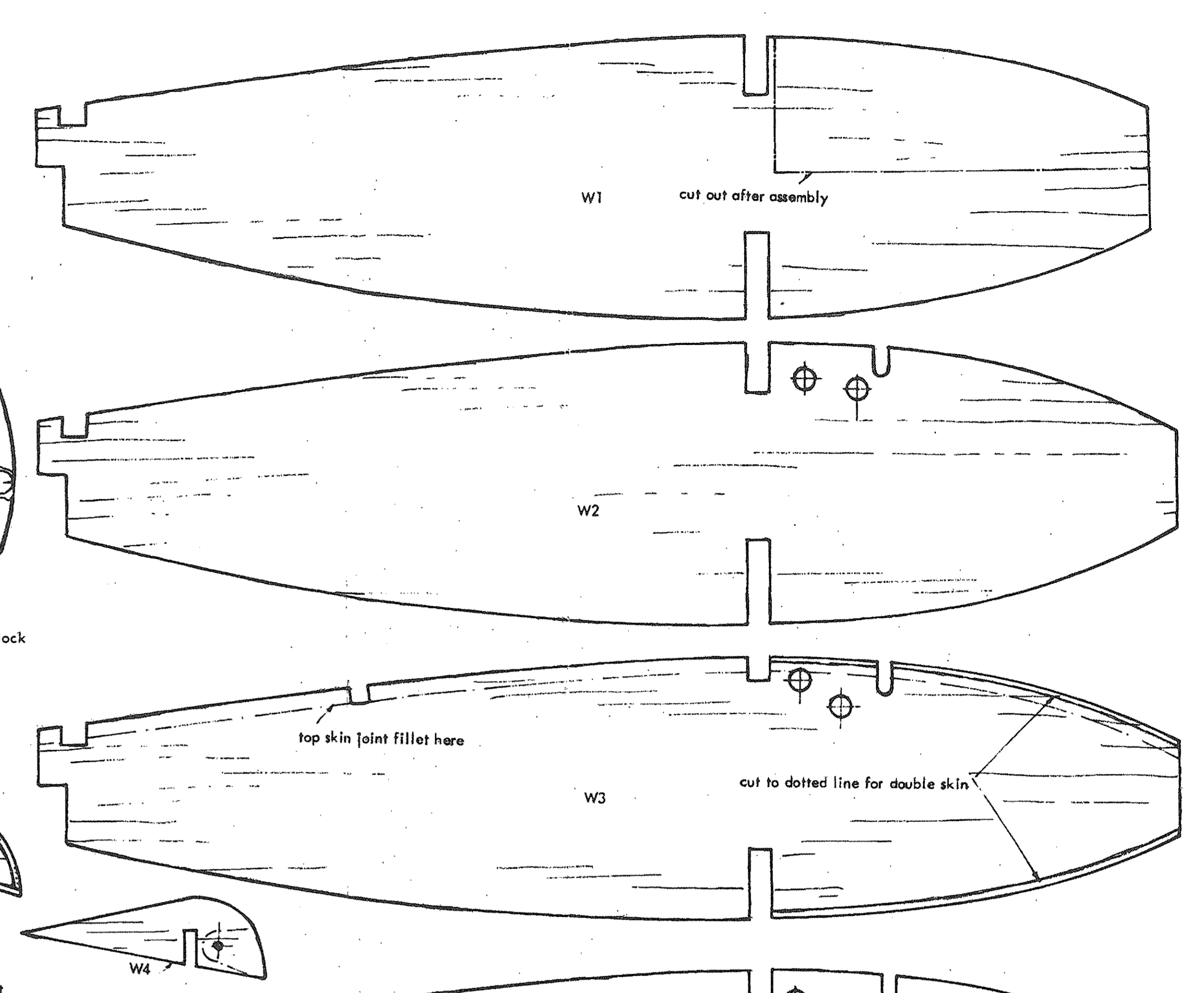
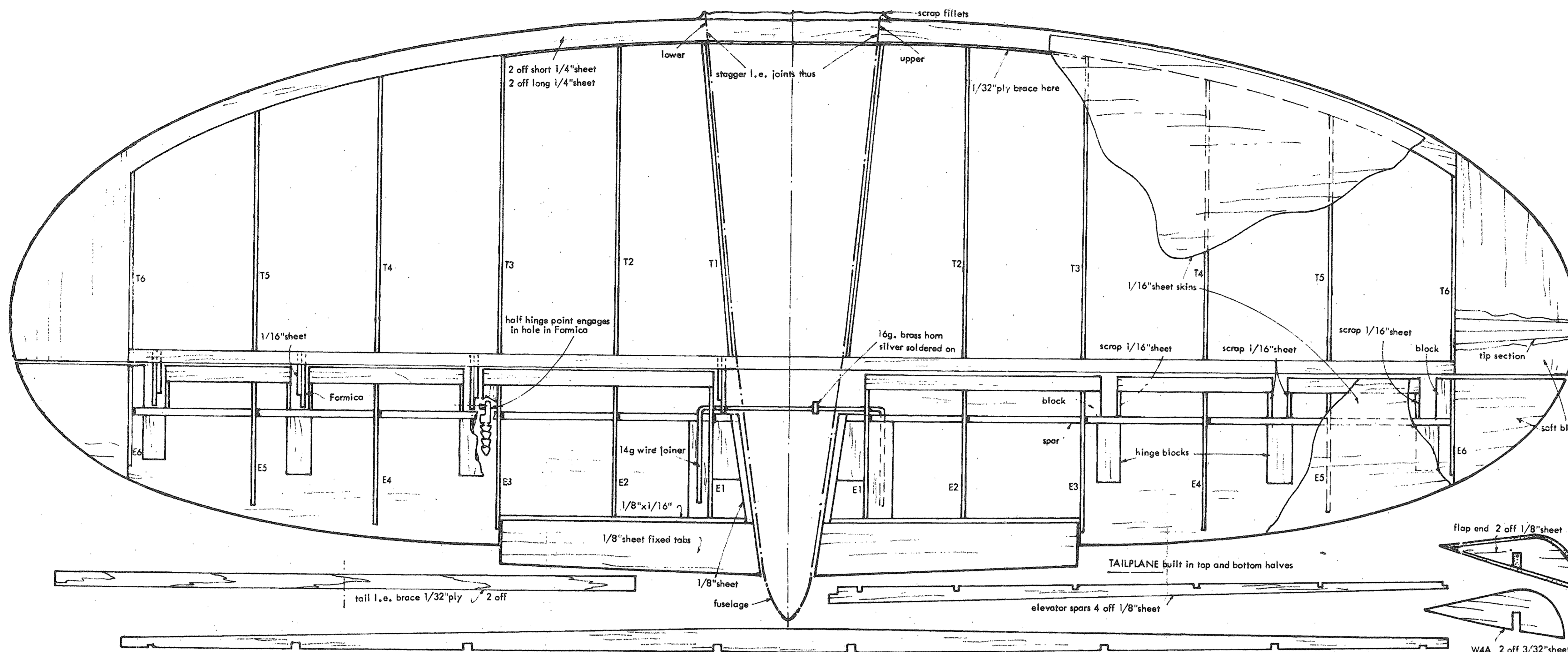
CONTROL THROWS  
 elevator 3/16" up, 3/8" down  
 elevator 7/8" up, 3/8" down  
 rudder 1" each side  
 SCALE REFERENCE  
 M.A.P. DRAWING No. 2926

A 74 (218mm) SPAN MODEL FOR TWO SIMILAR .30 ENGINES AND 6 FUNCTION I/C

**HEINKEL He III**  
 designed by  
 CHAS MAUND

The Radio Modeller Plans Service  
 Wolsey House, Wolsey Road, Hemel Hempstead Herts.





**HEINKEL He III**  
 designed by  
 CHAS MAUND

The Radio Modeller Plans Service  
 Wolsey House Wolsey Road Hemel Hempstead, Herts.