

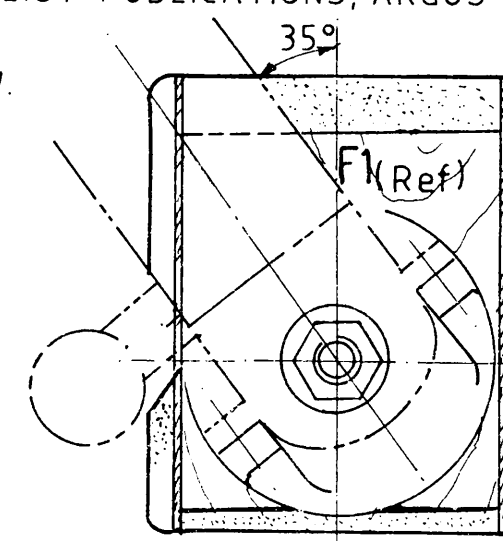
GULP!

THROWS:-ELEVATOR 5/32" EACH WAY.
AILERON 5/16" EACH WAY.
A.U.W. ABOUT 3lbs.

DESIGNED BY JOHN RUTTER.

FLYING WING FOR 3" H. R/C. & .15-.29 MOTORS.

FRONT VIEW.



ENGINE CANTED AT 35° TO THE RIGHT TO CLEAR SILENCER

WING TIP- NOTE WASHOUT CARVED IN UNDERSIDE

3/16" SHEET FIN.

