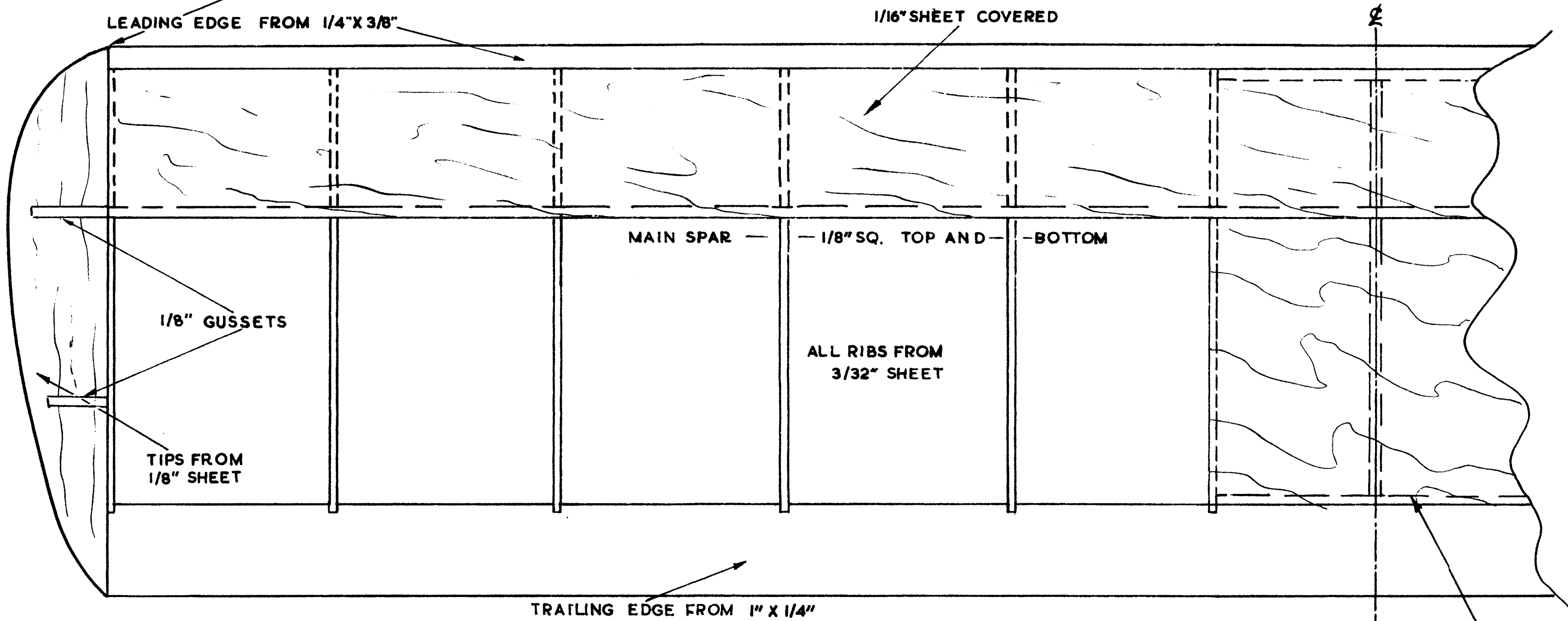
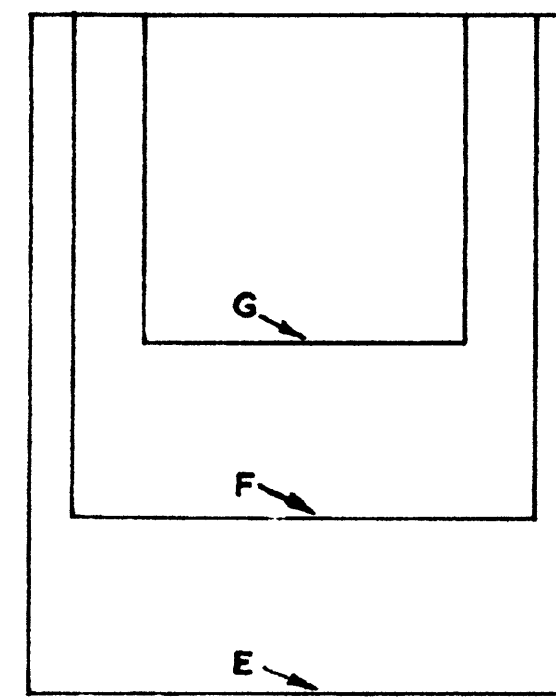


3/4" DIHEDRAL UNDER EACH TIP

ALL WING RIBS FROM 3/32" SHEET

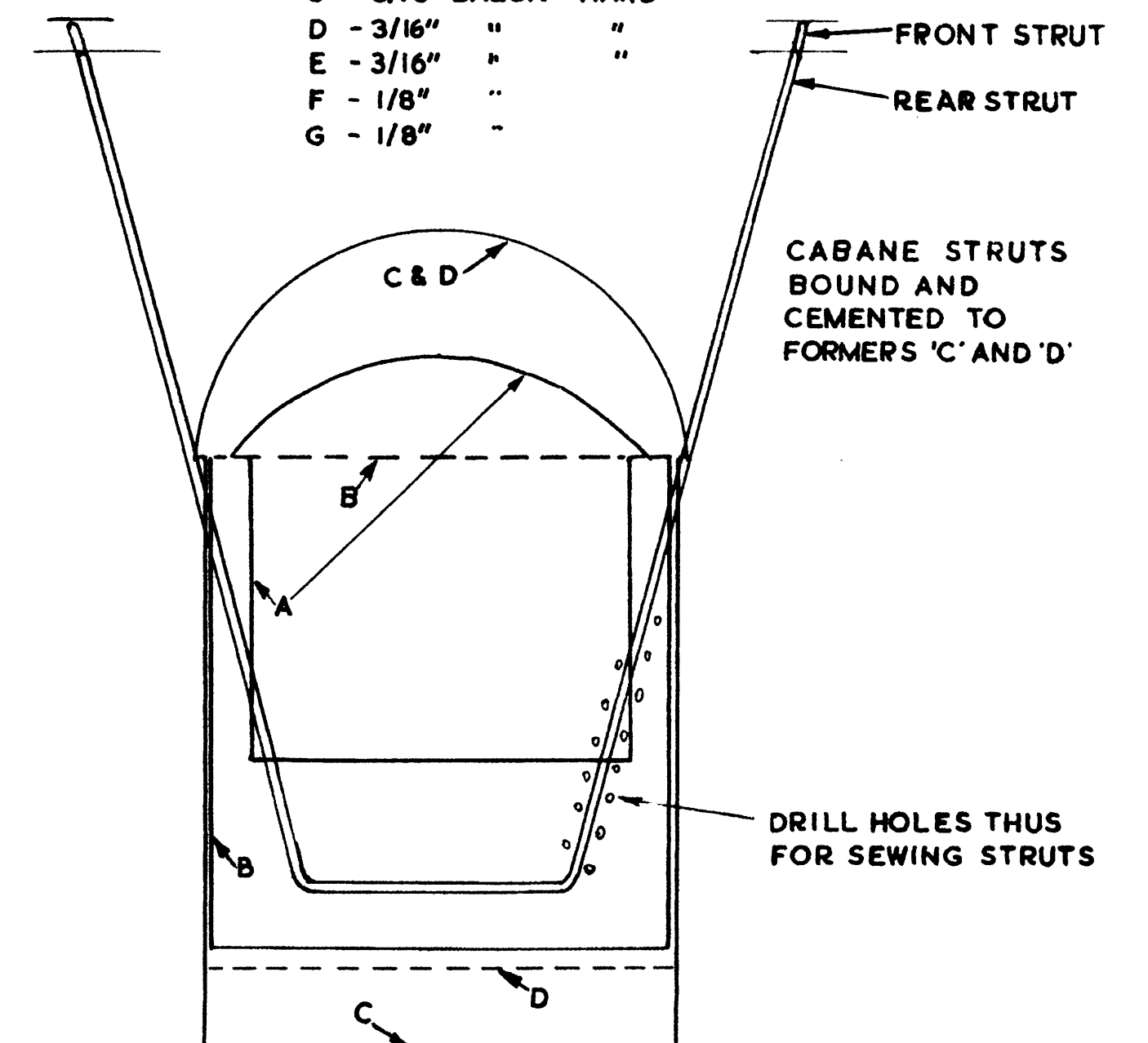


'E' 'F' AND 'G' TO HAVE CUT-OUTS TO SUIT SYSTEM TO BE USED

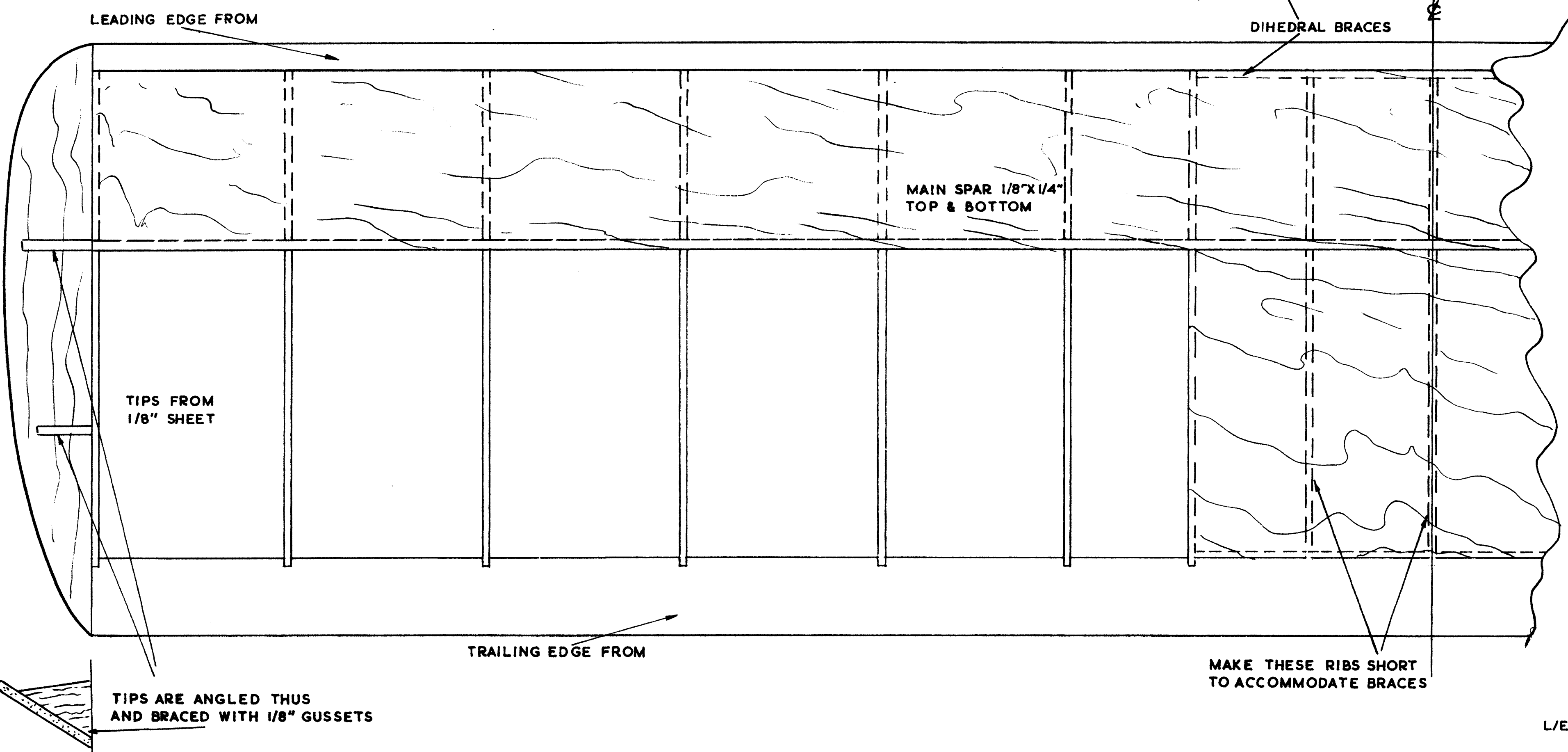
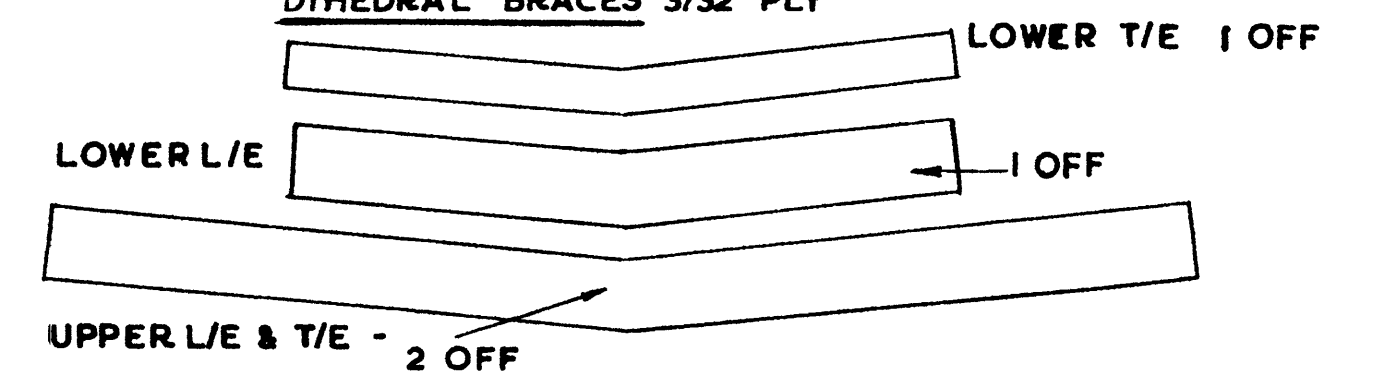


FORMERS

- A - 3/16" PLY
- B - 1/8" "
- C - 3/16" Balsa - HARD
- D - 3/16" " "
- E - 3/16" " "
- F - 1/8" " "
- G - 1/8" " "

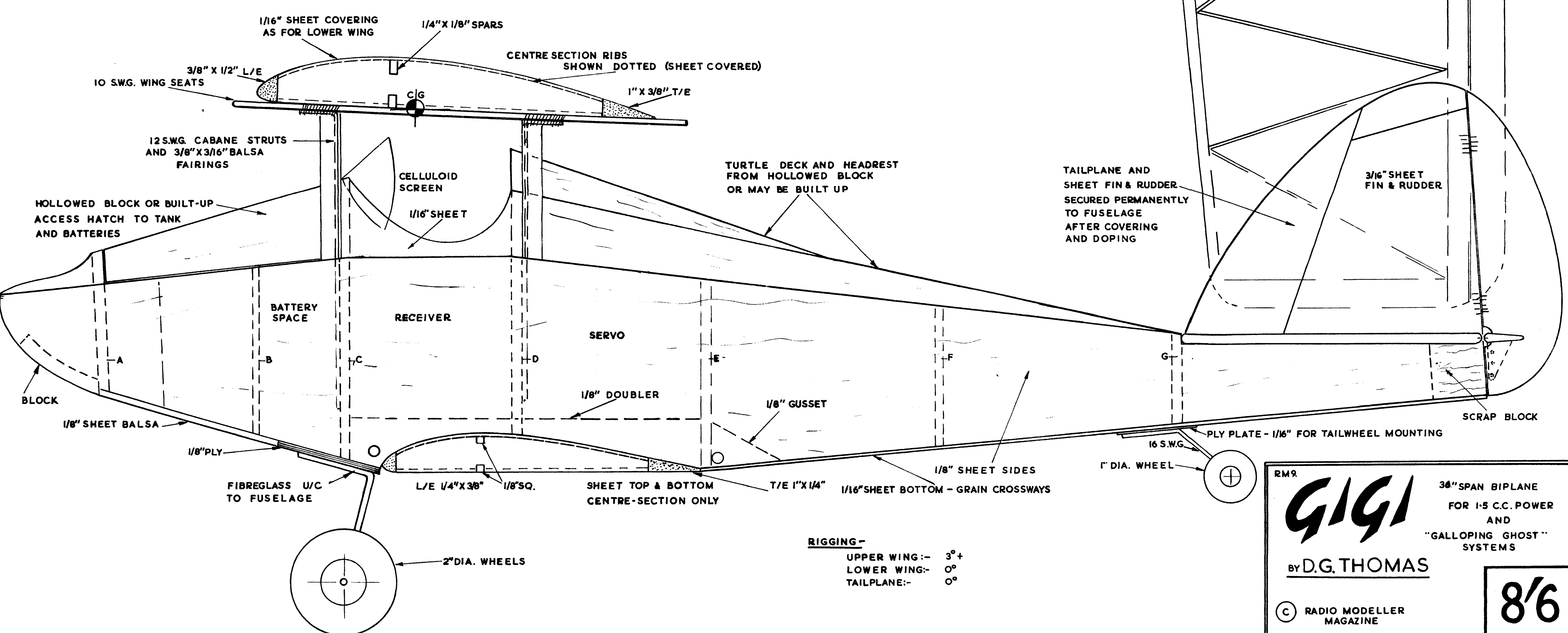
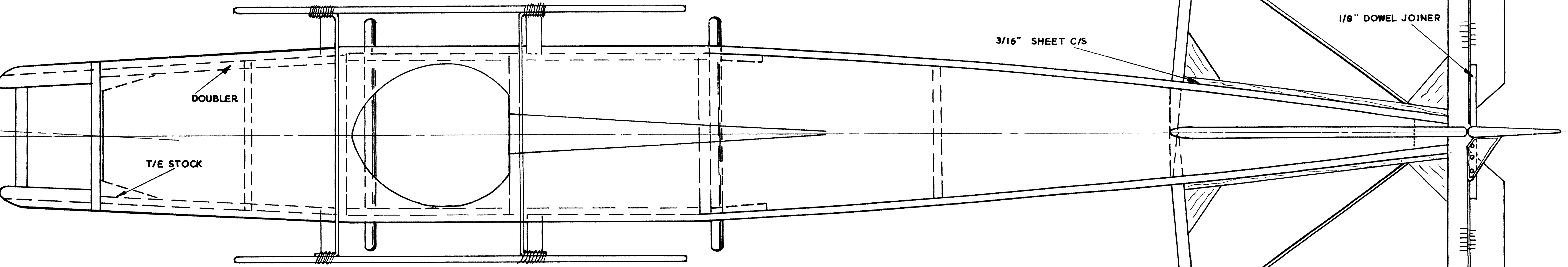
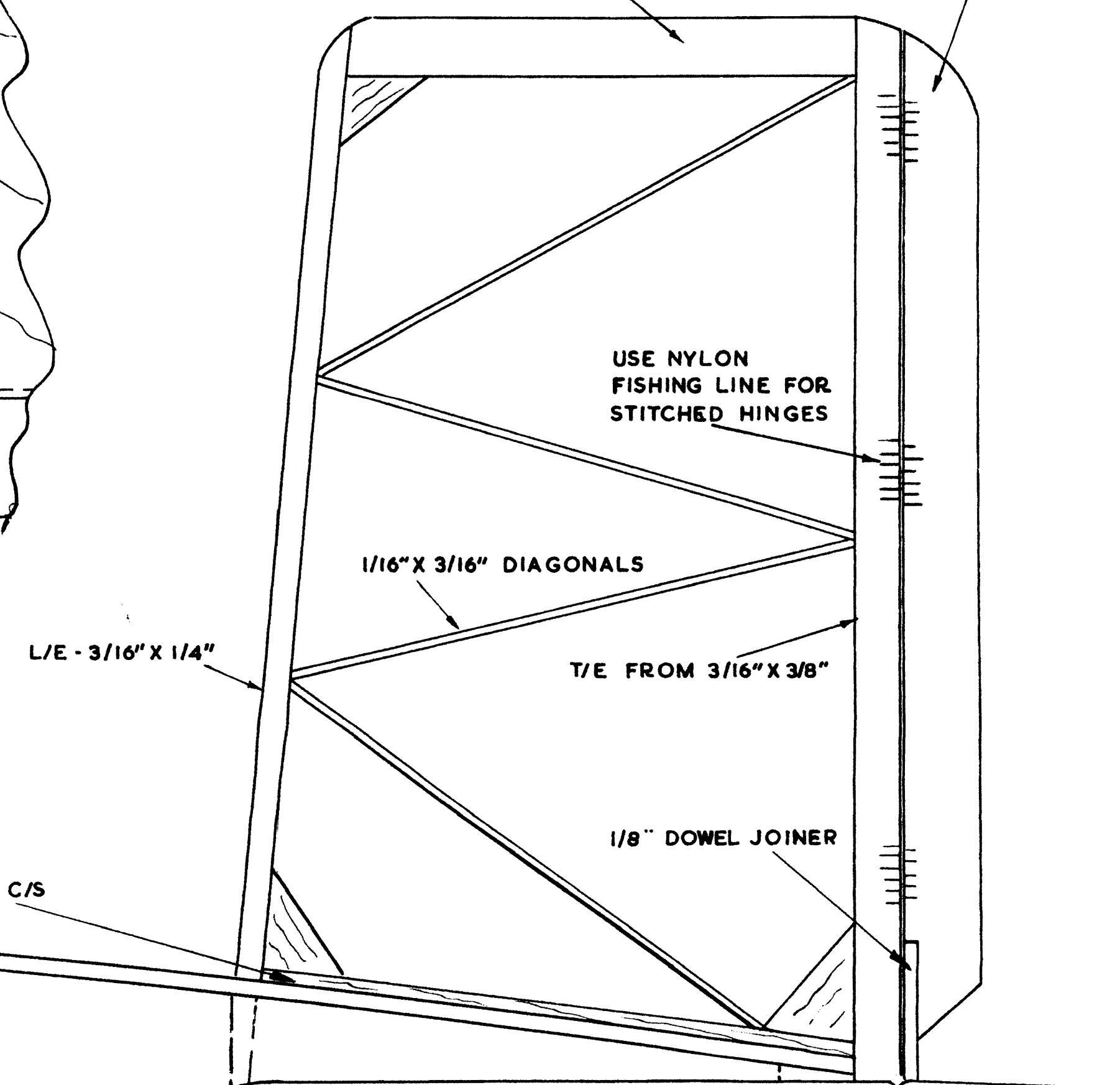


DIHEDRAL BRACES 3/32" PLY



3/16" X 1/2"

1/8" X 5/8" ELEVATOR



RIGGING-

- UPPER WING:- 3°+
- LOWER WING:- 0°
- TAILPLANE:- 0°

RM9

GIGI

36" SPAN BIPLANE FOR 1-5 C.C. POWER AND "GALLOPING GHOST" SYSTEMS

BY D.G. THOMAS

© RADIO MODELLER MAGAZINE

8/6