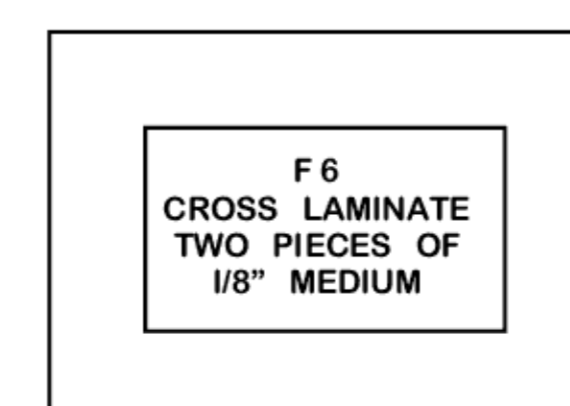
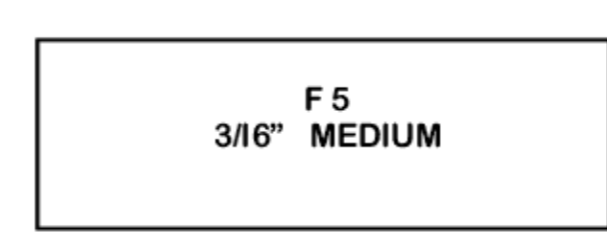
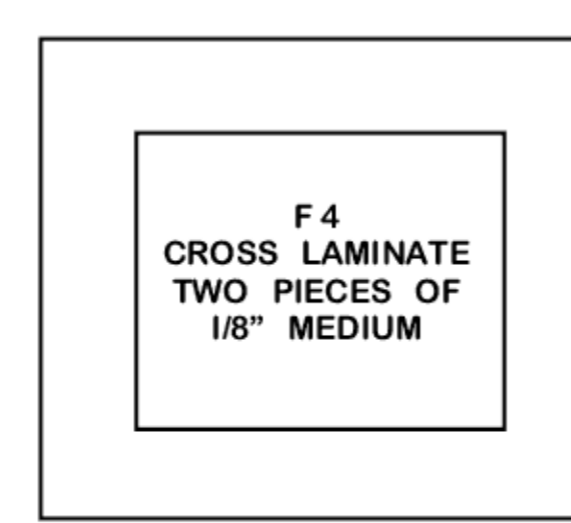
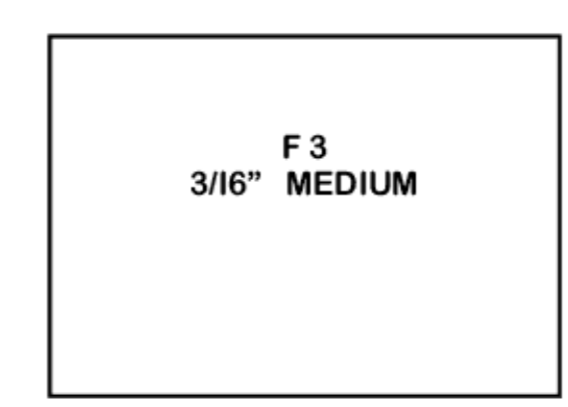
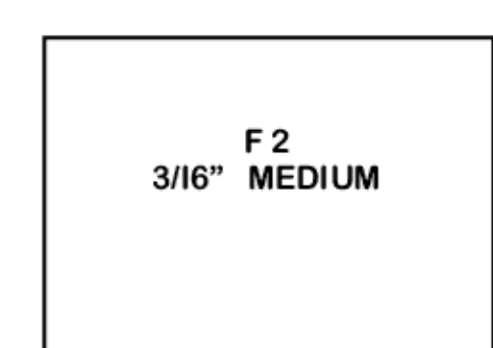
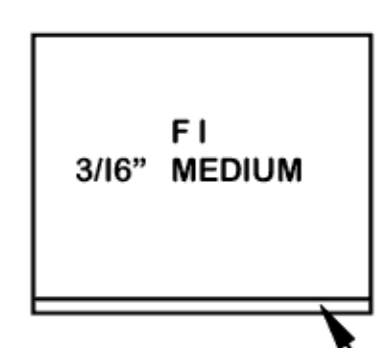


NOTE
 FOR ESCAPEMENT FLYING THE FOLLOWING MODIFICATIONS ARE NEEDED -
 DIHEDRAL TO BE 3 3/4" UNDER ONE TIP i.e. 12° TOTAL ADJUST DIHEDRAL BRACES TO SUIT.
 DEEPEN FLOATS BY 1/2" ADD 1/8" PLY FORMER BETWEEN F4 & F5 TO MOUNT ESCAPEMENT.



RM55
"Das Ghosten Flugboot" 104
 DESIGNED & DRAWN BY DEREK WALTON
 36" SPAN FLYING BOAT FOR LIGHTWEIGHT G.G. OR ESCAPEMENTS POWER .049 TO .09 GLOW ENGINES
 © RADIO MOELLER 64 WELLINGTON RD HAMPTON HILL