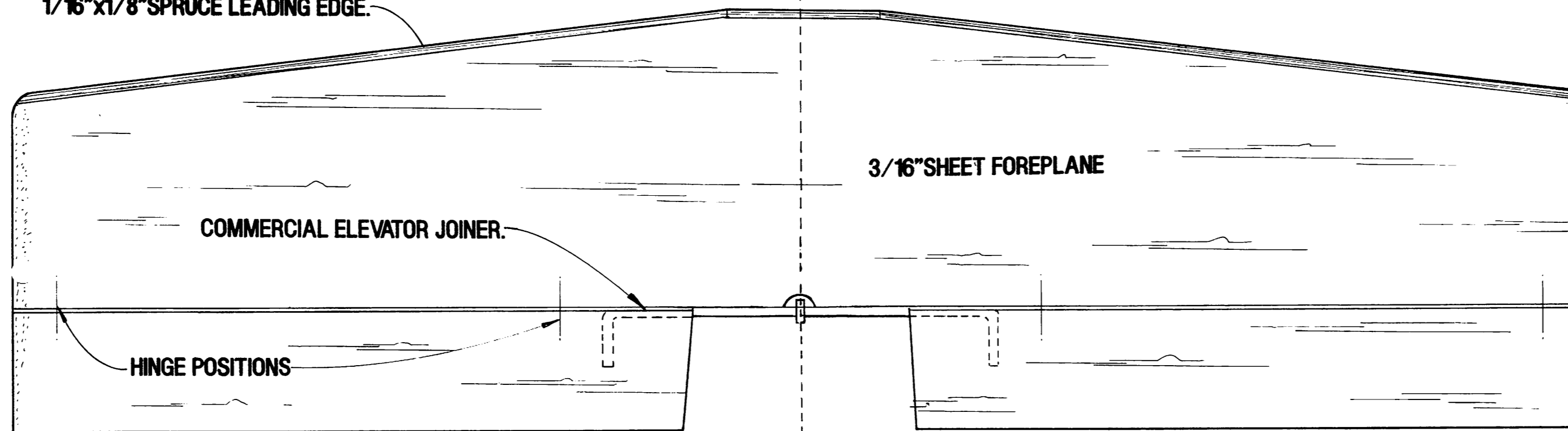
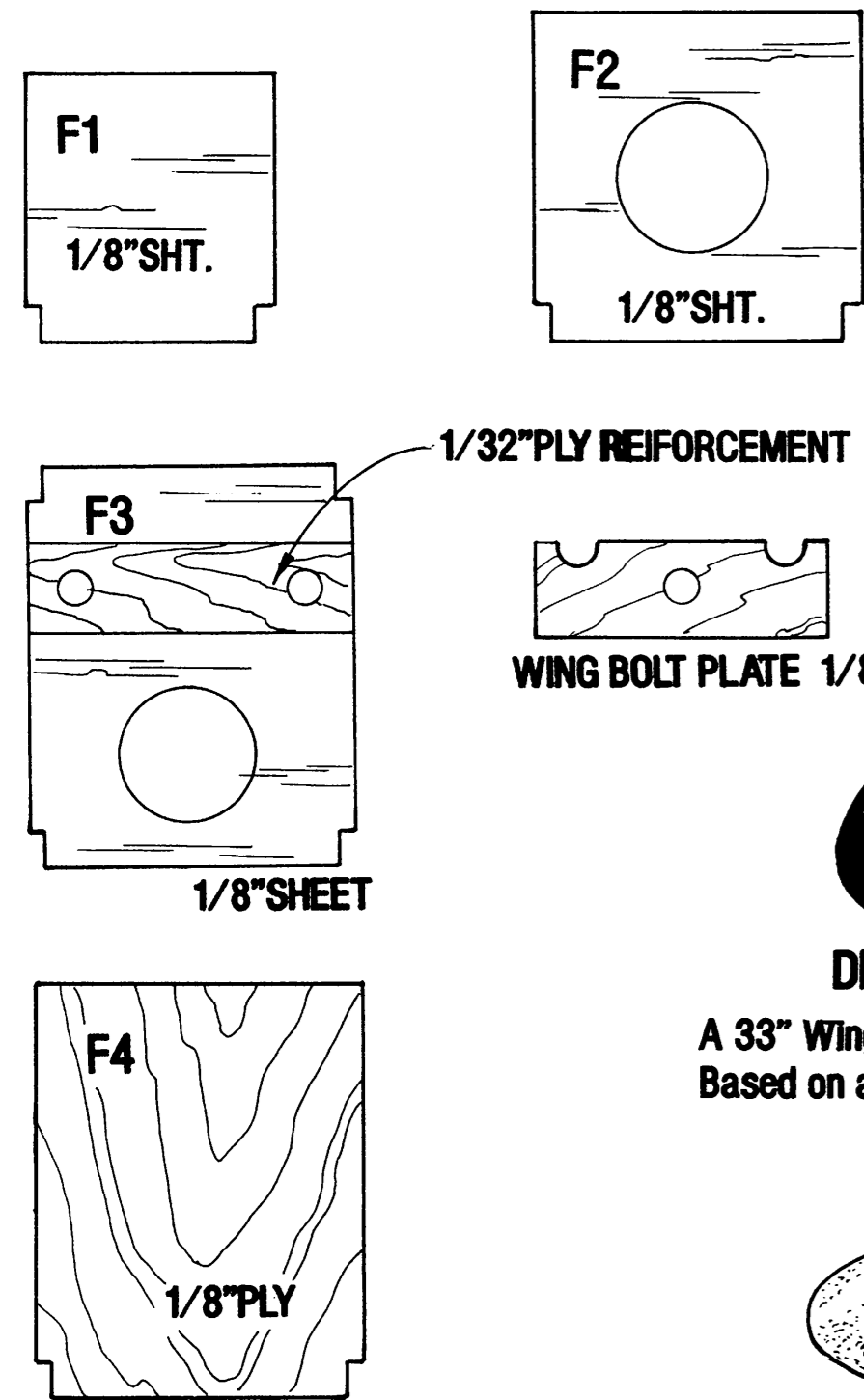


1/16"x1/8" SPRUCE LEADING EDGE.

▲ DENOTES 3/32" SHEET FUSELAGE SIDE.
△ DENOTES 3/32" SHEET DOUBLER.



Candice

DESIGNED BY GRAY
A 33" Wingspan canard for .049cu. in. motors and 2 channel Mini Radio.
Based on a 1972 freeflight design by Ray Malmstrom.

