

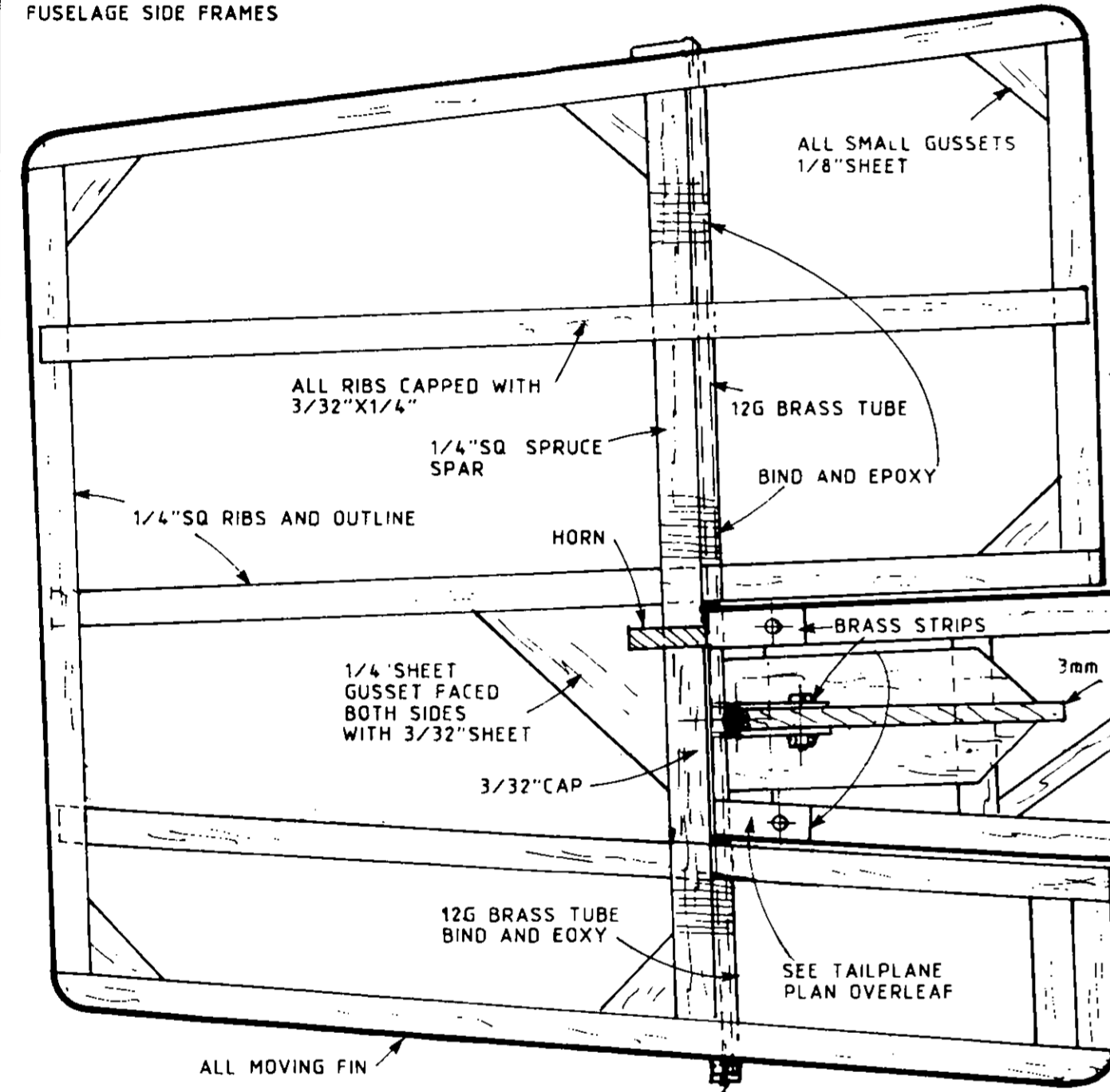
Bernhardt B2

BY ALEX WEISS
A 70" SPAN SCALEISHI MODEL FOR
40-46 FOUR STROKES AND
THREE FUNCTION RADIO CONTROL
ALL UP WEIGHT 4lb 4oz

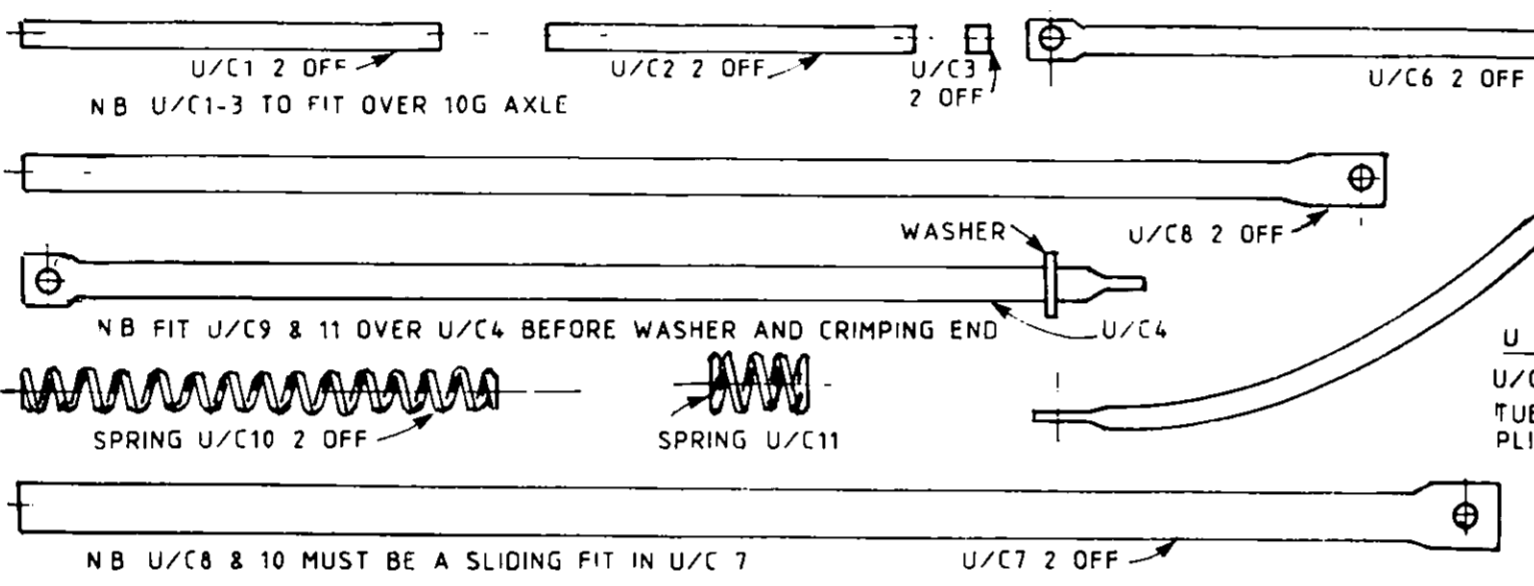
6

ALL WOODS ARE Balsa UNLESS OTHERWISE STATE
ALL SCREWS ARE SELF TAPS EXCEPT TAIL BOLTS

CONTINUE LONGERONS 93/4; SLIDE ONTO
TAIL END DETAIL BELOW TO COMPLETE
FUSELAGE SIDE FRAMES



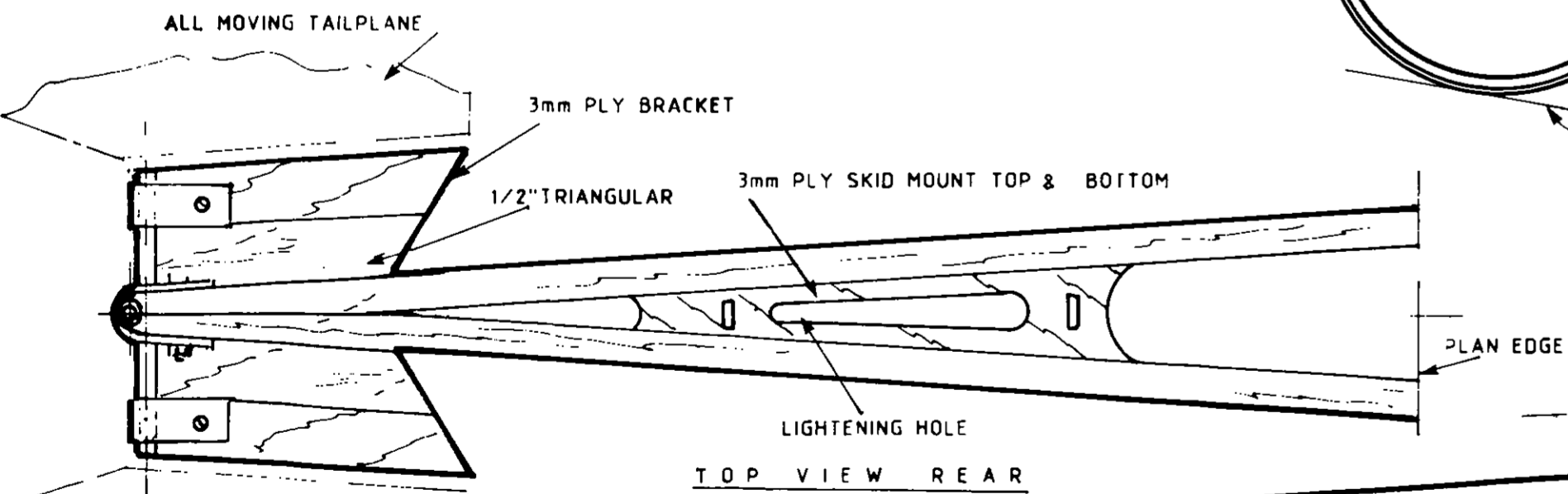
SIDE VIEW



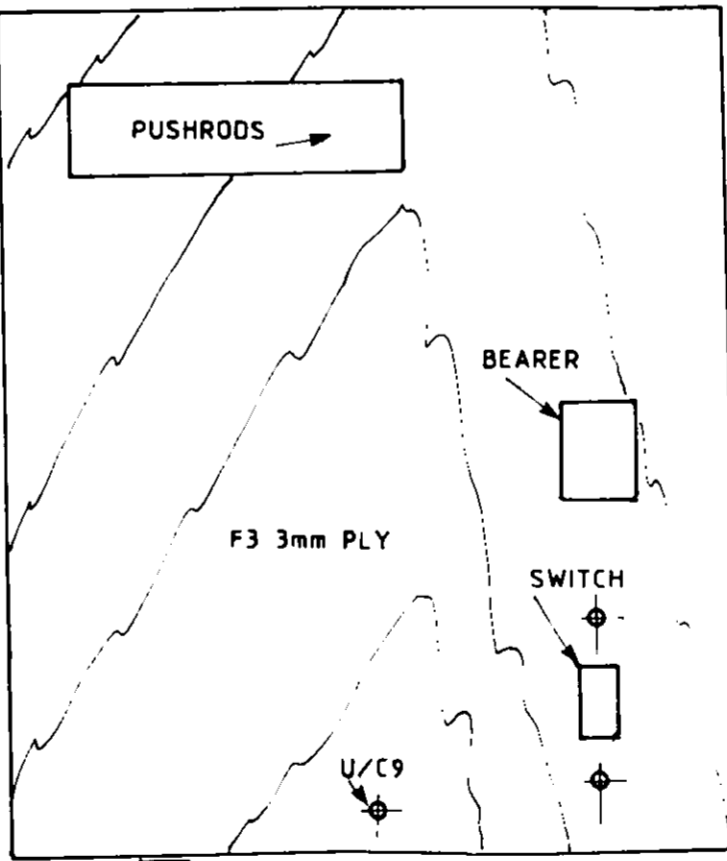
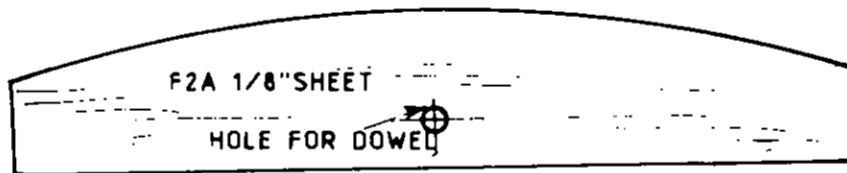
U/C PARTS
U/C1-8 FROM BRASS TUBE
TUBE ENDS FLATTENED WITH
PLIERS AS SHOWN BEFORE
DRILLING.

POSITION OF U/C COMPONENTS

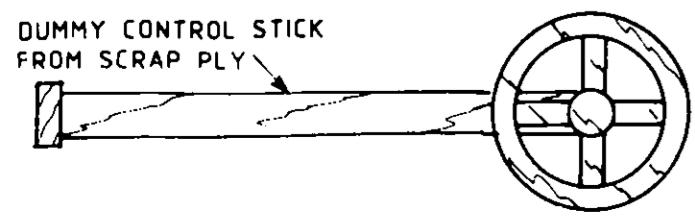
CONTROL THROWS
TAIL PLANE 1/4" EACH WAY TOTAL 2 1/2" AT T E
FIN 2" EACH WAY TOTAL 4" AT T E
NB MOVEMENTS MAY SEEM LARGE, BUT ARE
NECESSARY ENSURE SURFACES ARE SLOP-FREE



REAR SIDE VIEW

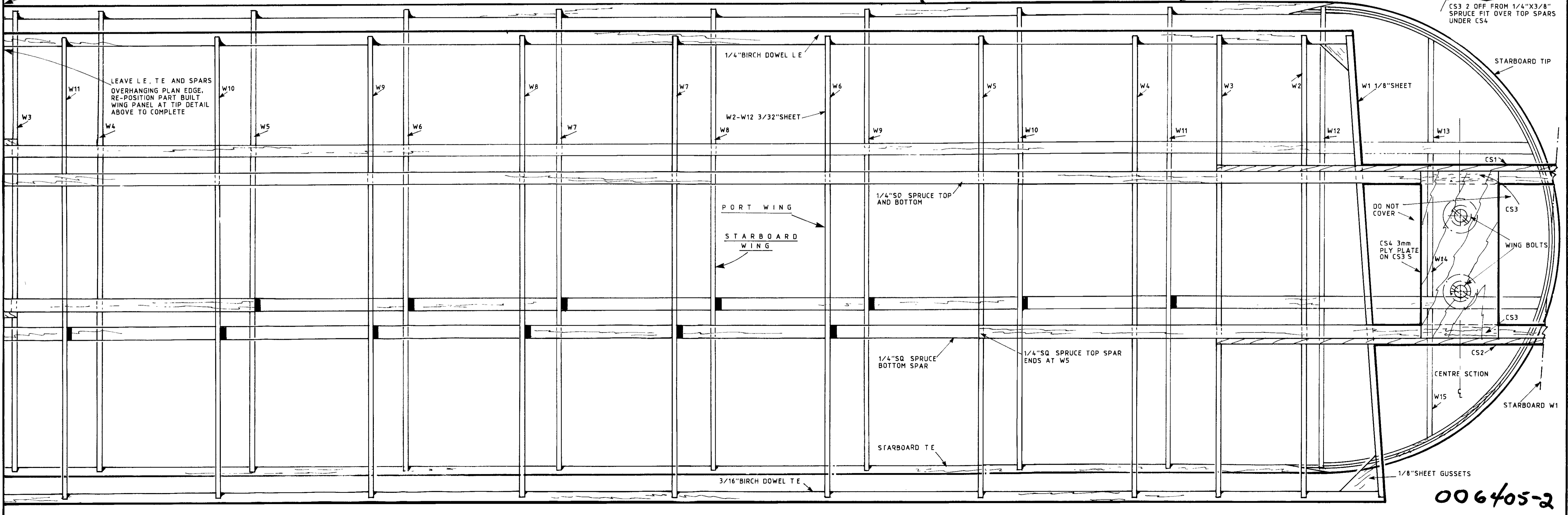
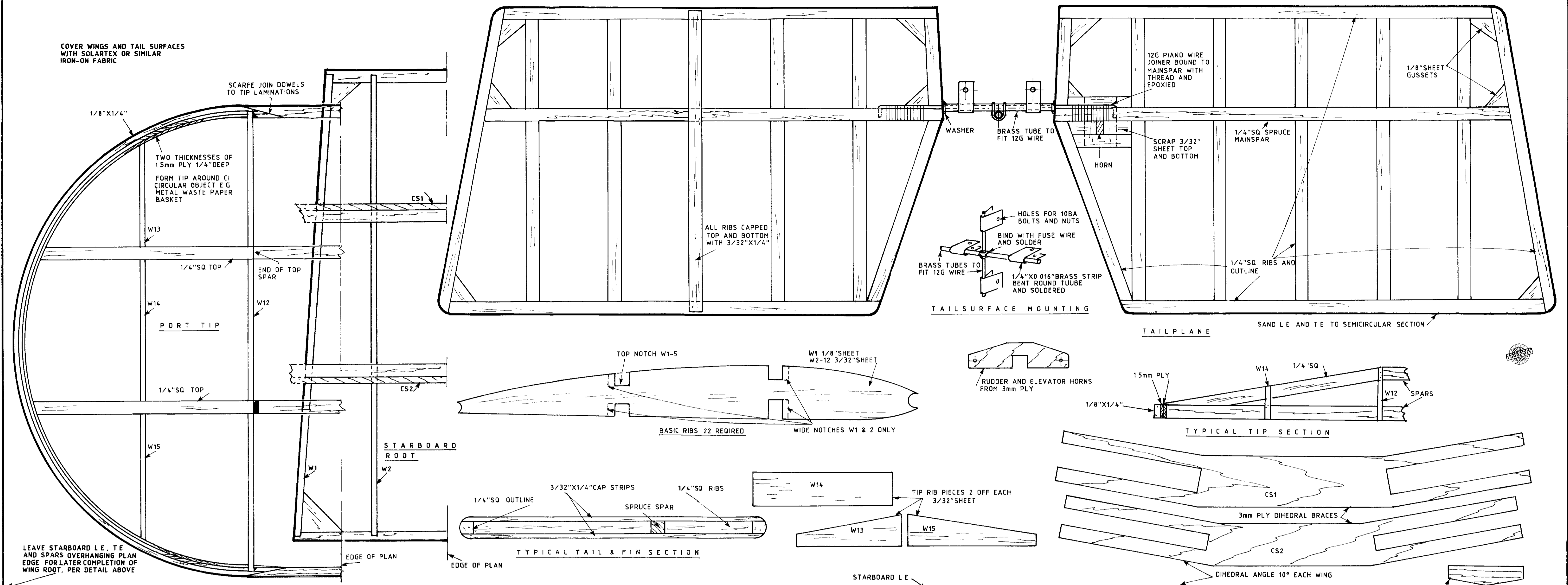


T.O.P. VIEW



006/05-1

COVER WINGS AND TAIL SURFACES WITH SOLARTEX OR SIMILAR IRON-ON FABRIC



006405-2