

SKY TIGER

SHEET 1 OF 2 R/C SPORT AEROBATIC, KIT G31 (No. 64)

FOR 4-CHANNEL RADIO and .40 to .61 ENGINES

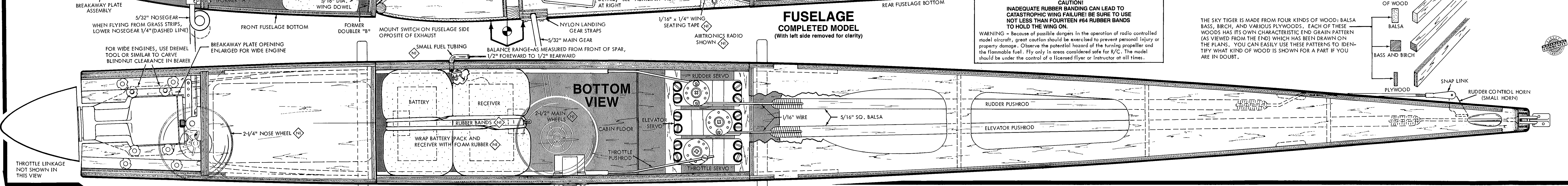
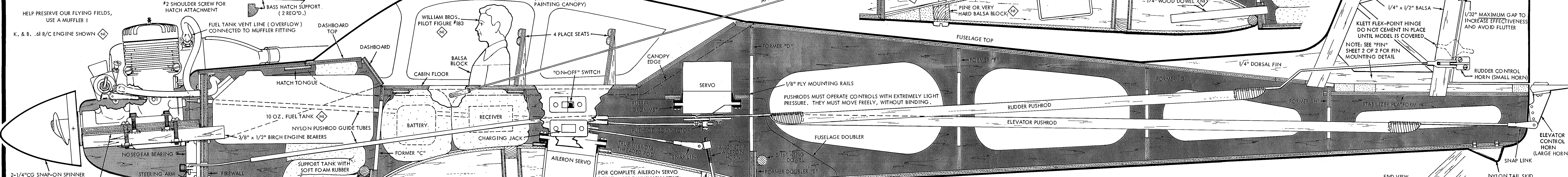
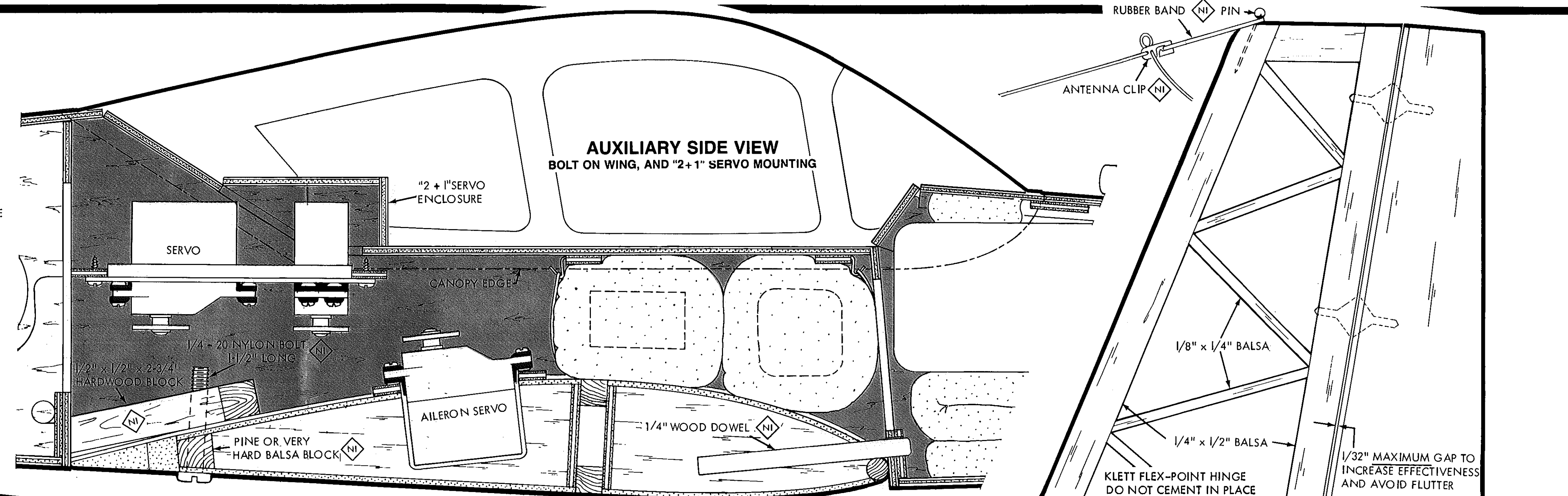
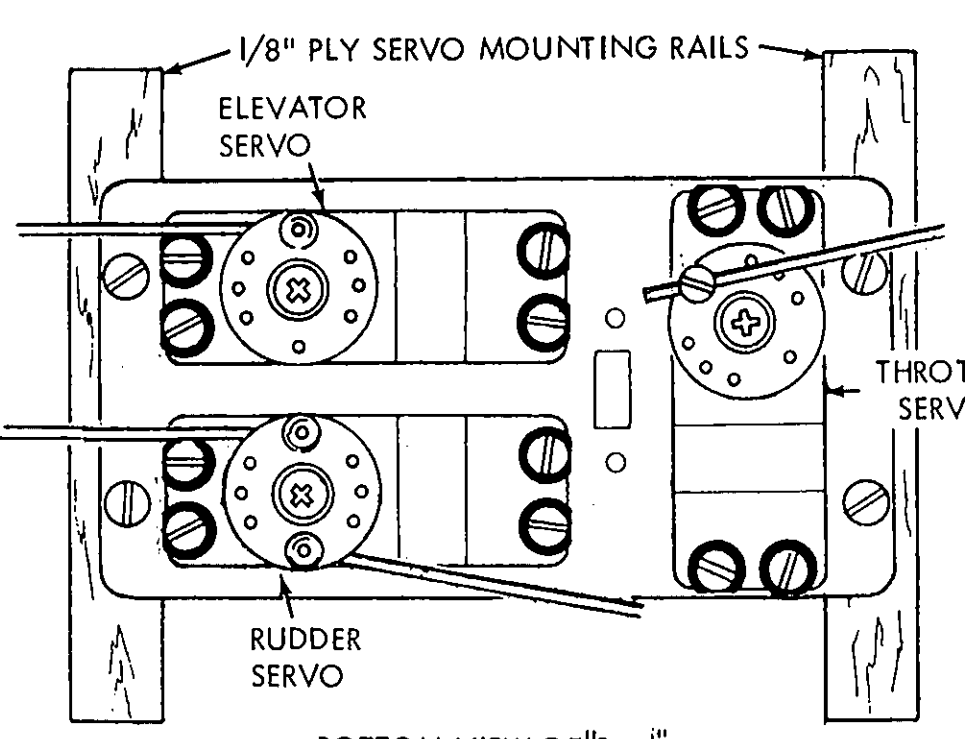
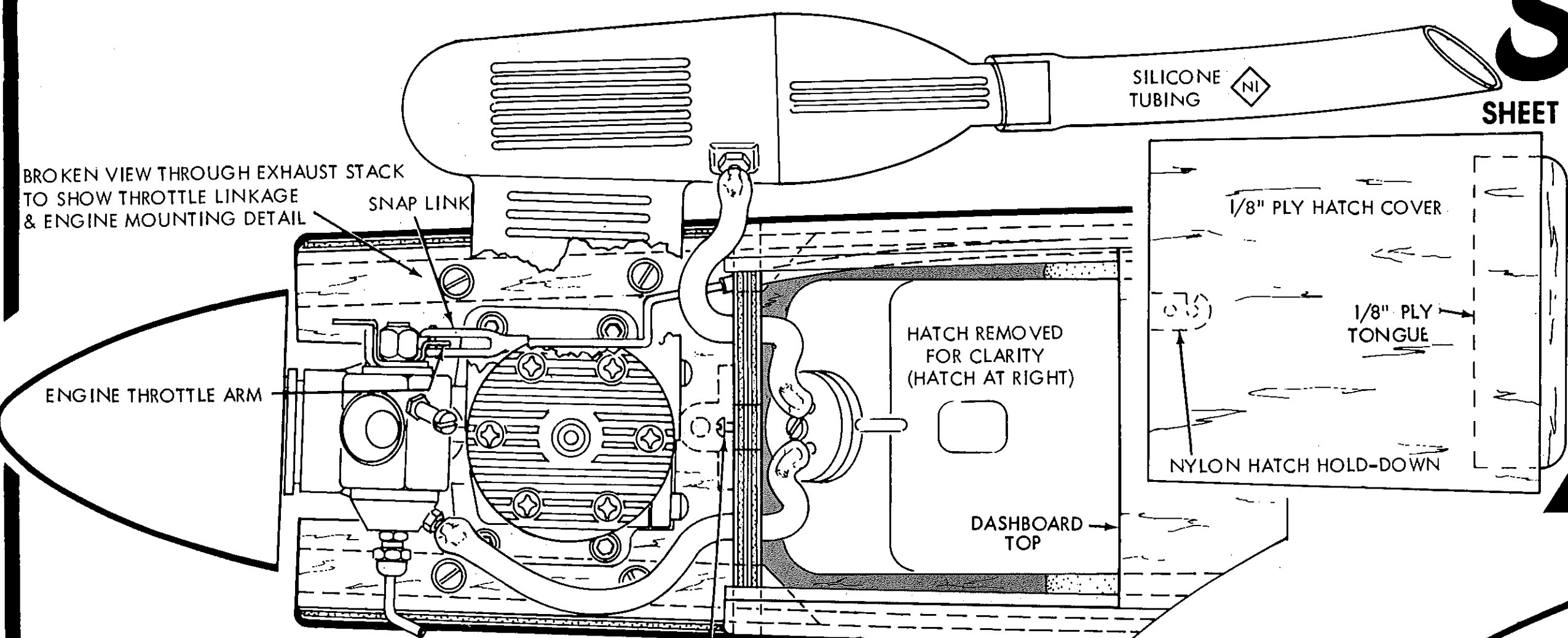
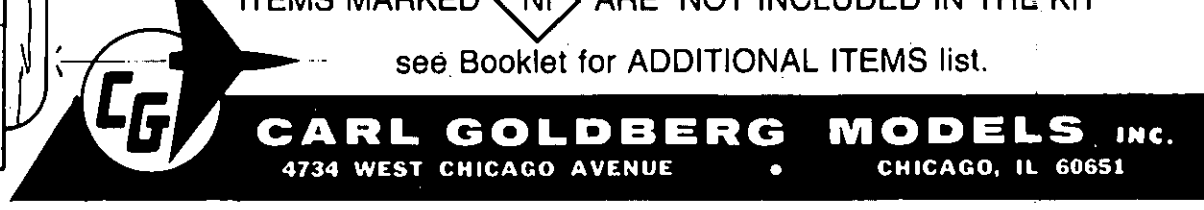
SPAN 63" FLYING WEIGHT 5 lbs. 8 oz.
LENGTH 49" WING AREA 715 sq. in.

DESIGNED BY CARL GOLDBERG
TECHNICAL ASSISTANCE, BUILDING & FLYING BY JIM PETRZELKA

DRAWN BY WARREN KRONBERGER and "MAC" McVICKAR
CONSTRUCTION PHOTOS BY ROGER CHRISTY

ITEMS MARKED **NI** ARE "NOT INCLUDED IN THE KIT"

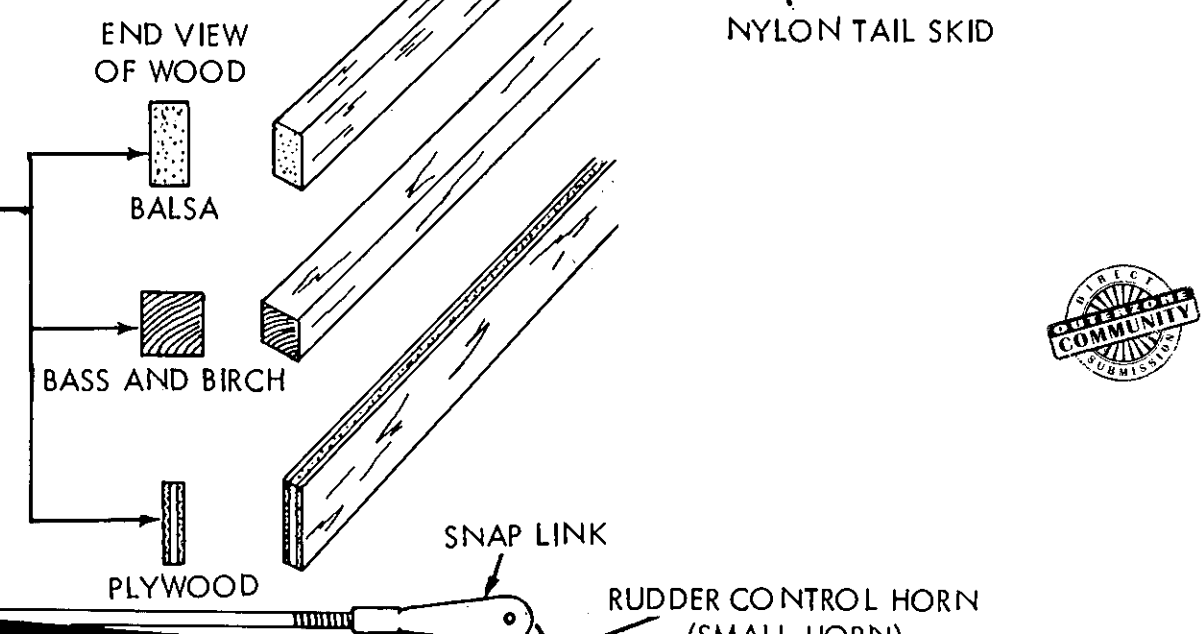
see Booklet for ADDITIONAL ITEMS list.

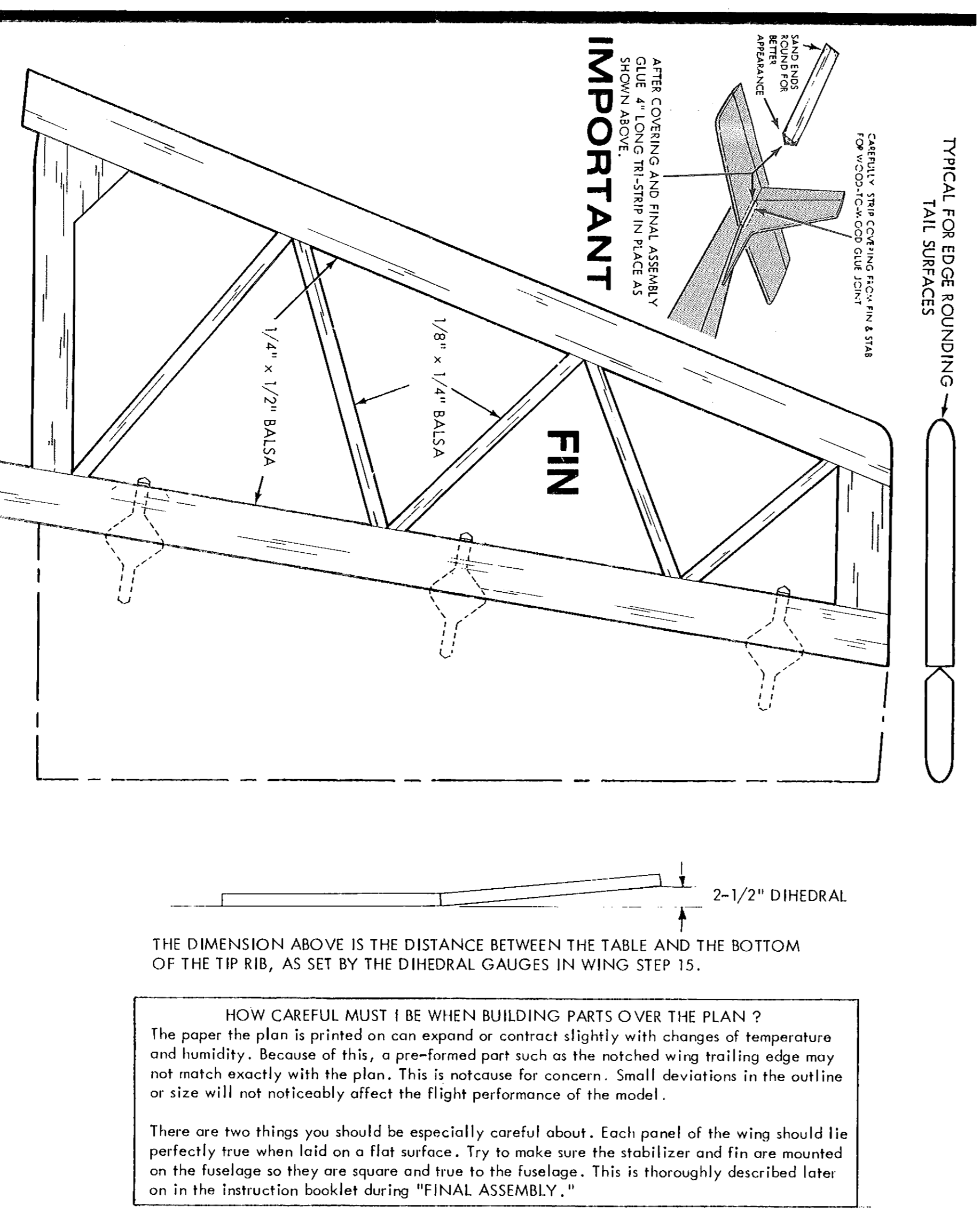
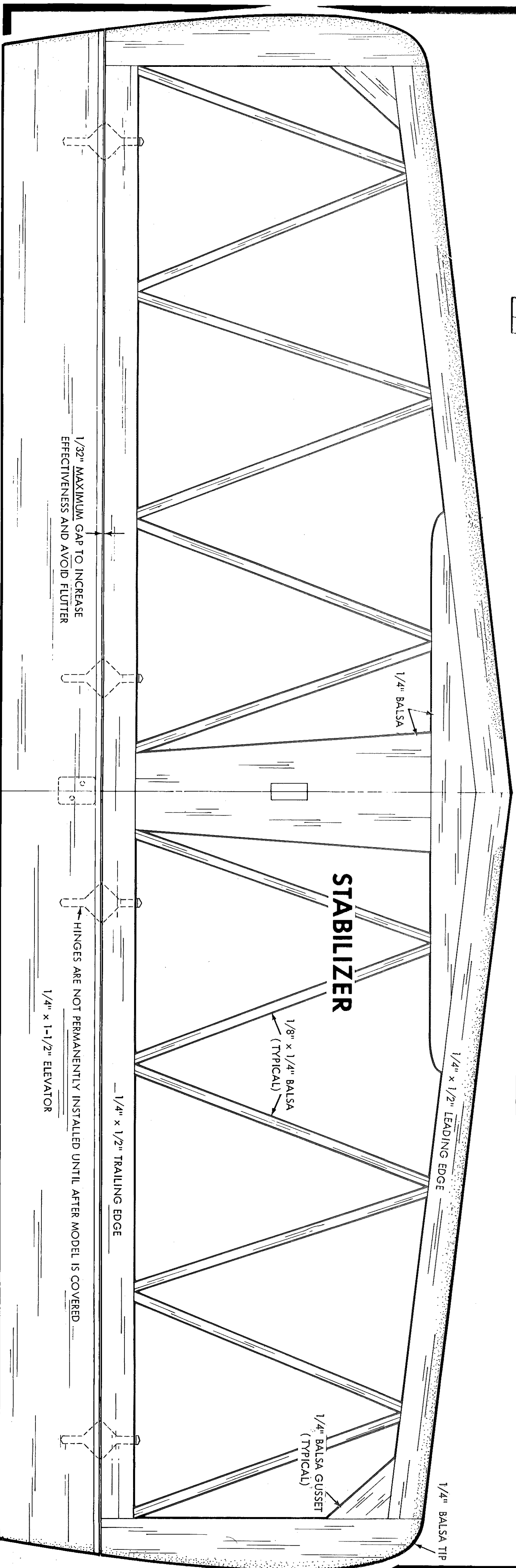


CAUTION!
INADEQUATE RUBBER BANDING CAN LEAD TO CATASTROPHIC WING FAILURE! BE SURE TO USE NOT LESS THAN FOURTEEN #64 RUBBER BANDS TO HOLD THE WING ON.

WARNING - Because of possible dangers in the operation of radio controlled model aircraft, great caution should be exercised to prevent personal injury or property damage. Observe the potential hazard of the turning propeller and the flammable fuel. Fly only in areas considered safe for R/C. The model should be under the control of a licensed flyer or instructor at all times.

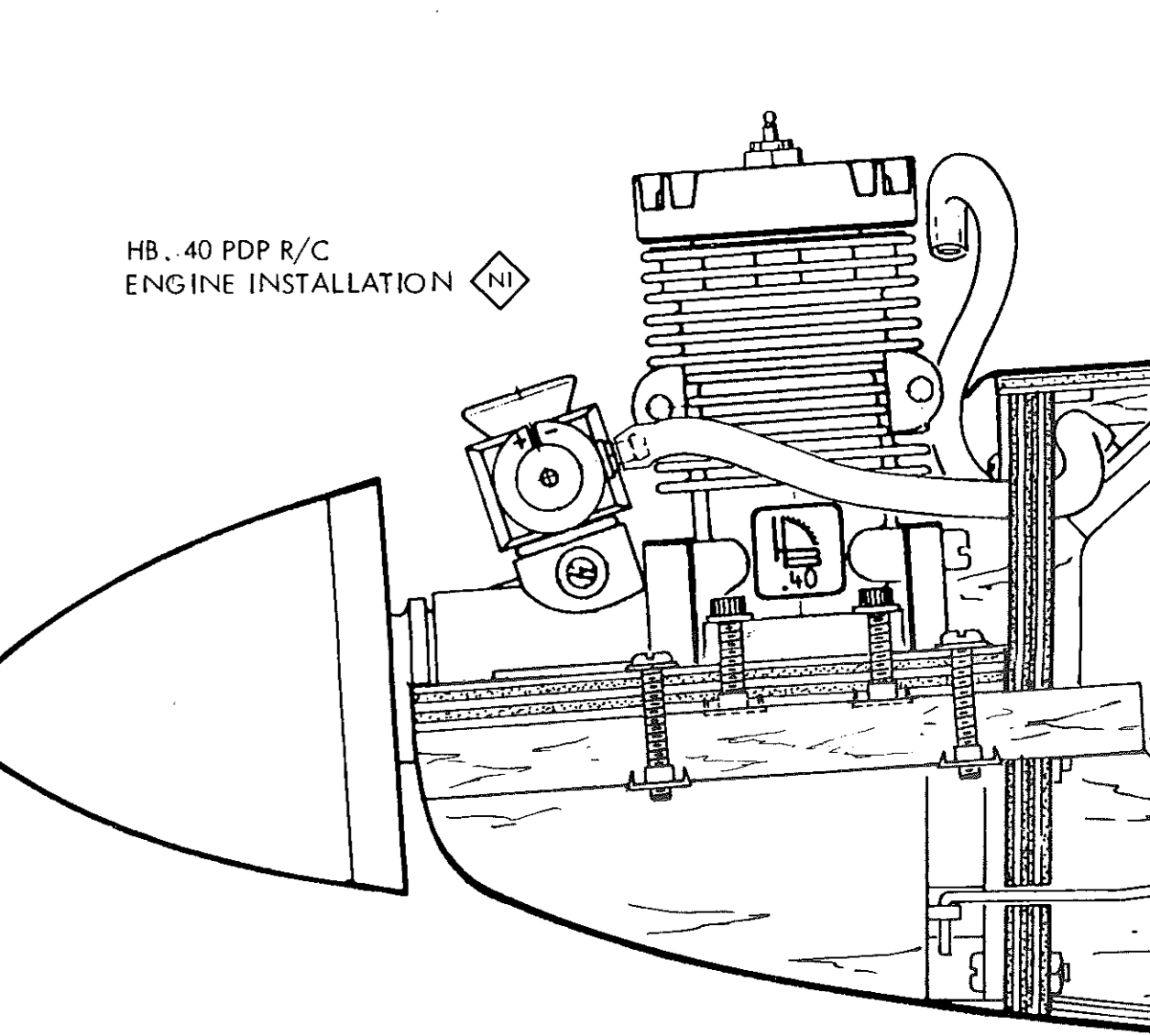
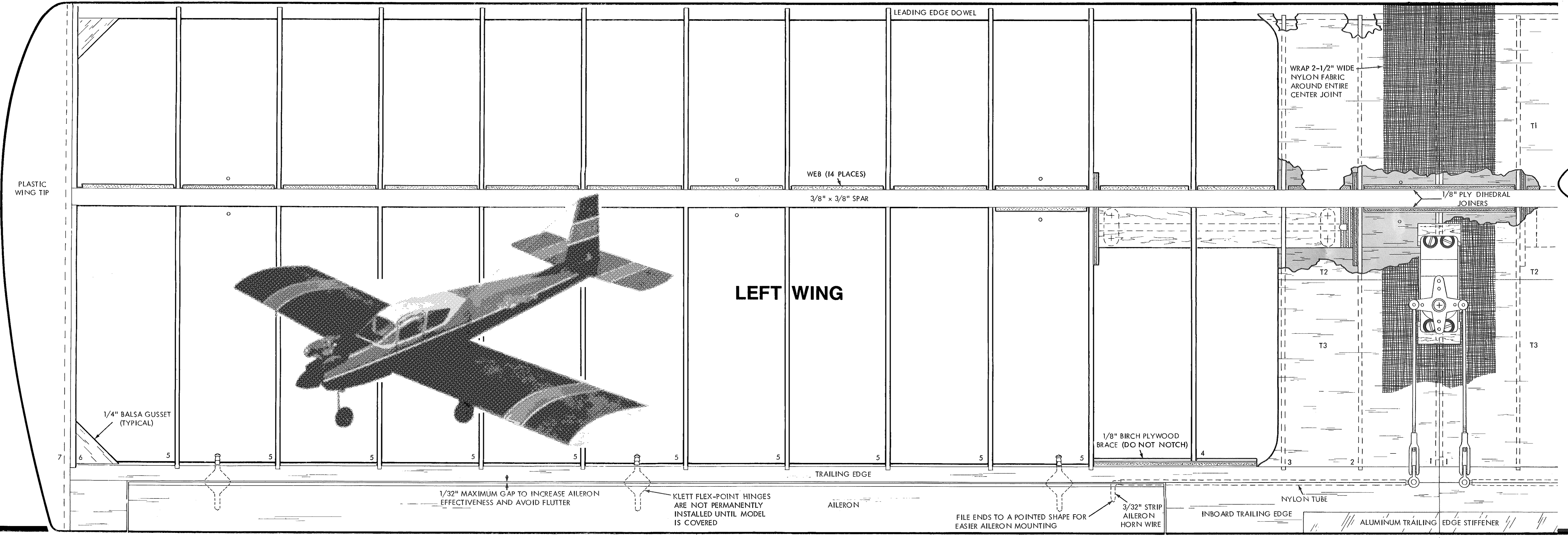
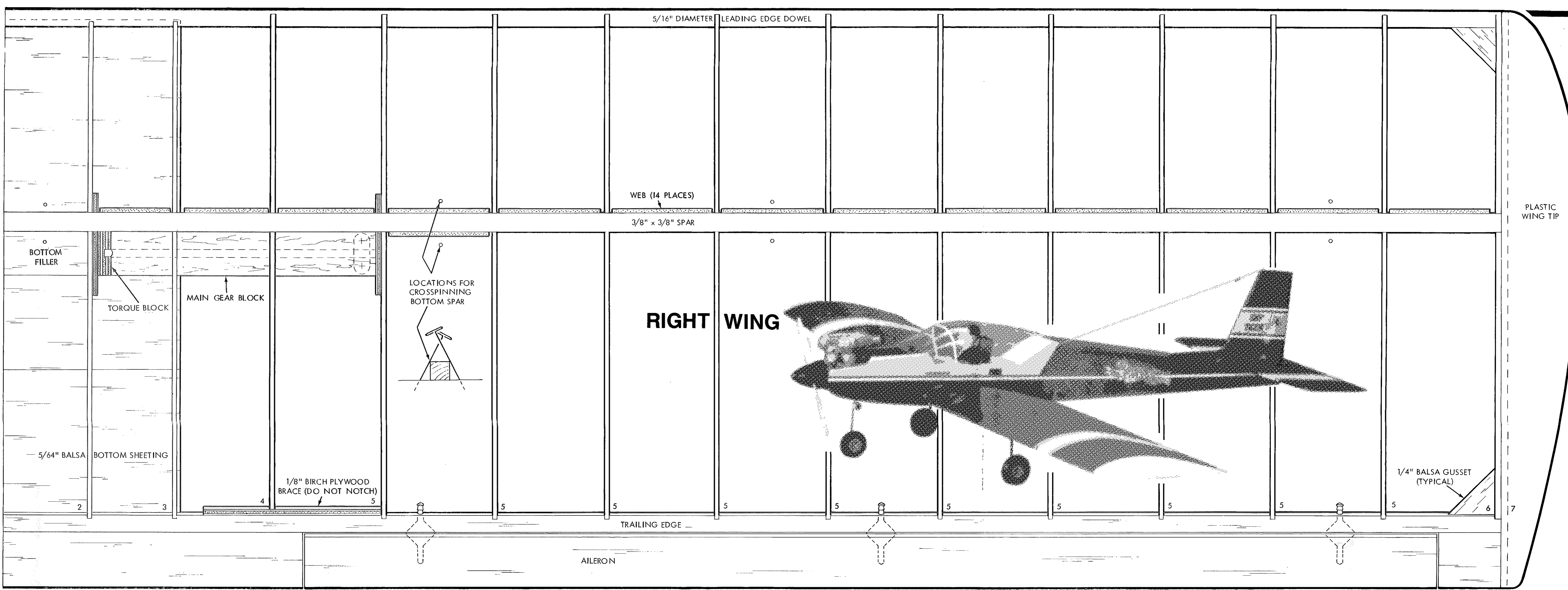
THE SKY TIGER IS MADE FROM FOUR KINDS OF WOOD: BALSA, BASS, BIRCH, AND VARIOUS PLYWOODS. EACH OF THESE WOODS HAS ITS OWN CHARACTERISTIC END GRAIN PATTERN (AS VIEWED FROM THE END) WHICH HAS BEEN DRAWN ON THE PLANS. YOU CAN EASILY USE THESE PATTERNS TO IDENTIFY WHAT KIND OF WOOD IS SHOWN FOR A PART IF YOU ARE IN DOUBT.





HOW CAREFUL MUST I BE WHEN BUILDING PARTS OVER THE PLAN?
 The paper plan is printed on an expand or contract slightly with changes of temperature and humidity. Because of this, a pre-formed part such as the notched wing trailing edge may not match exactly with the plan. This is not cause for concern. Small deviations in the outline or size will not noticeably affect the flight performance of the model.

There are two things you should be especially careful about. Each panel of the wing should lie perfectly true when laid on a flat surface. Try to make sure the stabilizer and fin are mounted on the fuselage so they are square and true to the fuselage. This is thoroughly described later on in the instruction booklet during "FINAL ASSEMBLY."



SKY TIGER

SHEET 2 OF 2
 R/C SPORT AEROBATIC,
 KIT G31 (No. 64)

ITEMS MARKED ARE "NOT INCLUDED IN THE KIT" see Booklet for ADDITIONAL ITEMS list.

CARL GOLDBERG MODELS INC.
 4734 WEST CHICAGO AVENUE CHICAGO, IL 60651