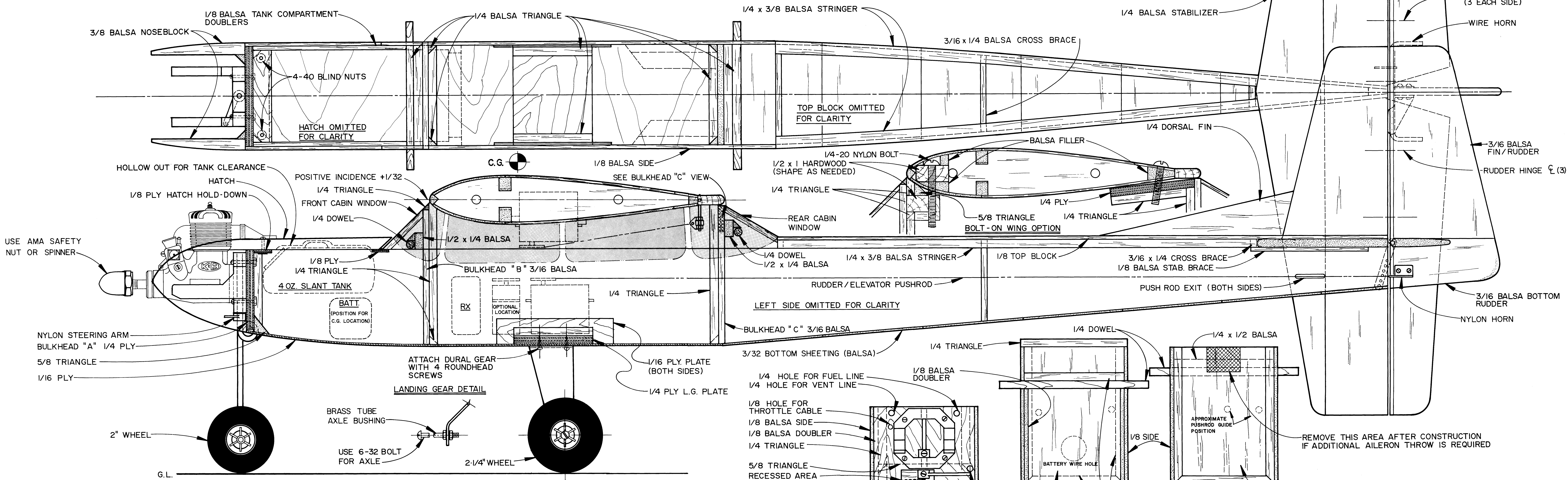
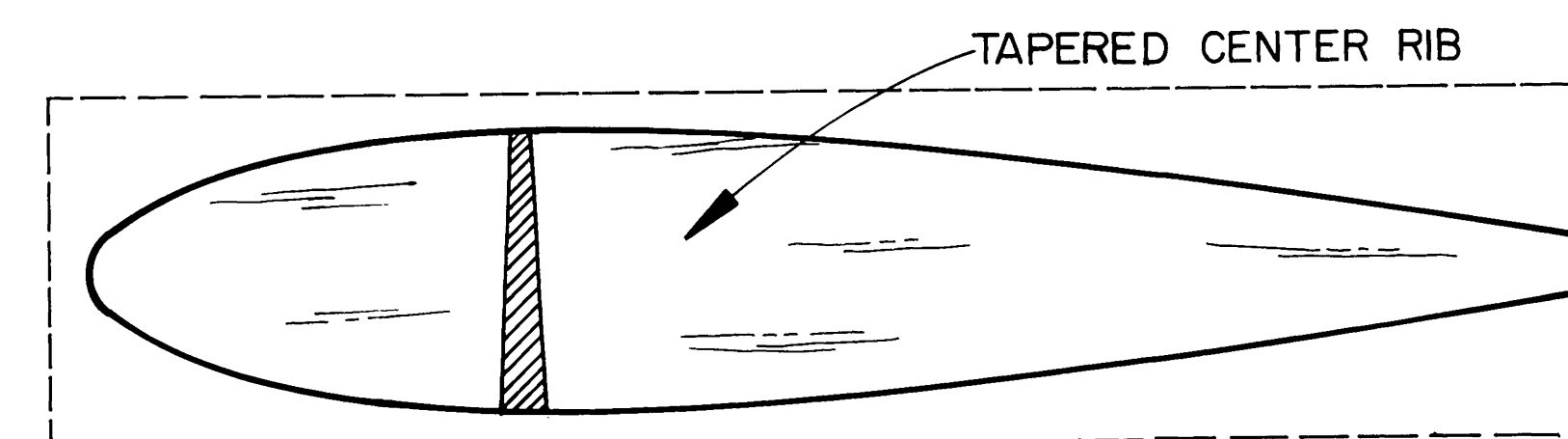
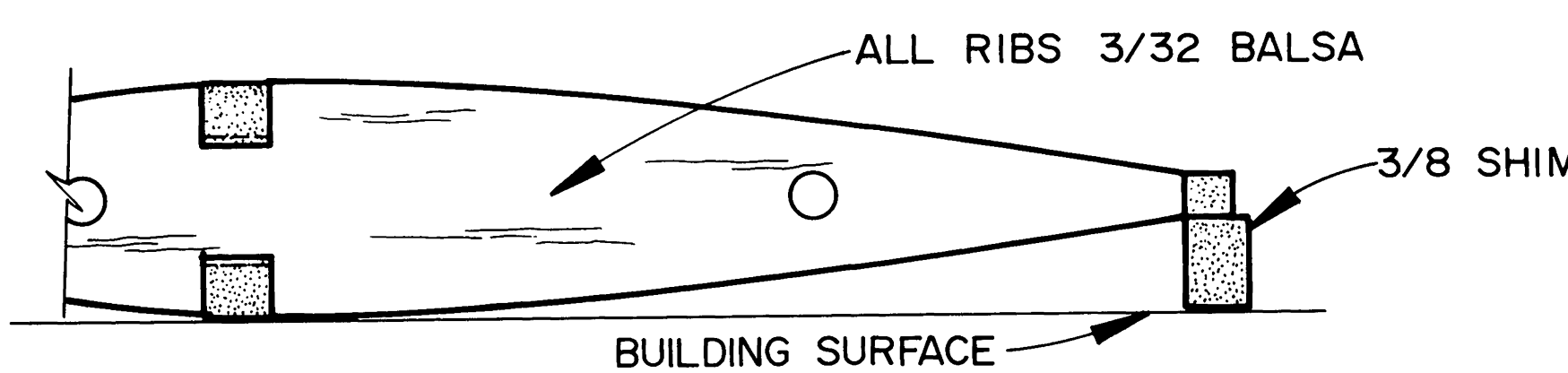
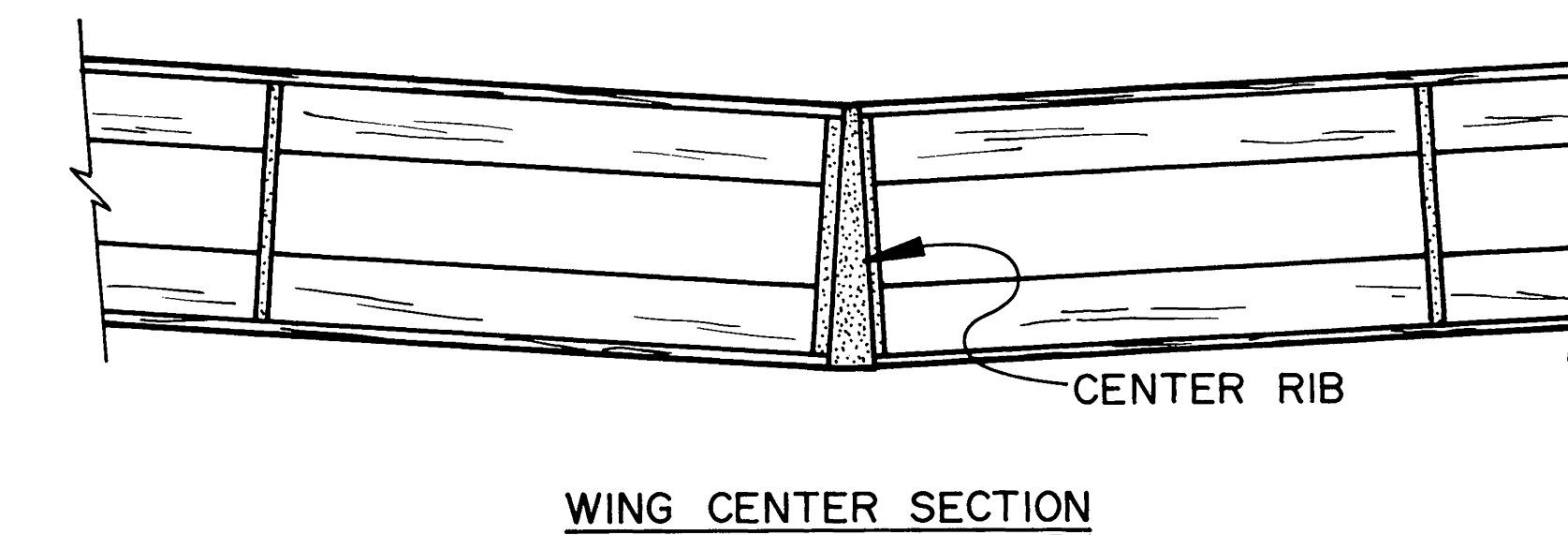
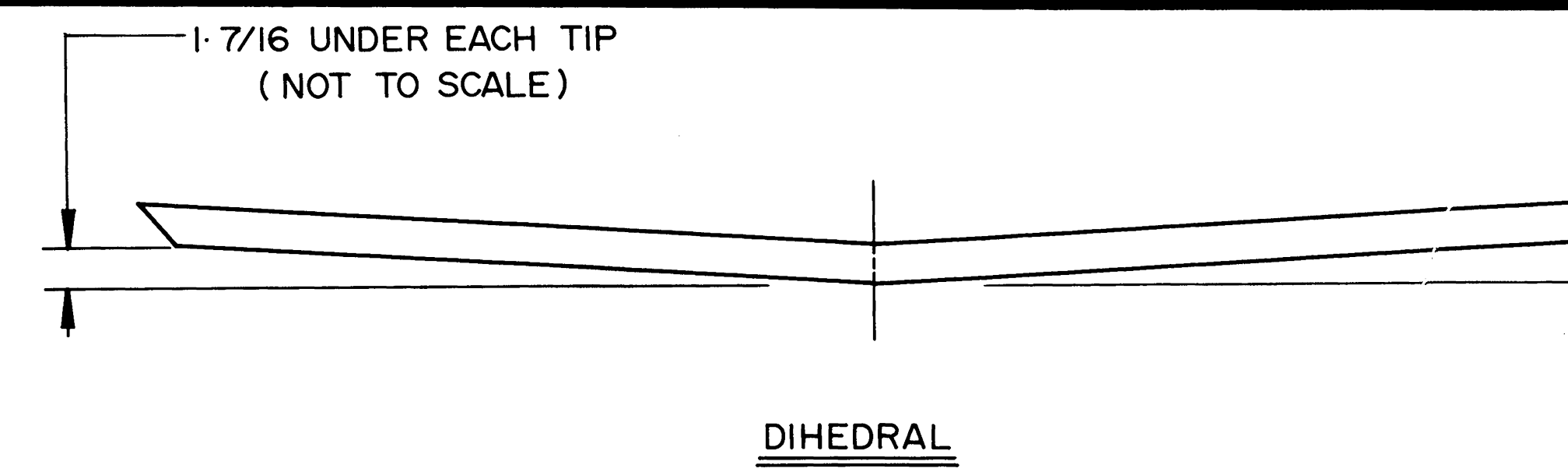
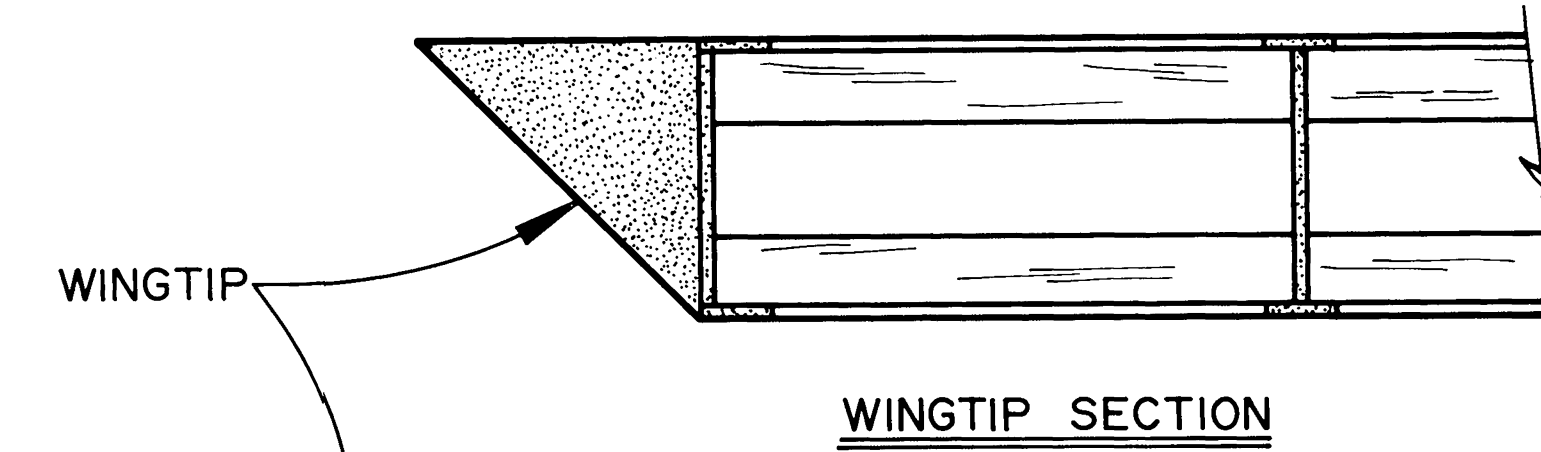


4 OR 6 OZ. FIBERGLASS CLOTH IS NEEDED TO SUPPORT THE CENTER SECTION. EXTEND MATERIAL 3" BEYOND CENTER.



WING SPAN.....52 1/2"
 WING AREA.....473 SQ. IN.
 LENGTH.....40 1/2"
 WEIGHT.....3 1/2-4 LBS.
 ENGINE.....15-25

ALL COMMERCIAL RIGHTS RESERVED

TRAINER .20

DESIGNED BY J. BRID DON ANDERSON INKED BY JAY HINSHAW

GREAT PLANES MODEL MANUFACTURING CO.
 URBANA, ILL. 61801