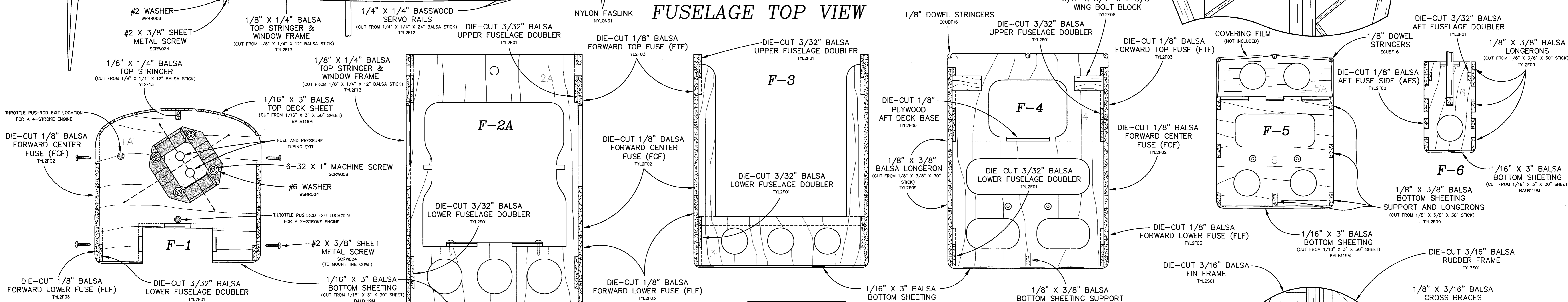
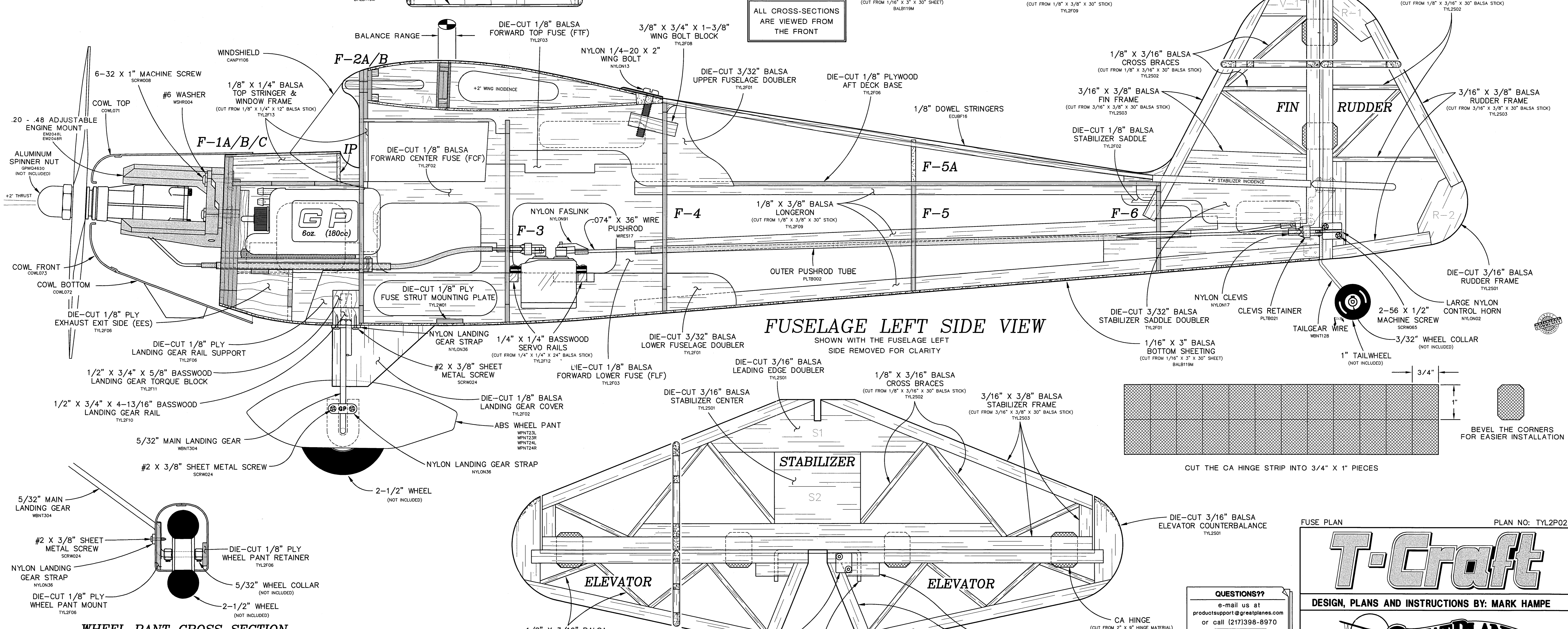


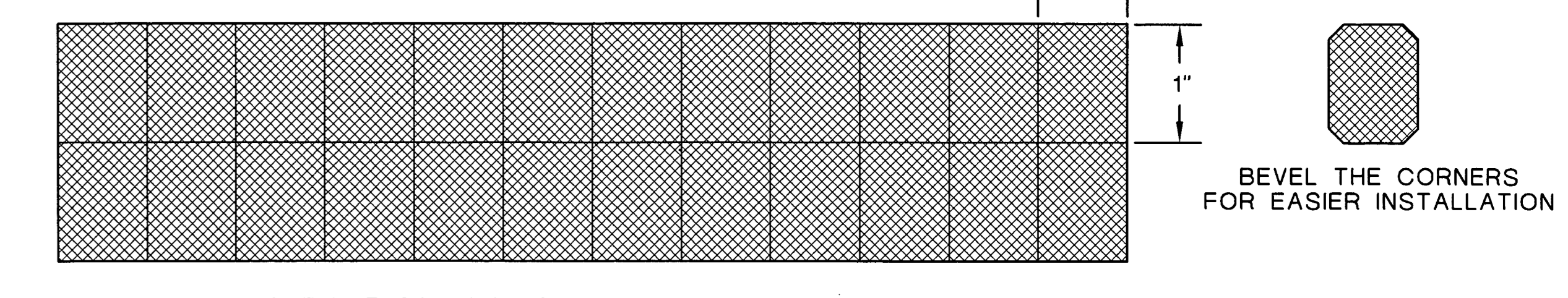
FUSELAGE TOP VIEW



FUSELAGE LEFT SIDE VIEW



WHEEL PANT CROSS SECTION



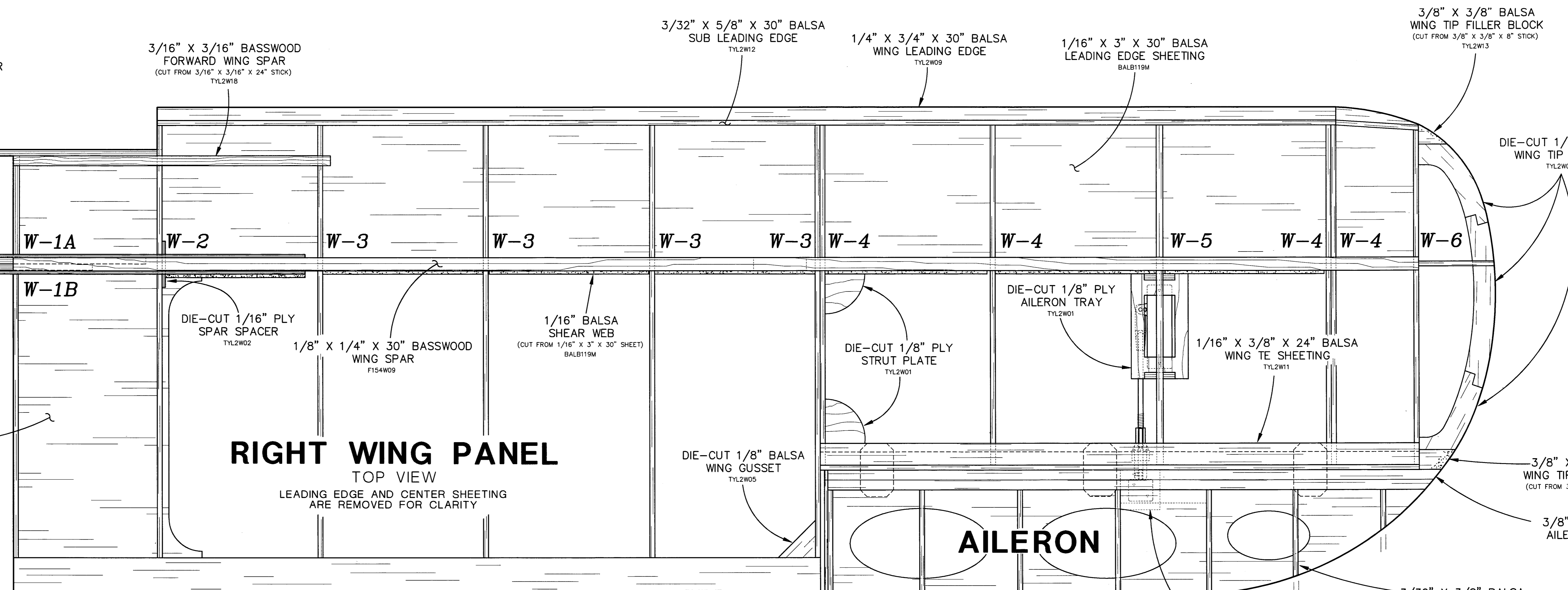
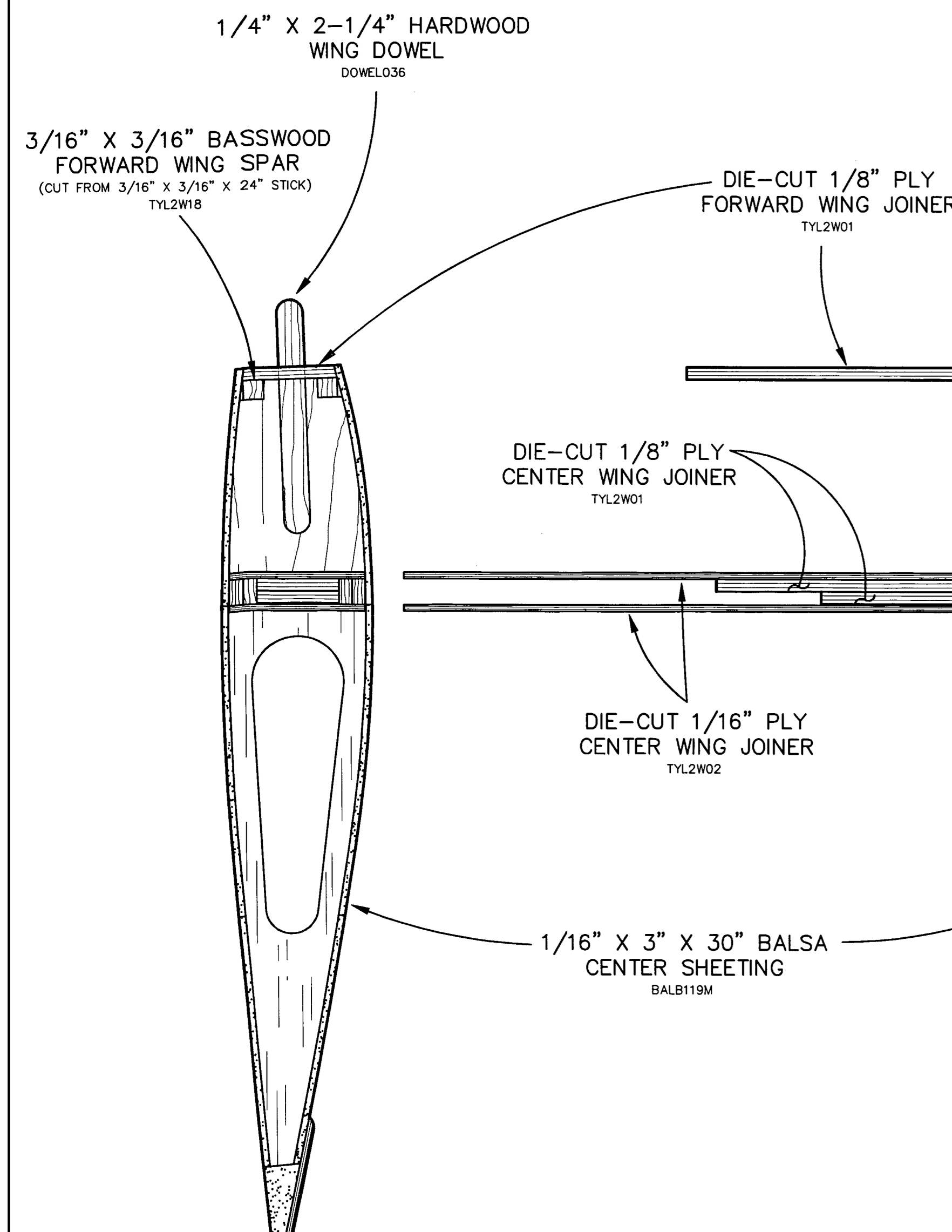
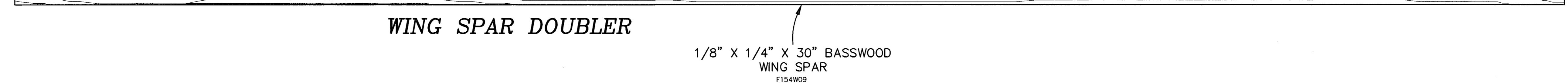
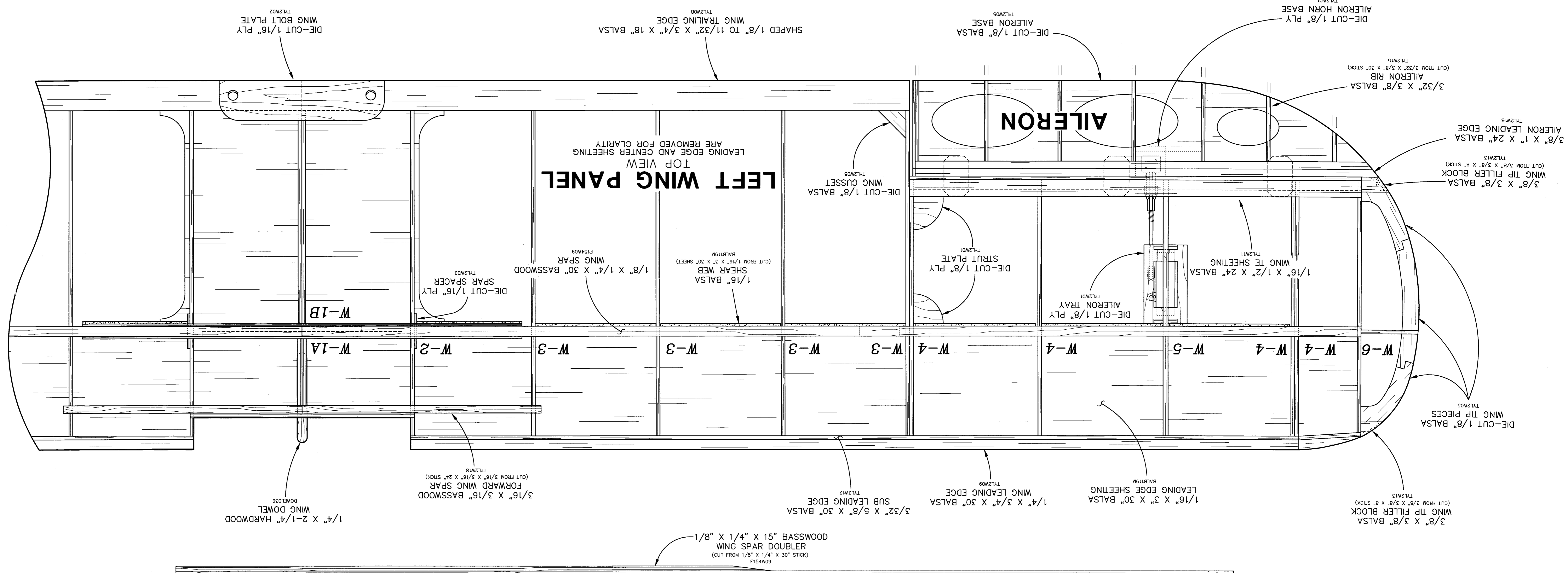
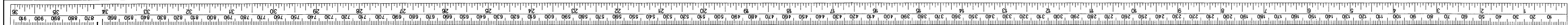
QUESTIONS??
 e-mail us at
 productsupport@greatplanes.com
 or call (217)398-8970
 Visit our Web Site at
 www.greatplanes.com

FUSE PLAN PLAN NO: TYL2P02

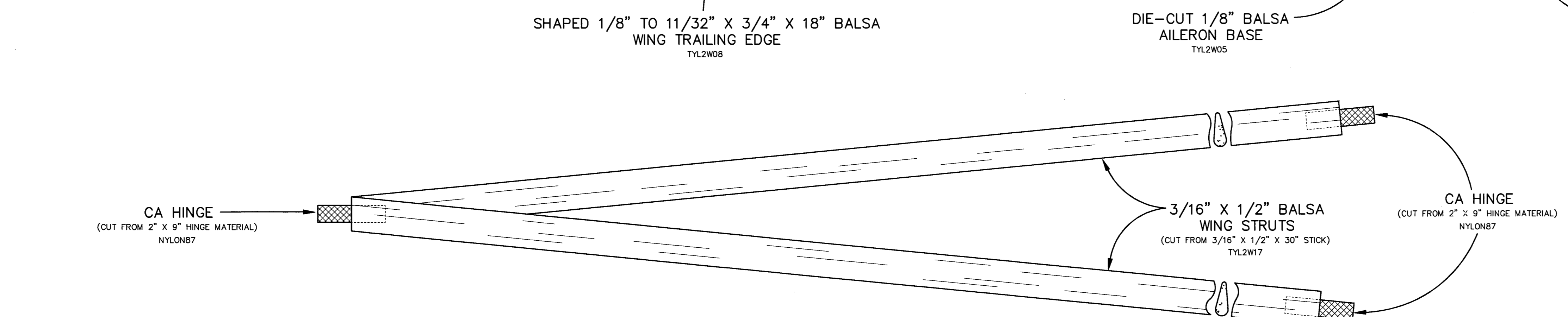
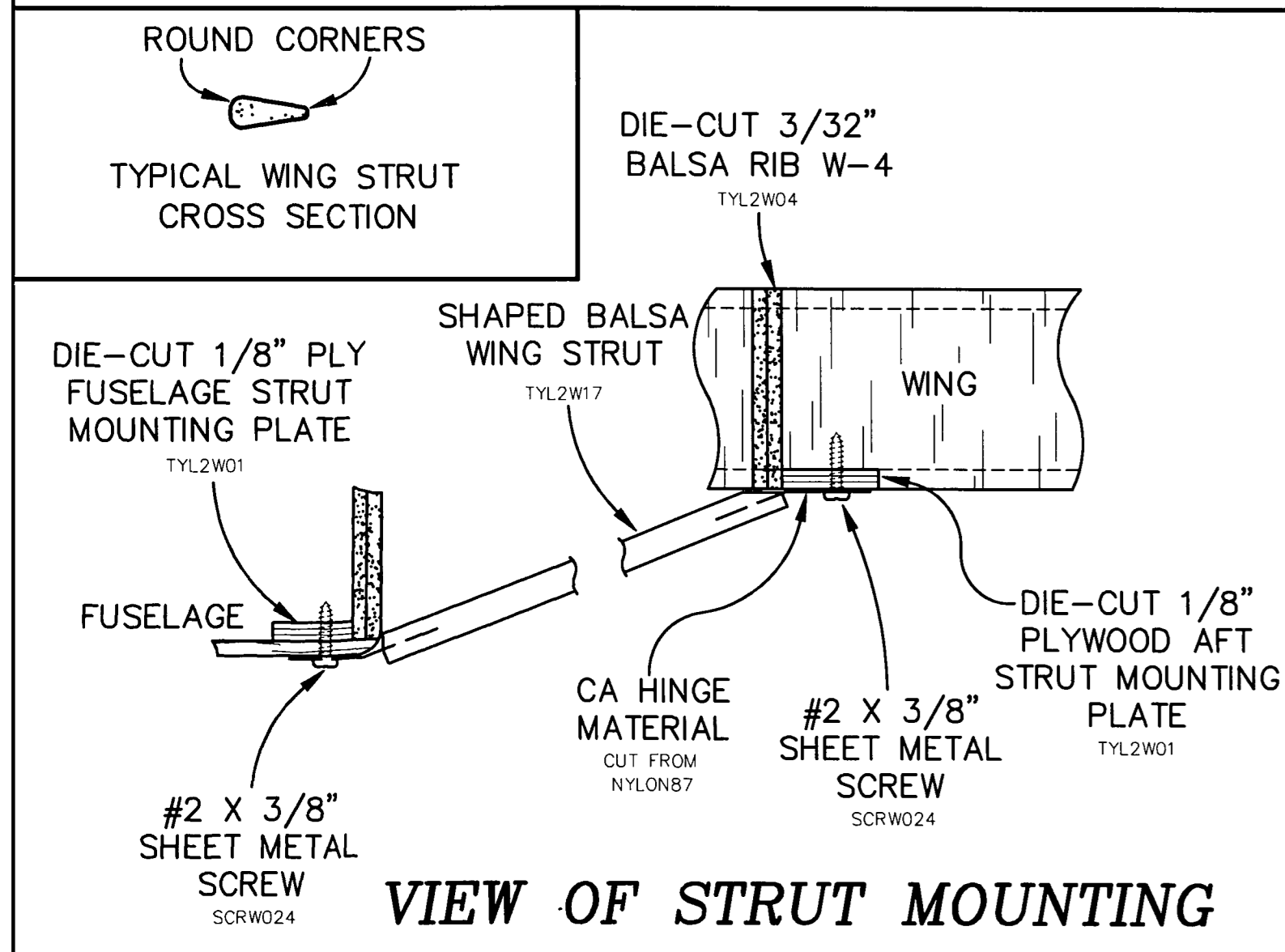
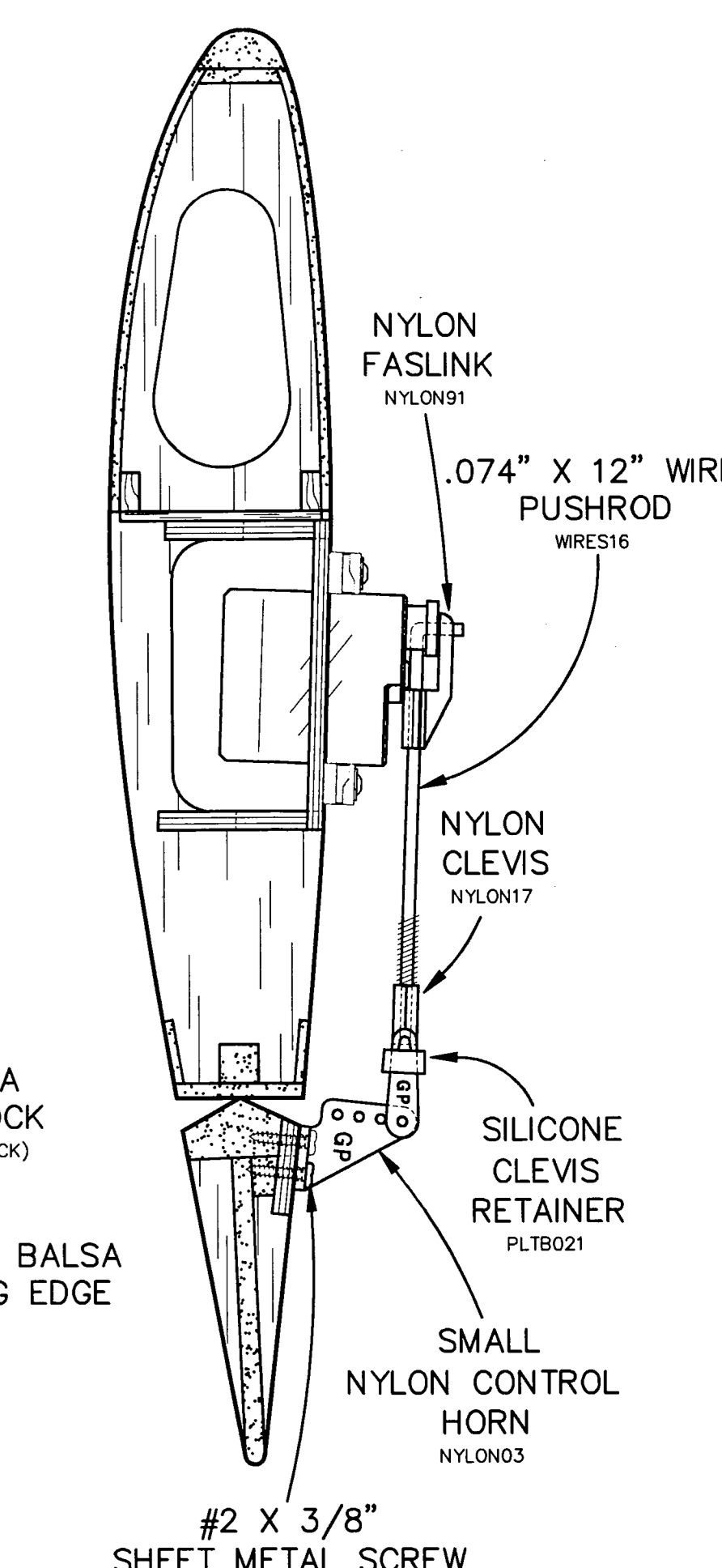
T-Craft

DESIGN, PLANS AND INSTRUCTIONS BY: MARK HAMPE

ALL COMMERCIAL RIGHTS RESERVED ©2000 P.O. Box 788 Urbana, Illinois 61801 (217) 398-8970



CROSS SECTION AT W-5



QUESTIONS??
 e-mail us at
 productsupport@greatplanes.com
 or call (217)398-8970
 Visit our Web Site at
 www.greatplanes.com

WING PLAN PLAN NO: TYL2P01

T-Craft

DESIGN, PLANS AND INSTRUCTIONS BY: MARK HAMPE

ALL COMMERCIAL RIGHTS RESERVED ©2000 P.O. Box 788 Urbana, Illinois 61801 (217) 398-8970