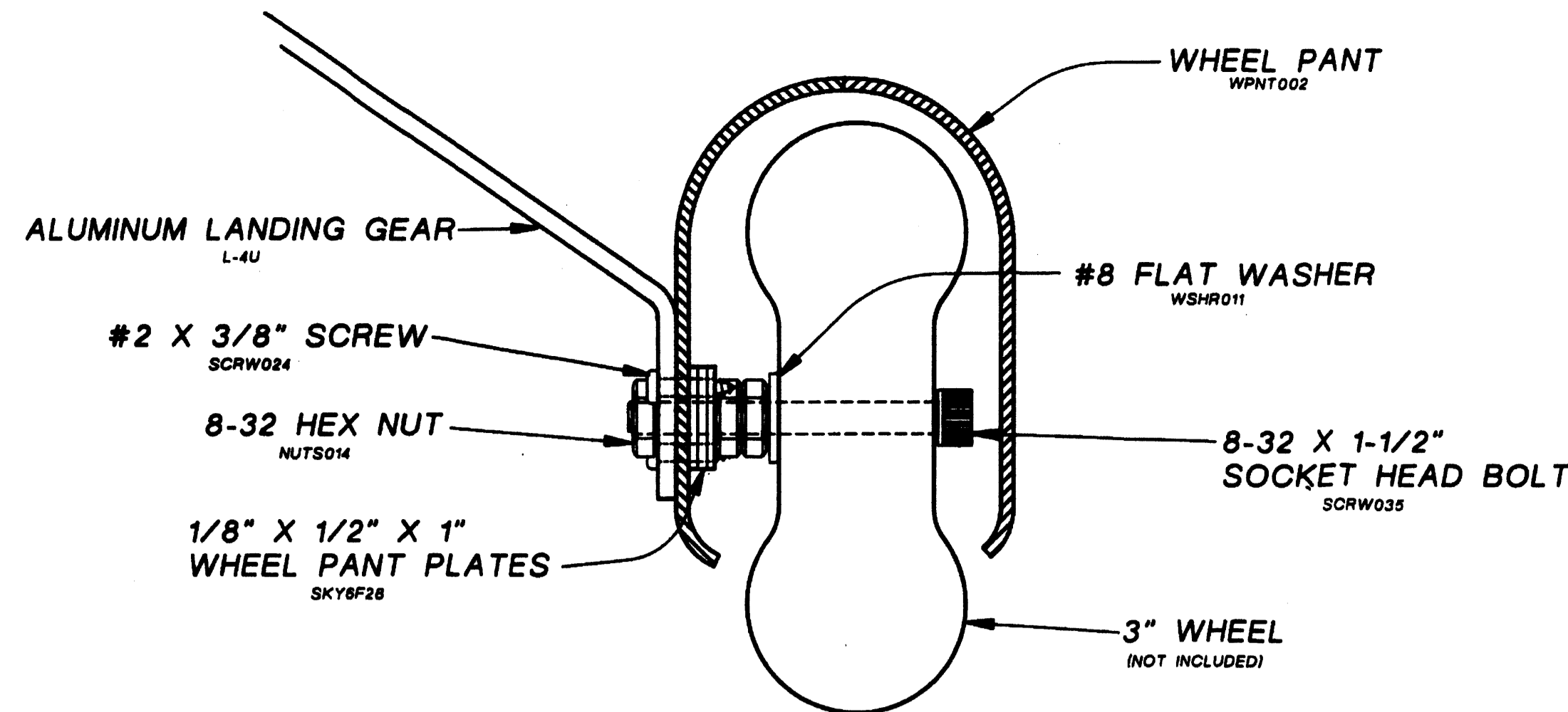


# NOSE SIDE SHEETING PATTERN

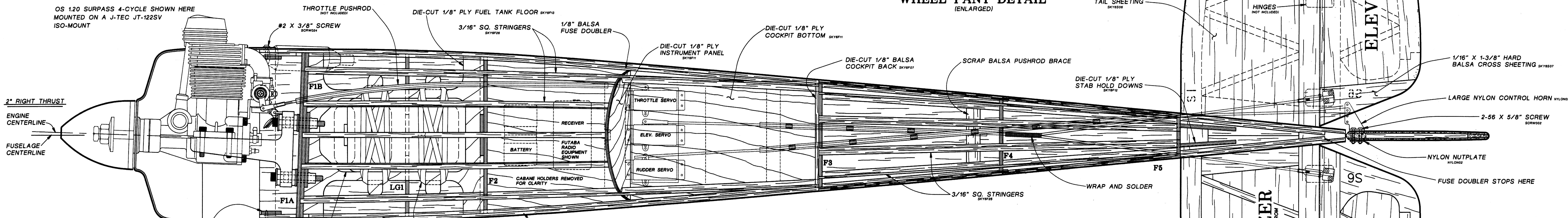
(USE THIS TEMPLATE TO MAKE THE NOSE SIDE SHEETING)



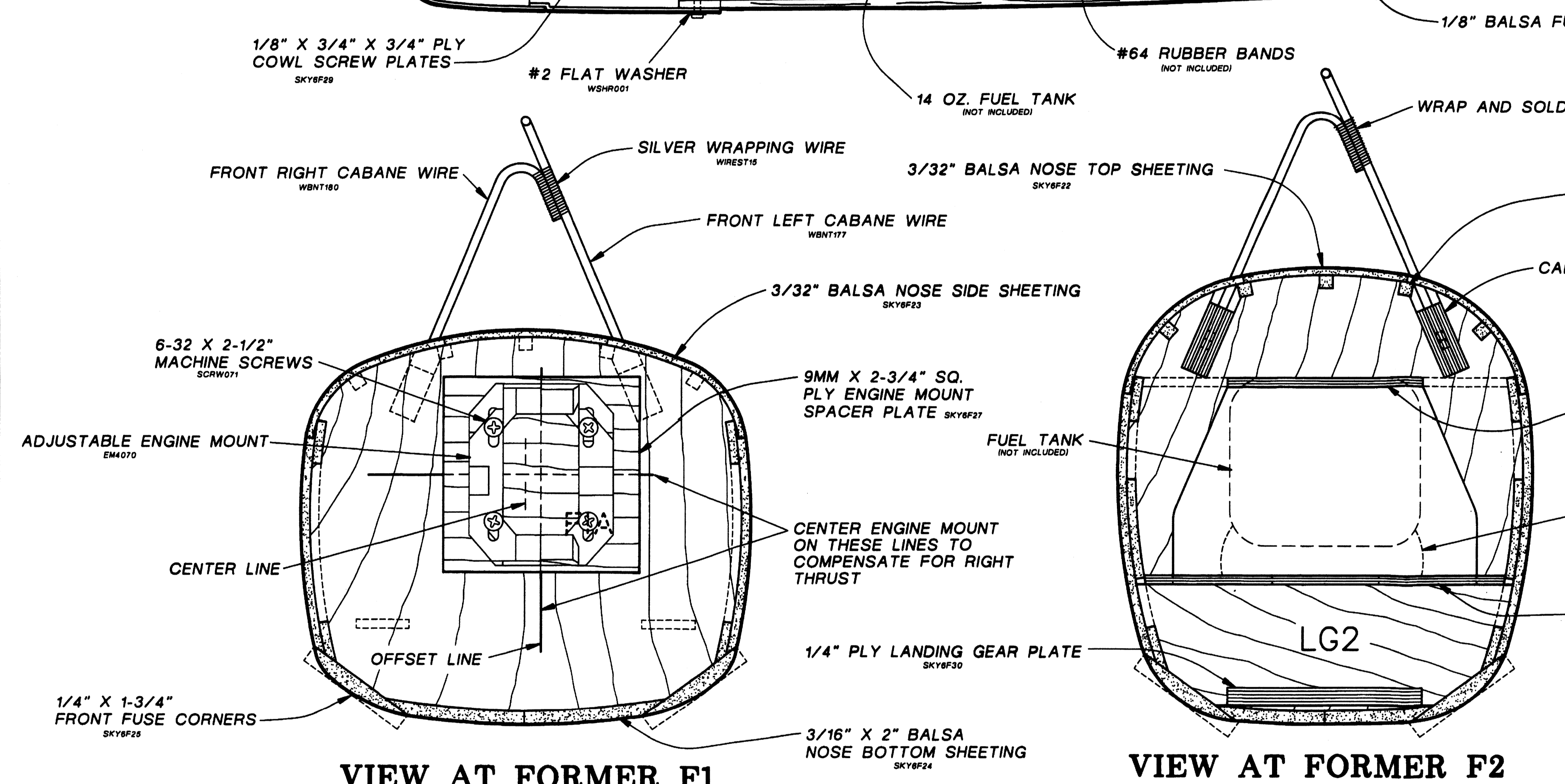
WHEEL PANT DETAIL (ENLARGED)

NOTE ANGLE OF ELEVATOR SHEETING

OS 120 SURPASS 4-CYCLE SHOWN HERE MOUNTED ON A J-TEC JT-122SV ISO-MOUNT

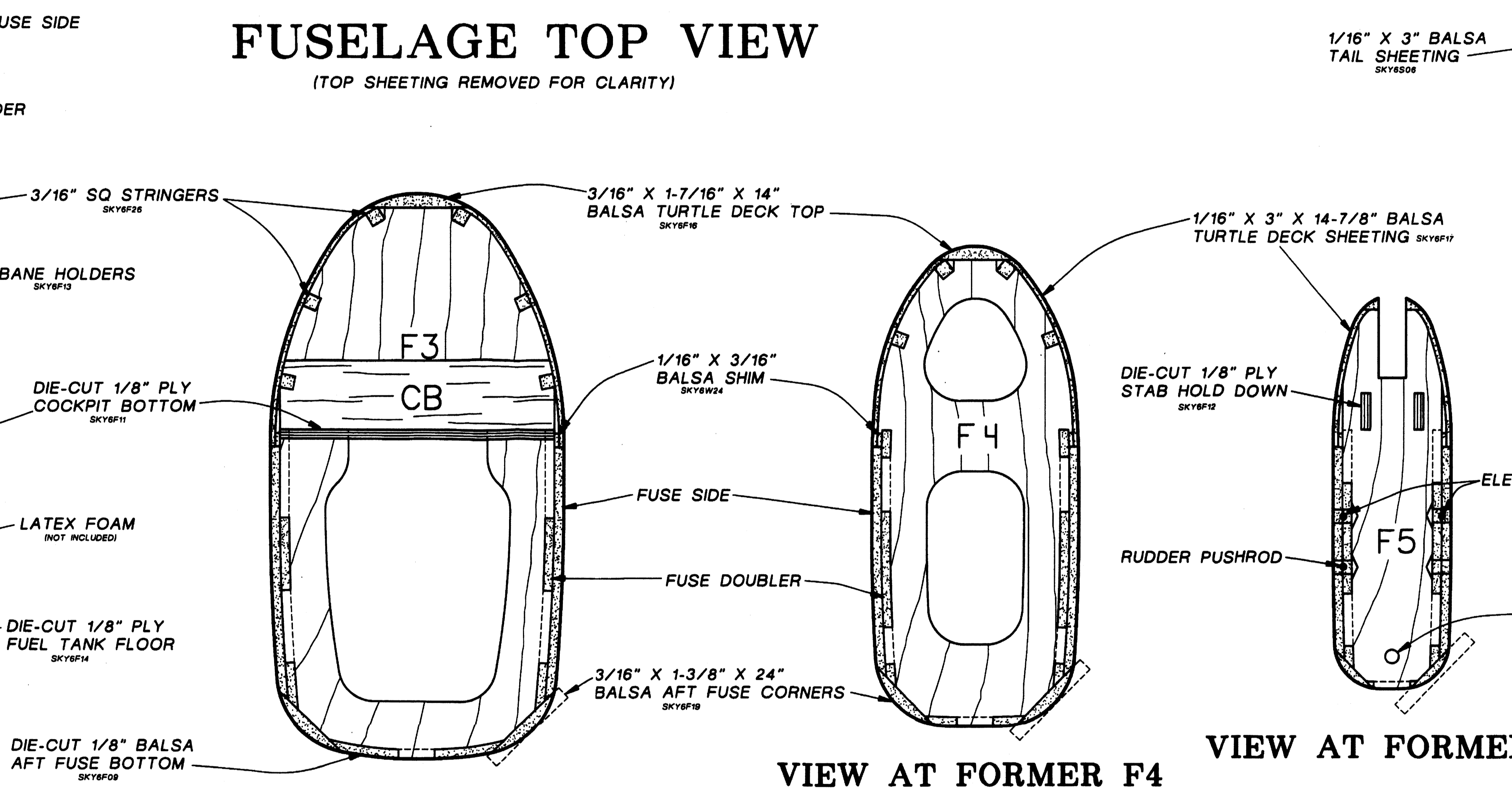


FUSELAGE TOP VIEW (TOP SHEETING REMOVED FOR CLARITY)



VIEW AT FORMER F1

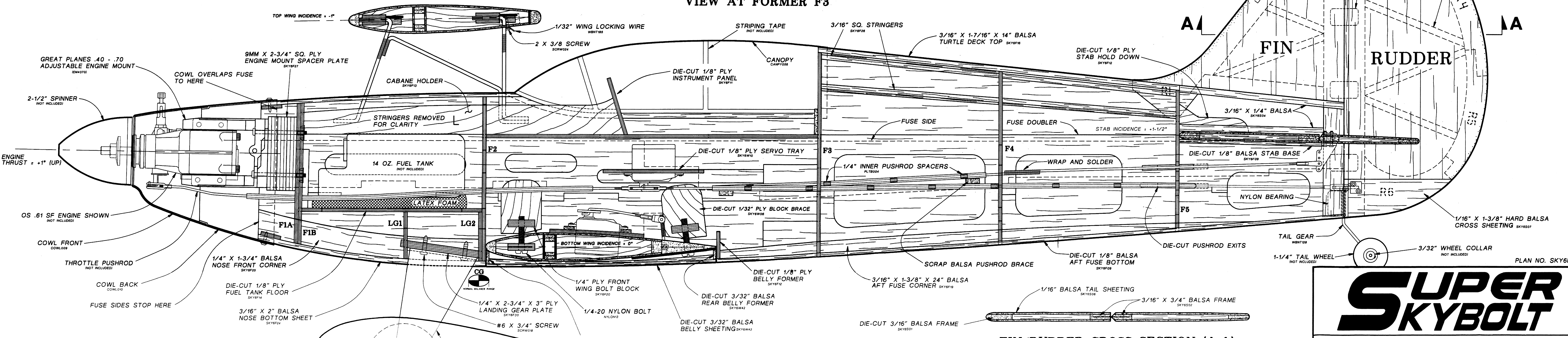
VIEW AT FORMER F2



VIEW AT FORMER F3

VIEW AT FORMER F4

VIEW AT FORMER F5



FUSELAGE SIDE VIEW (LEFT FUSE SIDE, DOUBLER AND SHEETING REMOVED FOR CLARITY)

FIN/RUDDER CROSS SECTION (A-A)

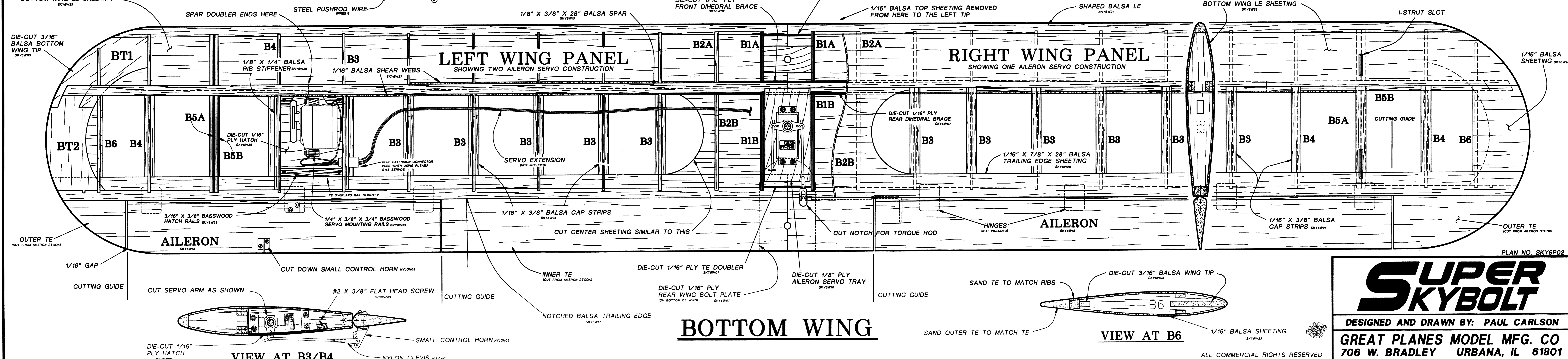
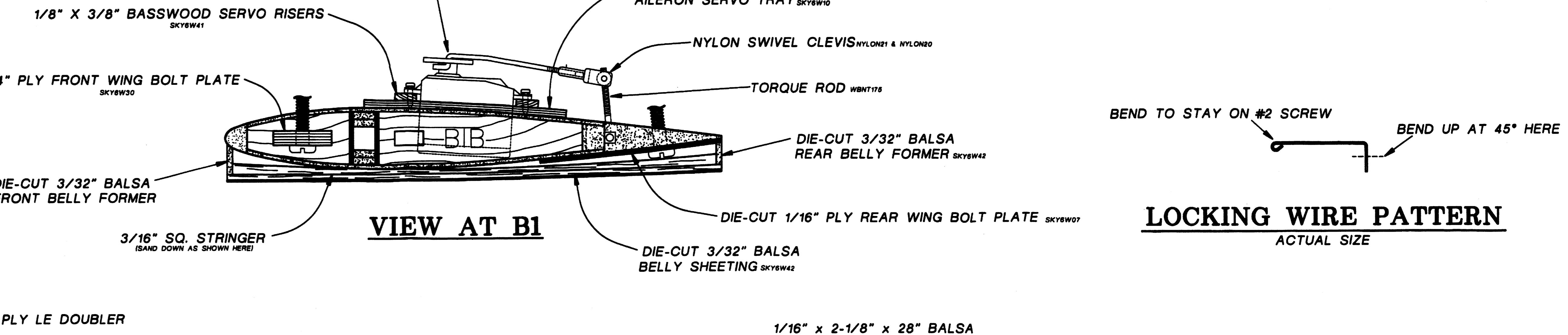
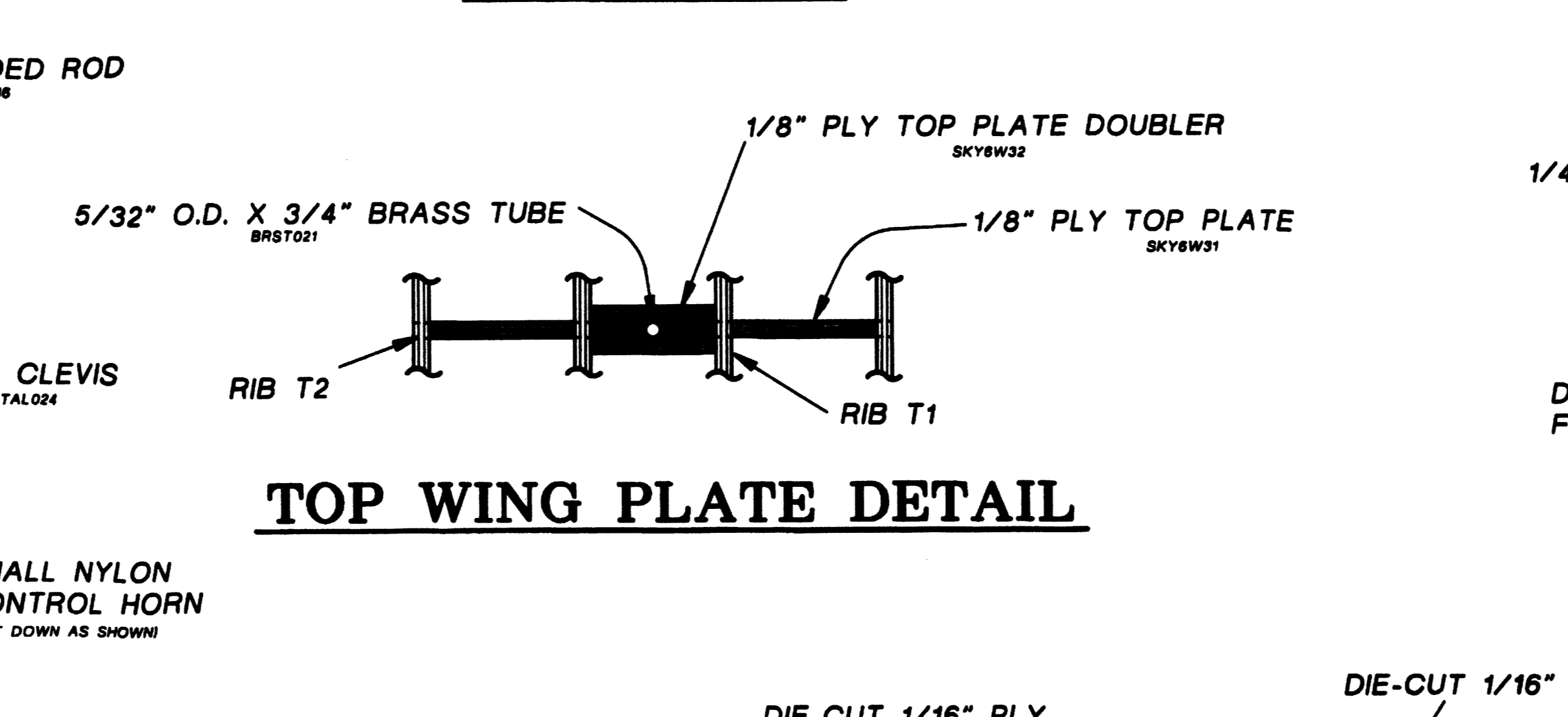
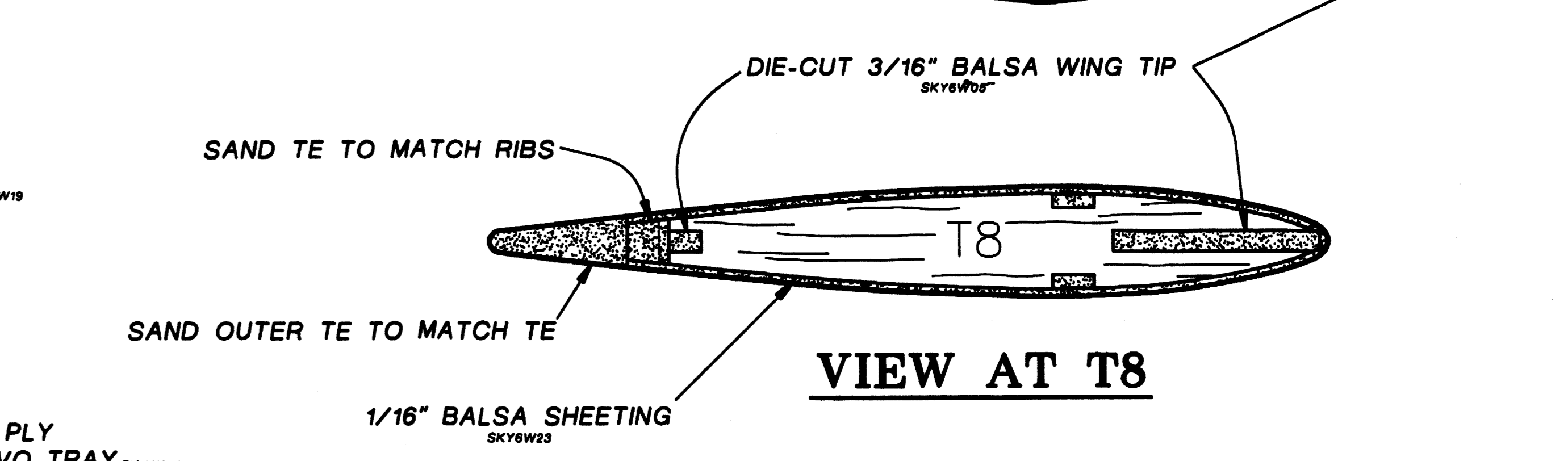
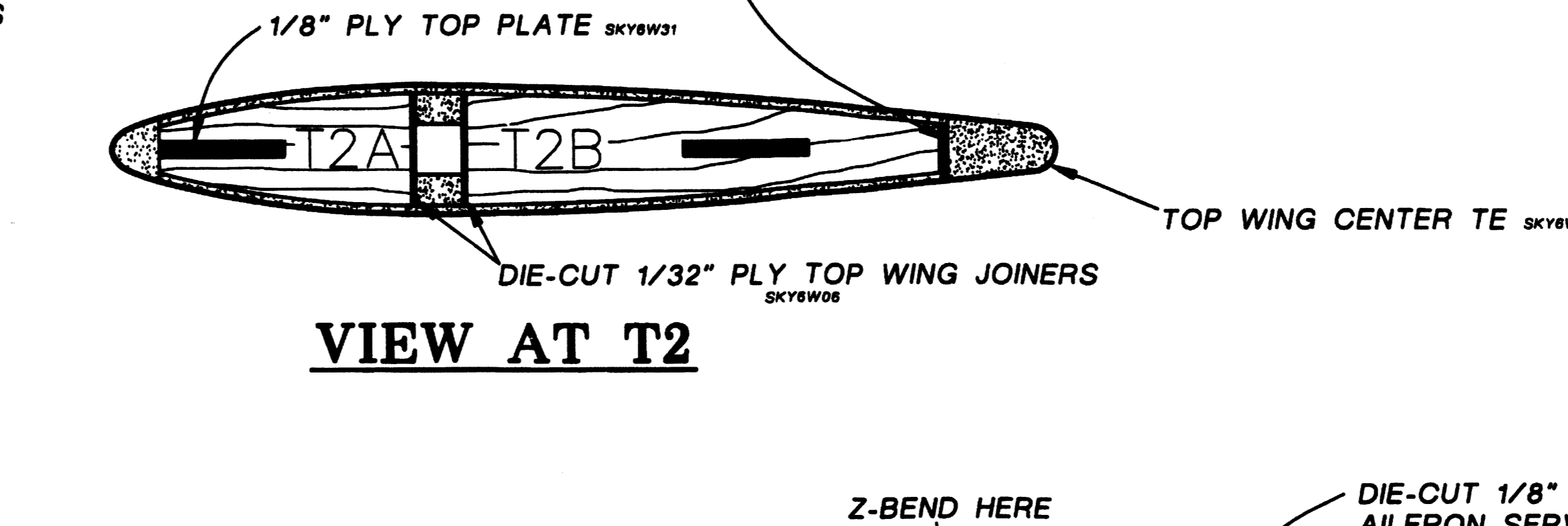
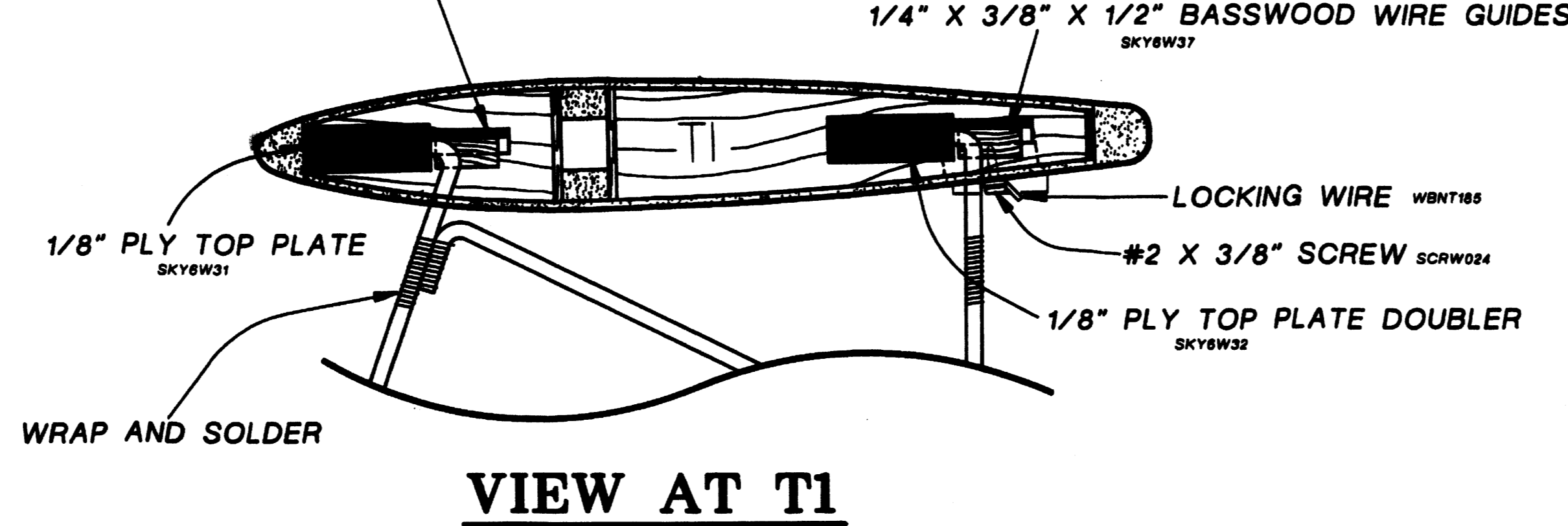
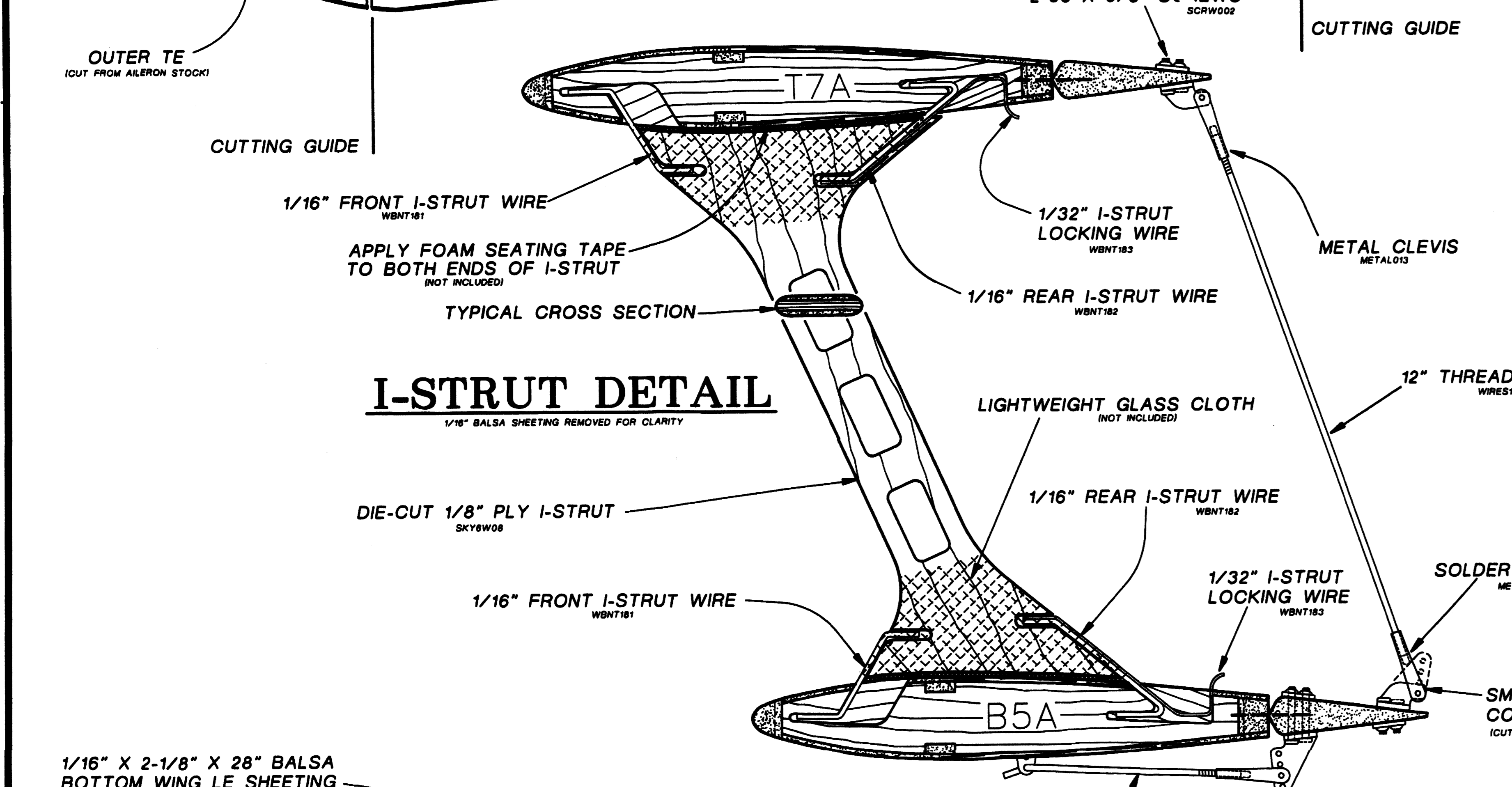
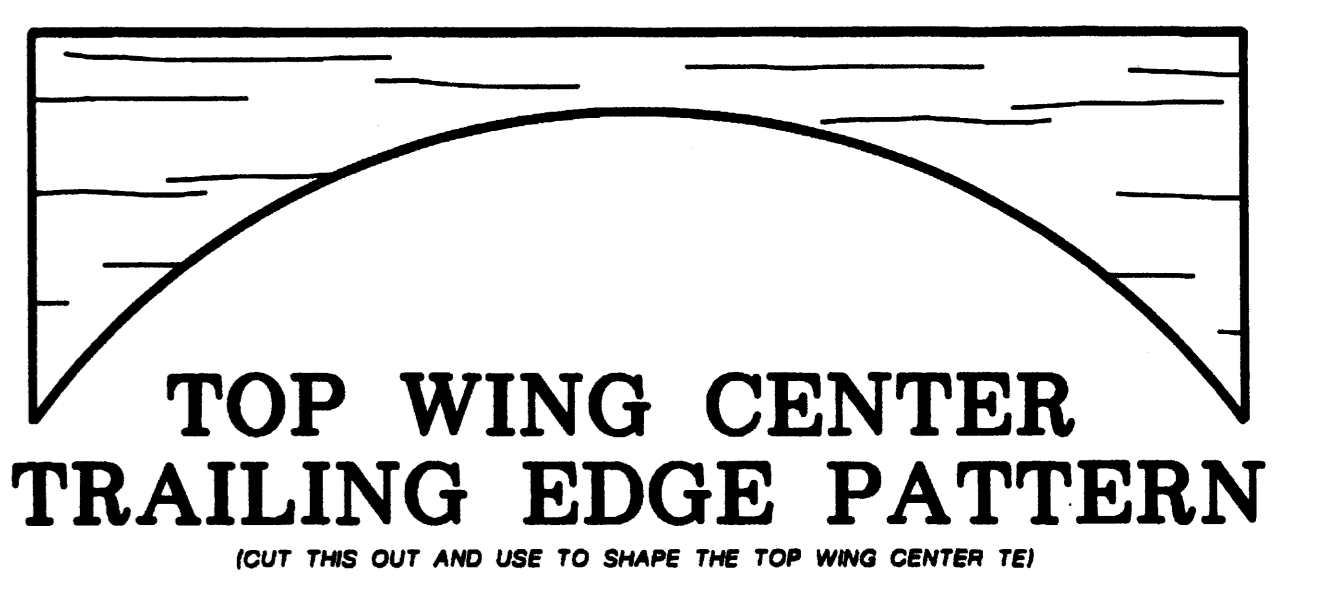
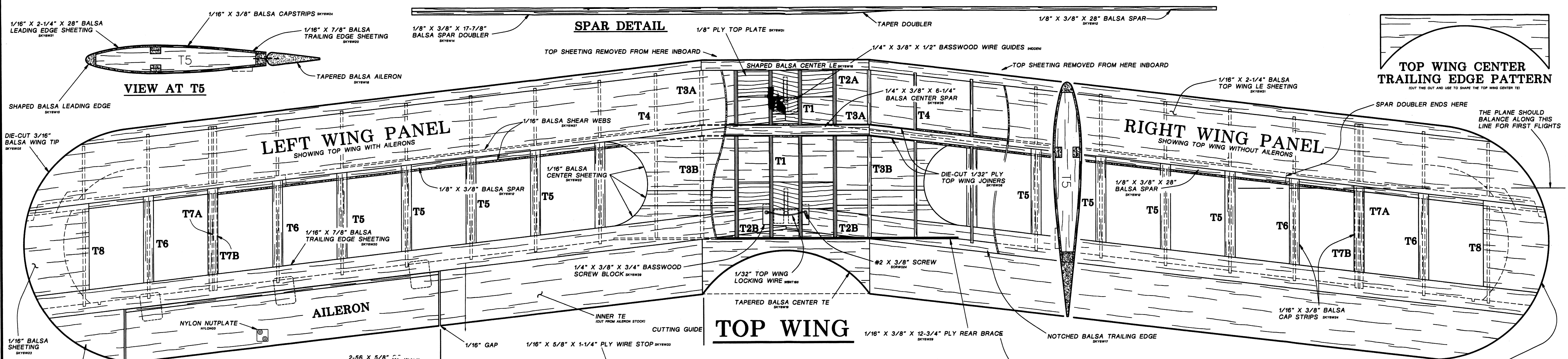
# SUPER SKYBOLT

DESIGNED AND DRAWN BY: PAUL CARLSON

GREAT PLANES MODEL MFG. CO  
706 W. BRADLEY URBANA, IL 61801

ALL COMMERCIAL RIGHTS RESERVED

PLAN NO. SKY6P01



**SUPER SKYBOLT**  
 DESIGNED AND DRAWN BY: PAUL CARLSON  
 GREAT PLANES MODEL MFG. CO  
 706 W. BRADLEY URBANA, IL 61801  
 ALL COMMERCIAL RIGHTS RESERVED