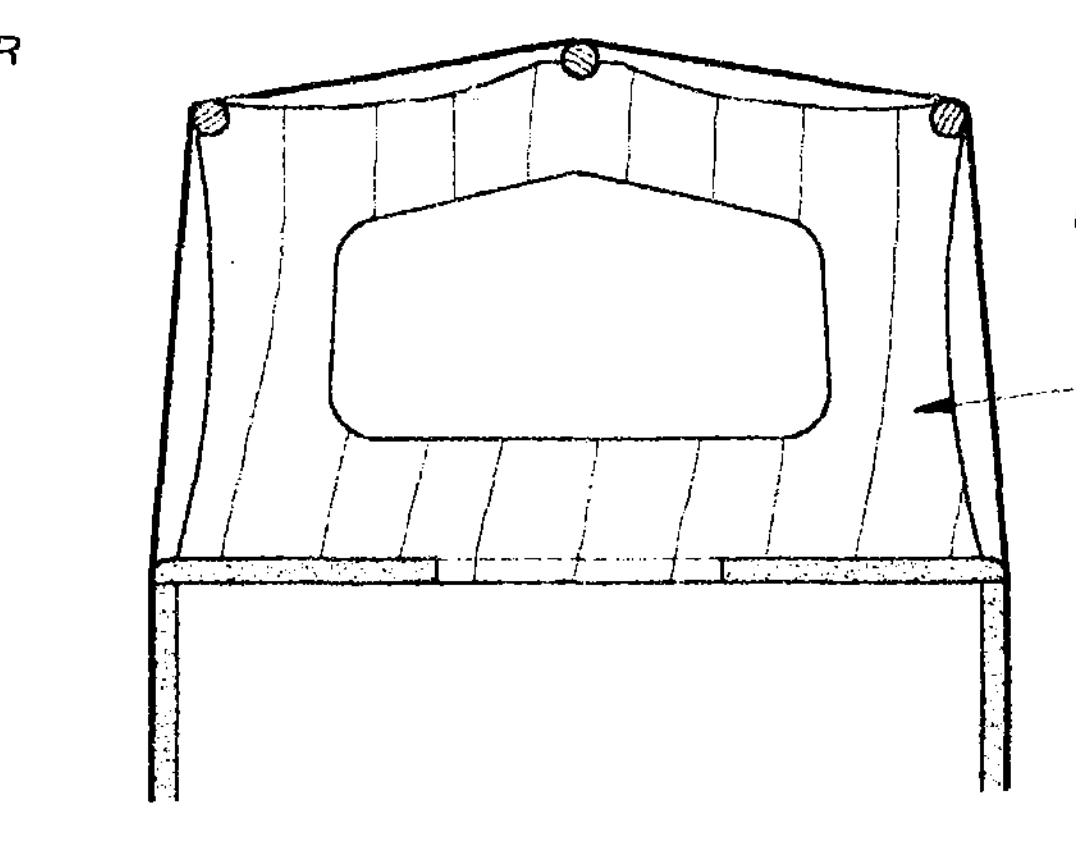
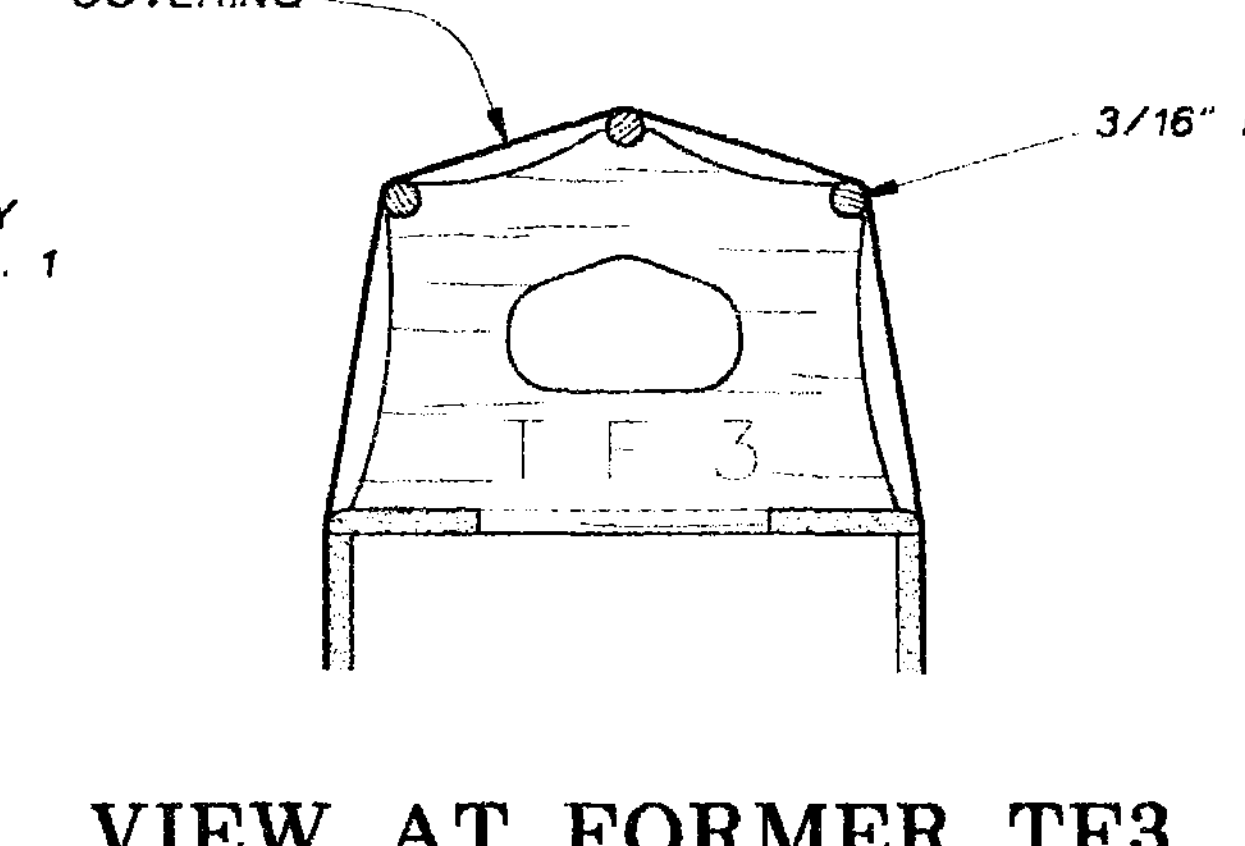


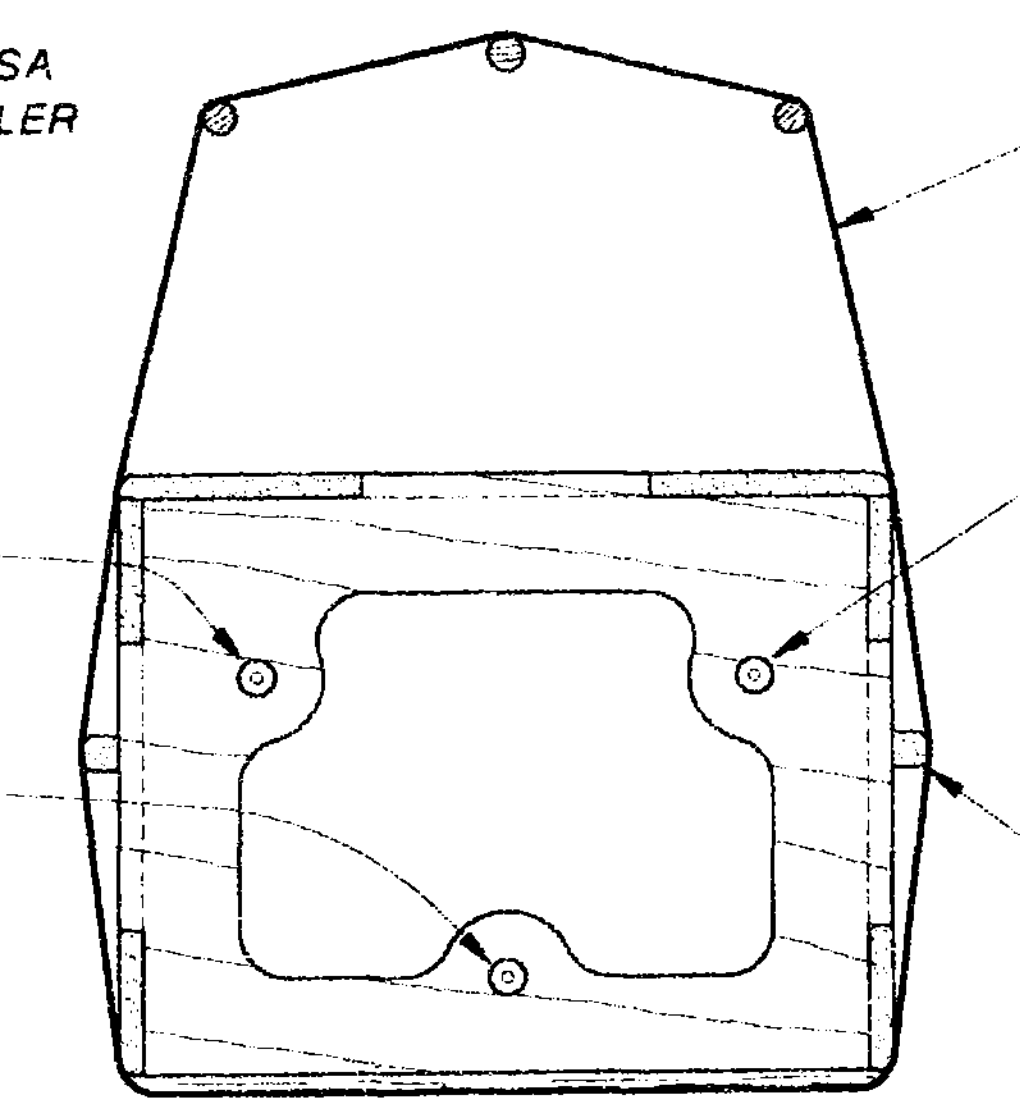
VIEW AT FORMER F3
(FROM THE FRONT)



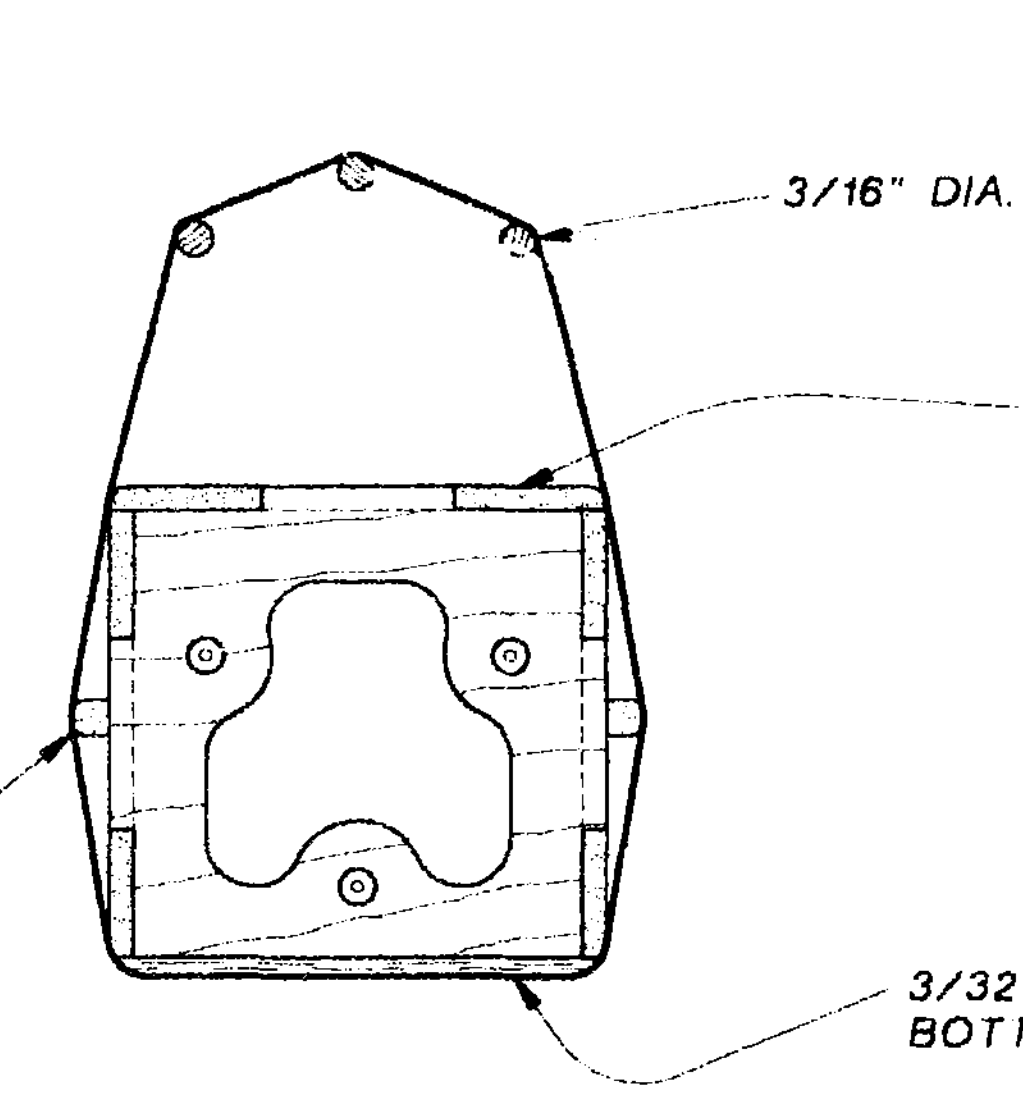
VIEW AT FORMER TF1



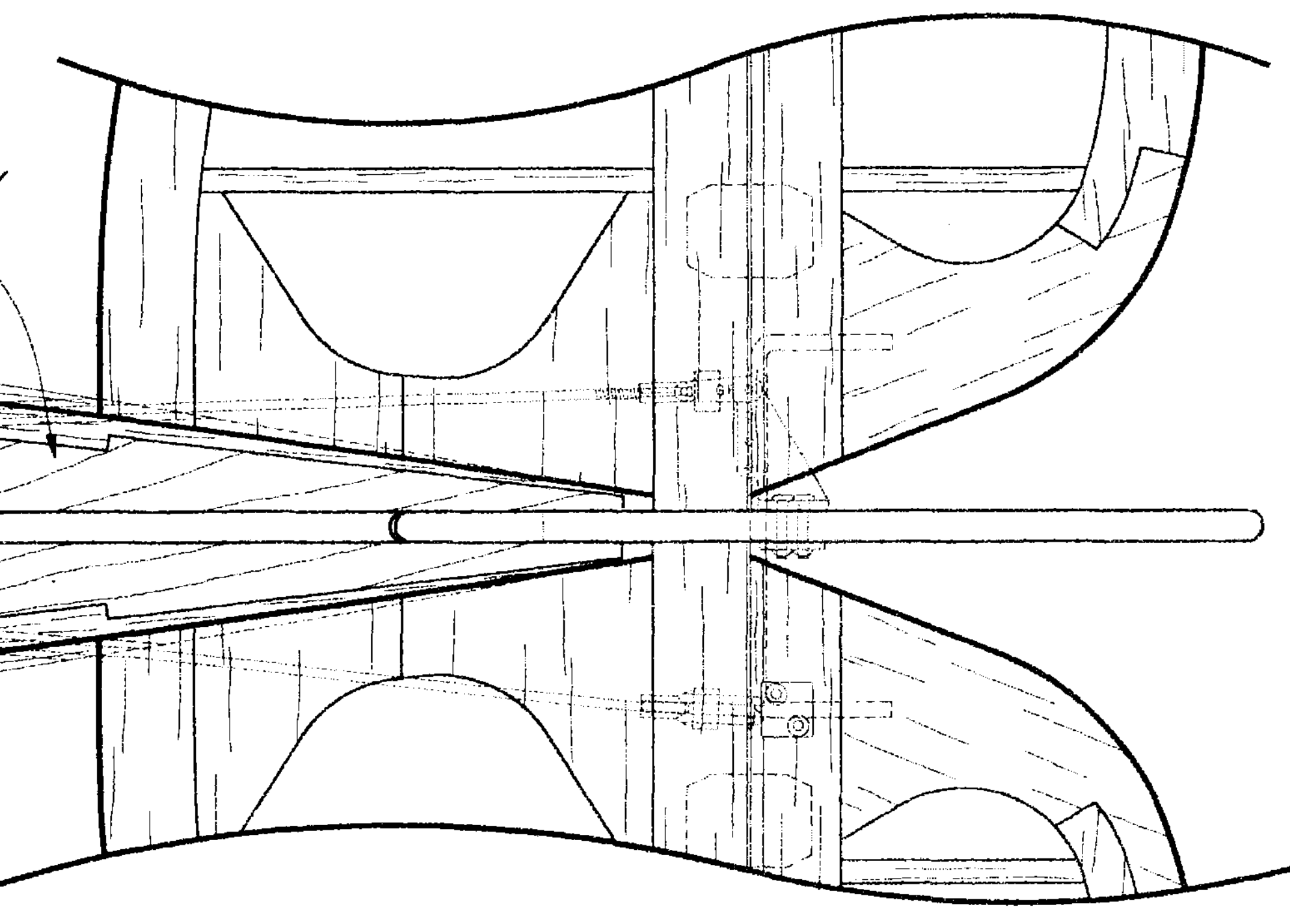
VIEW AT FORMER TF3



VIEW AT FORMER F4
(FROM THE FRONT)



VIEW AT FORMER F5
(FROM THE FRONT)



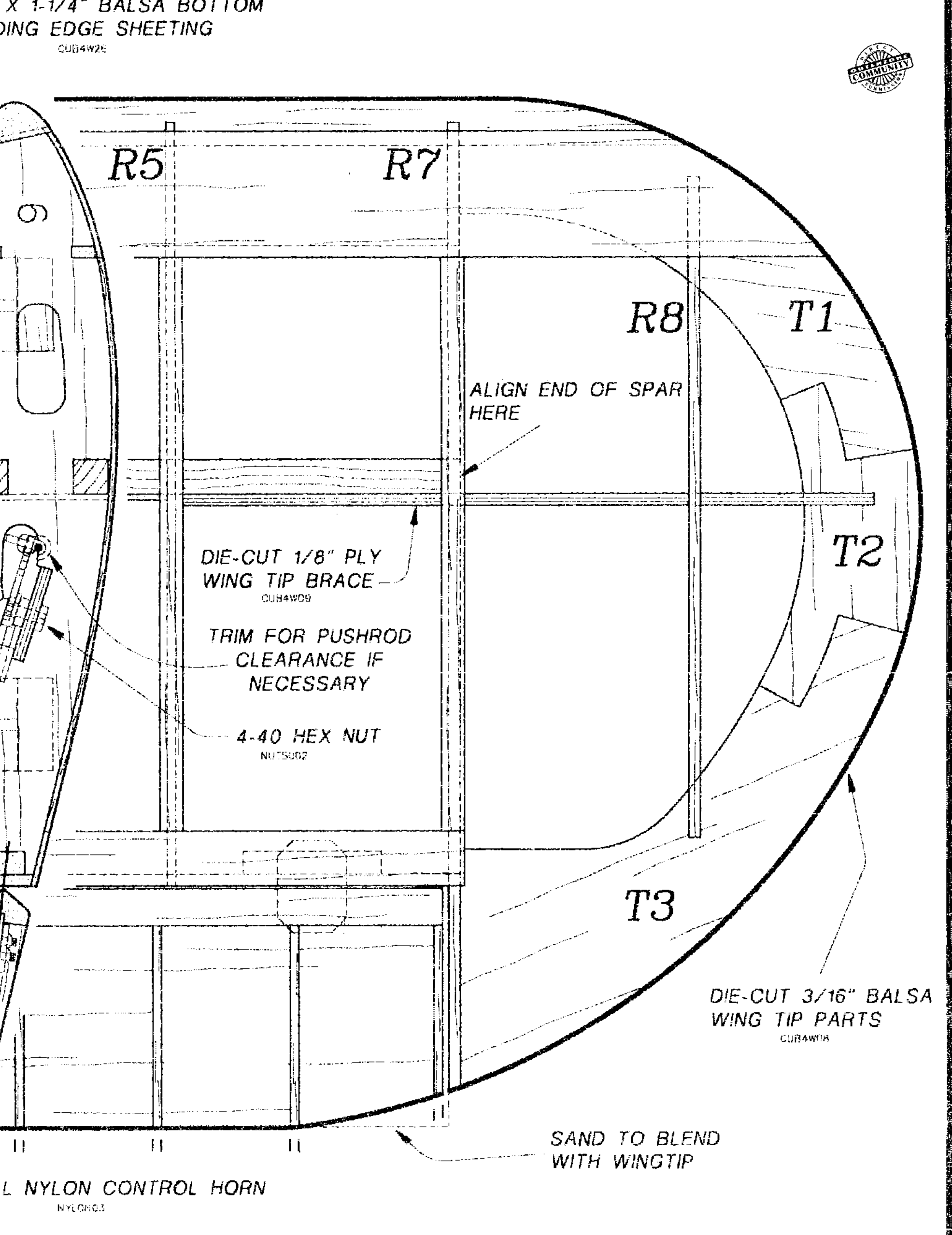
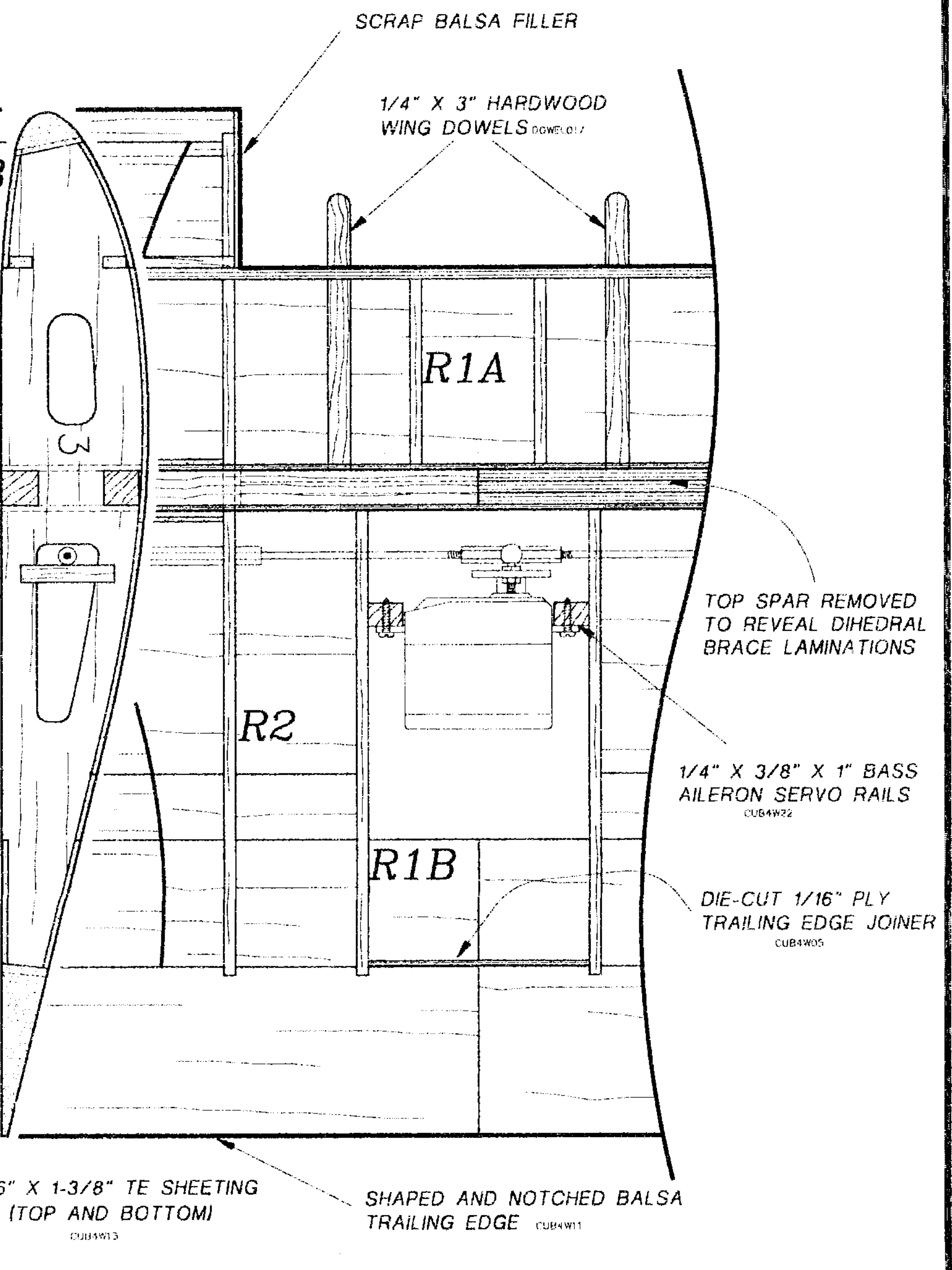
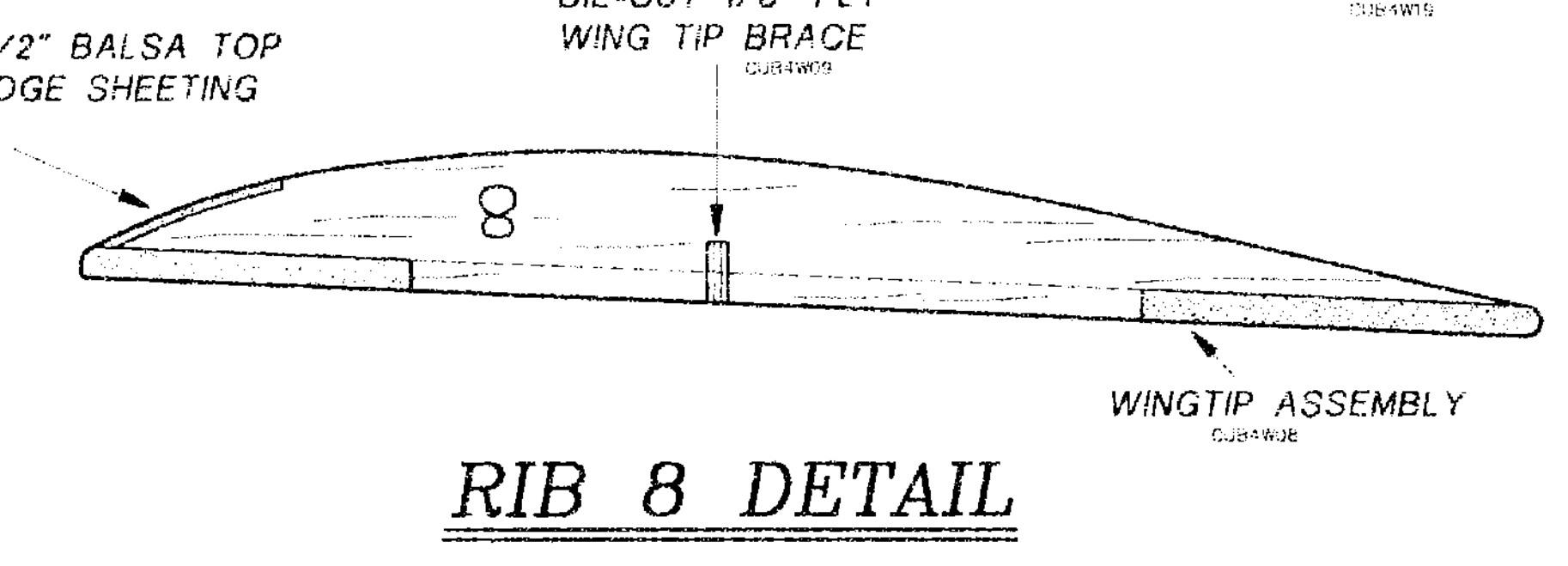
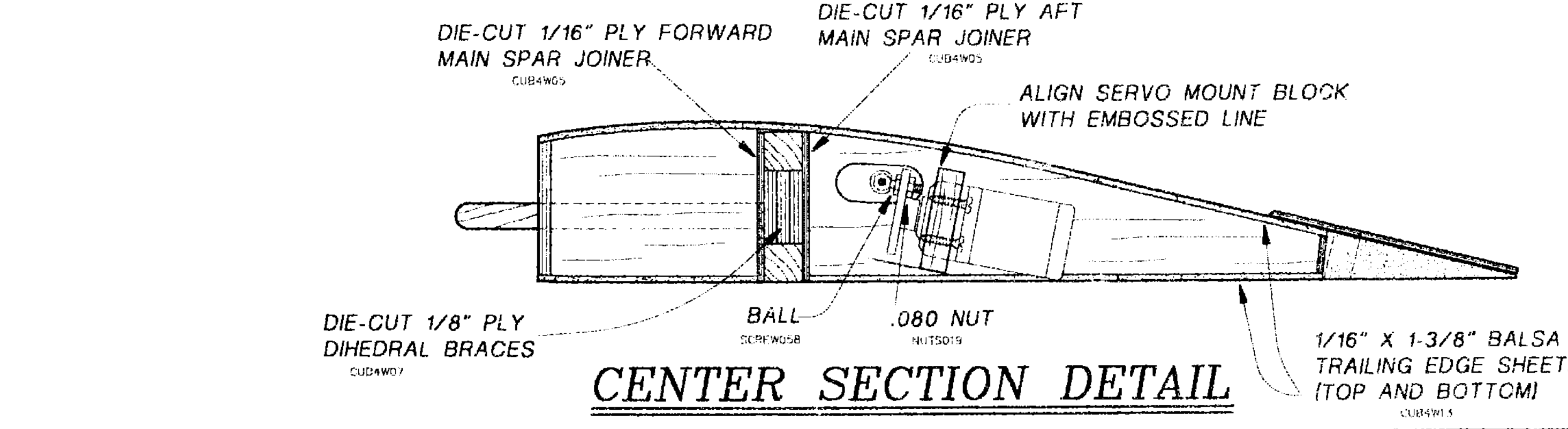
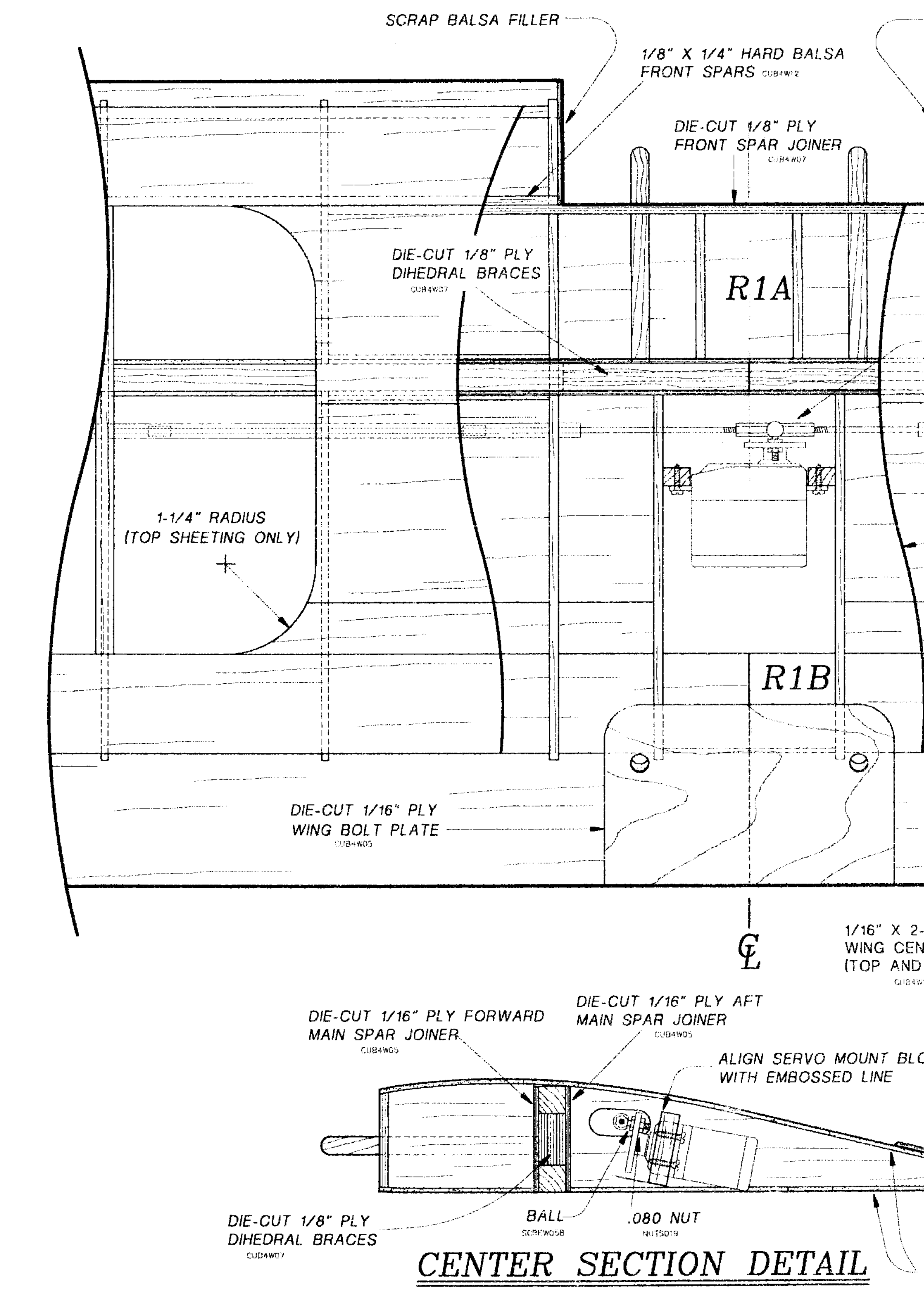
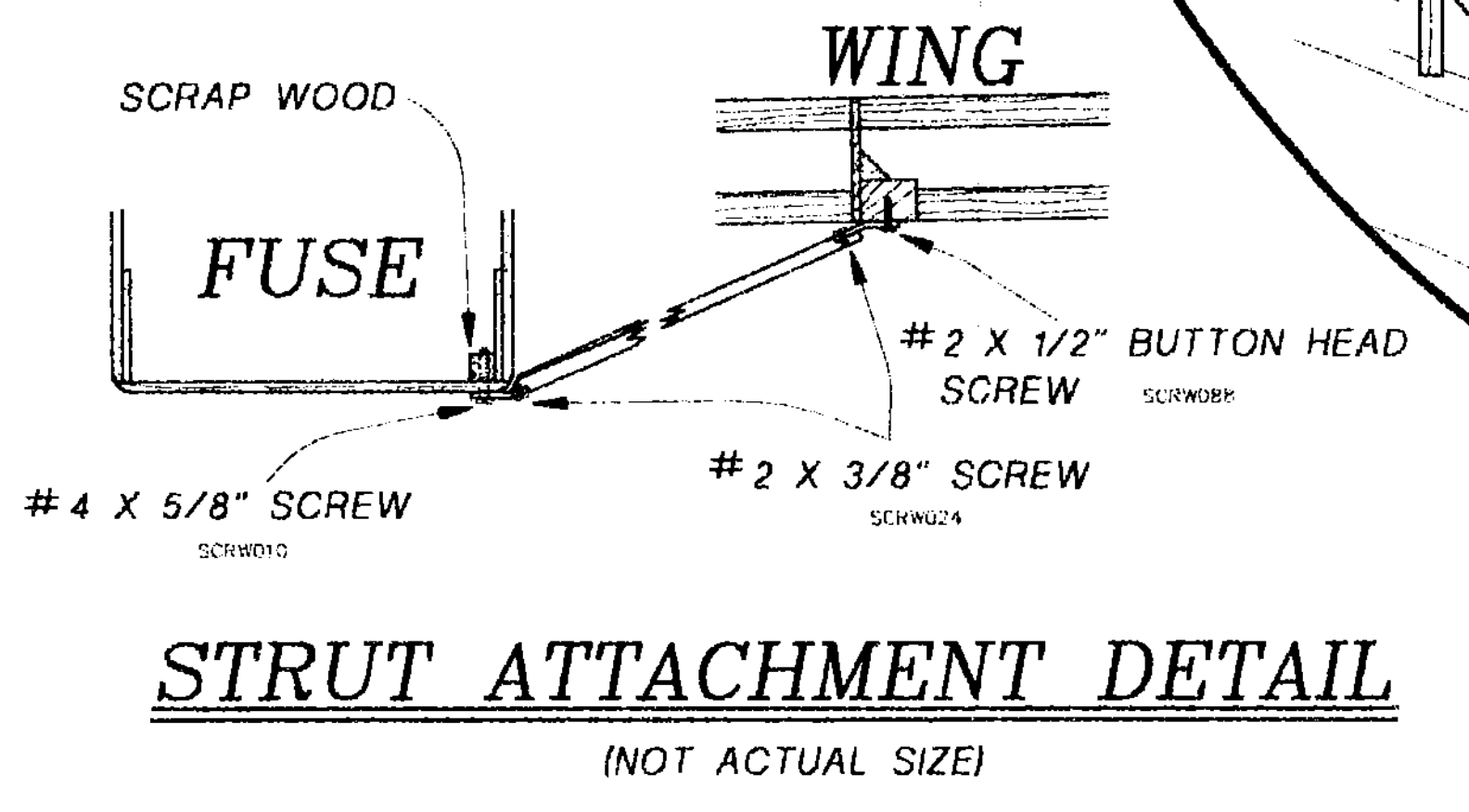
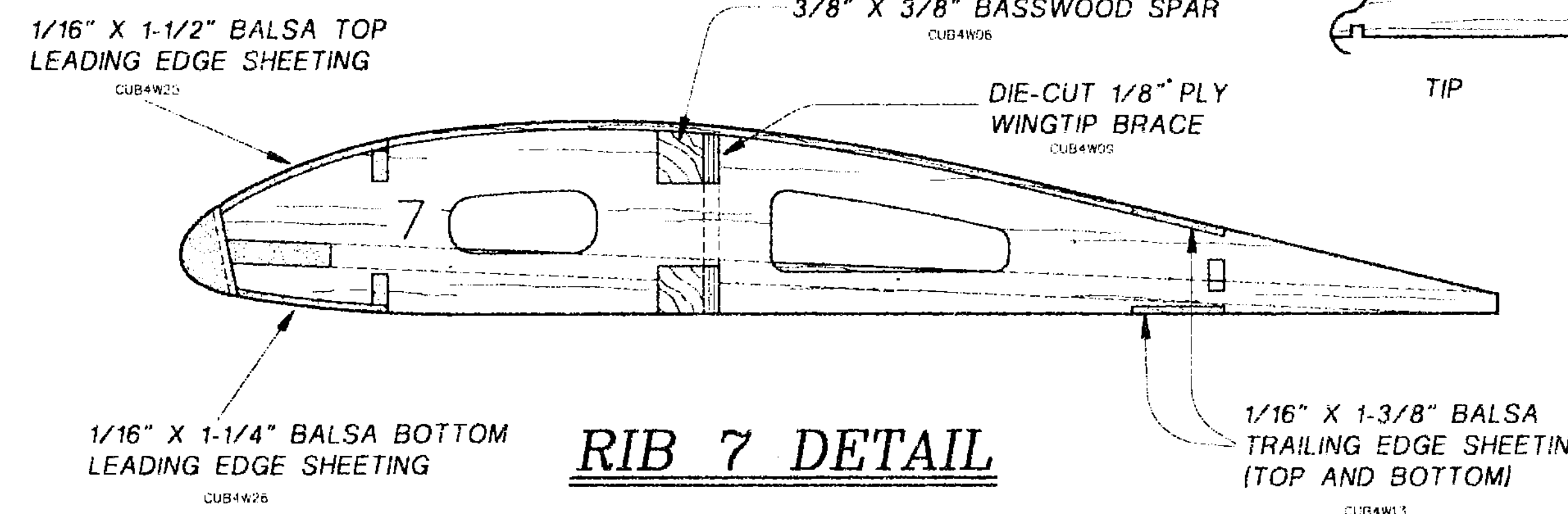
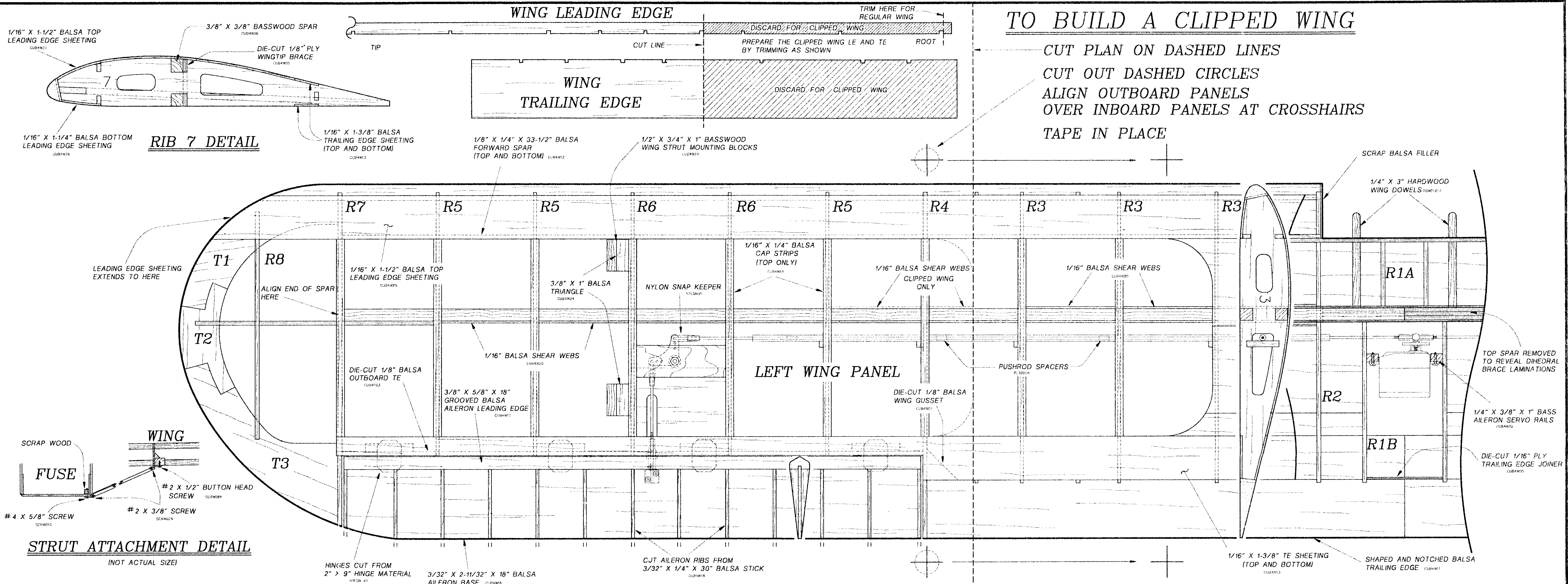
SHEET 1 OF 2 - FUSELAGE PLAN PLAN NO. CUB4P01

PIPER CUB

DESIGNED BY: PAUL CARLSON DRAWN BY: PAUL CARLSON

GREAT PLANES MODEL MFG. CO
706 W. BRADLEY URBANA, IL 61801

ALL COMMERCIAL RIGHTS RESERVED



SHEET 2 OF 2 - WING PLAN

PLAN NO. CUB4P02

PIPER CUB

DESIGNED BY: PAUL CARLSON DRAWN BY: CRAIG GOLEMA

GREAT PLANES MODEL MFG. CO

706 W. BRADLEY URBANA, IL 61801

ALL COMMERCIAL RIGHTS RESERVED