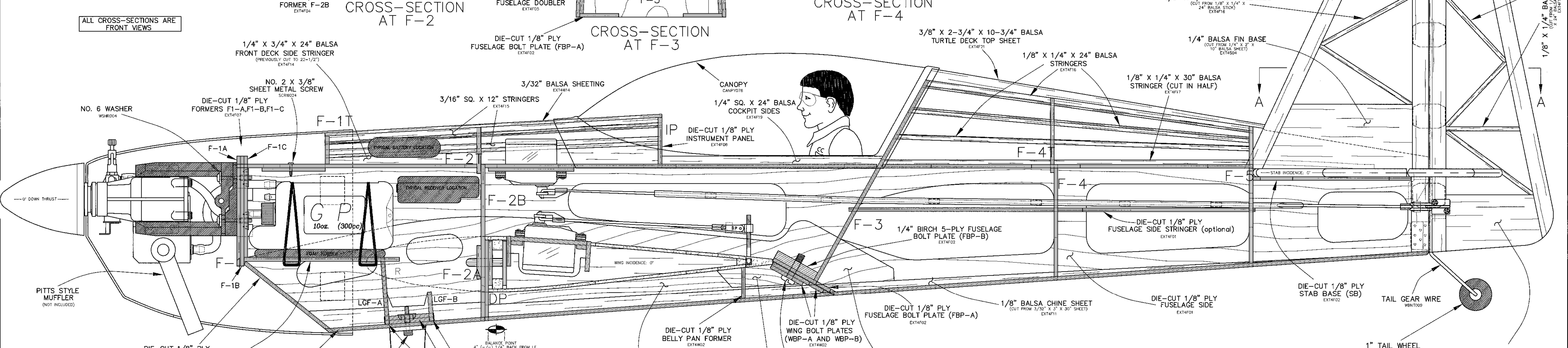
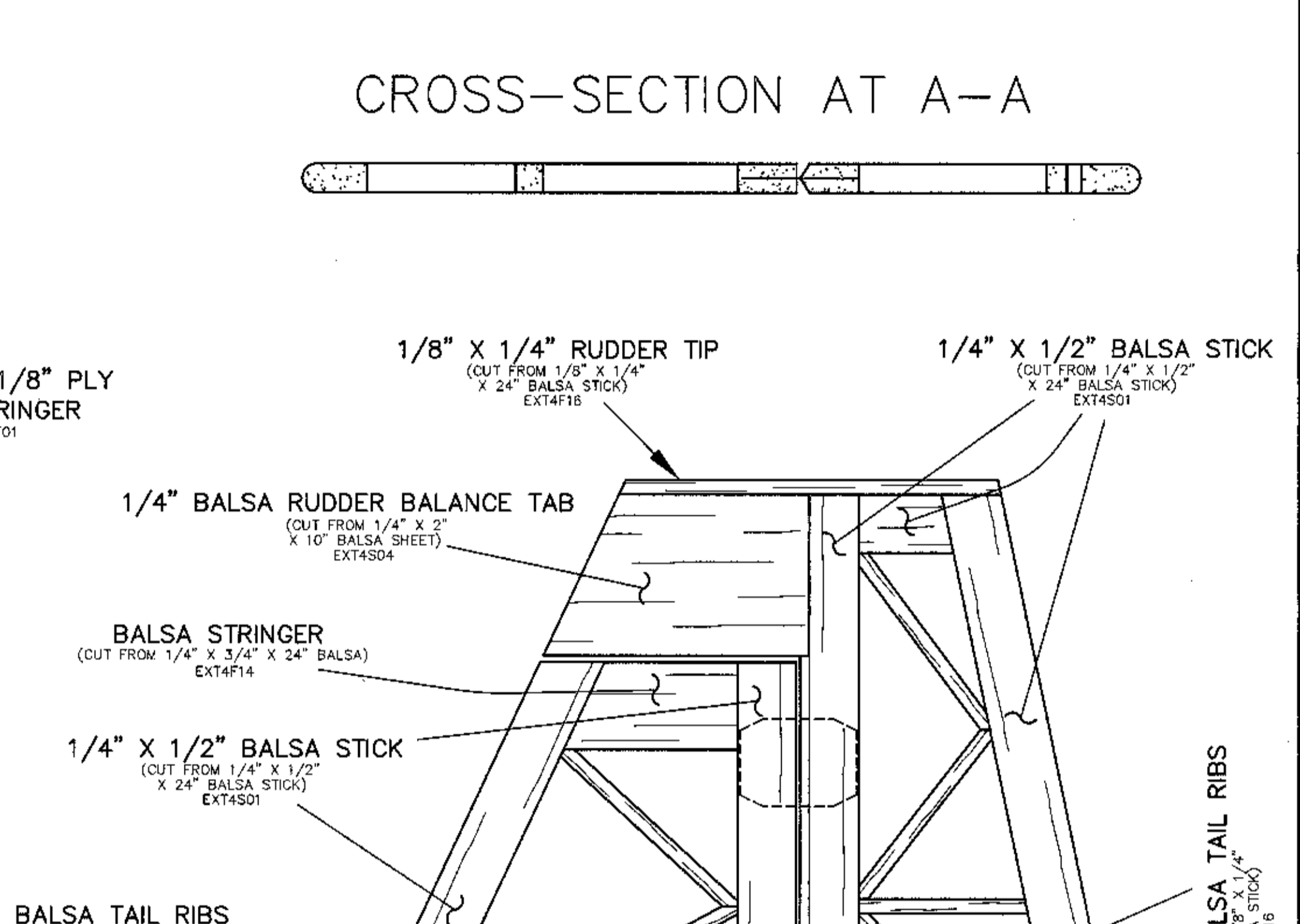
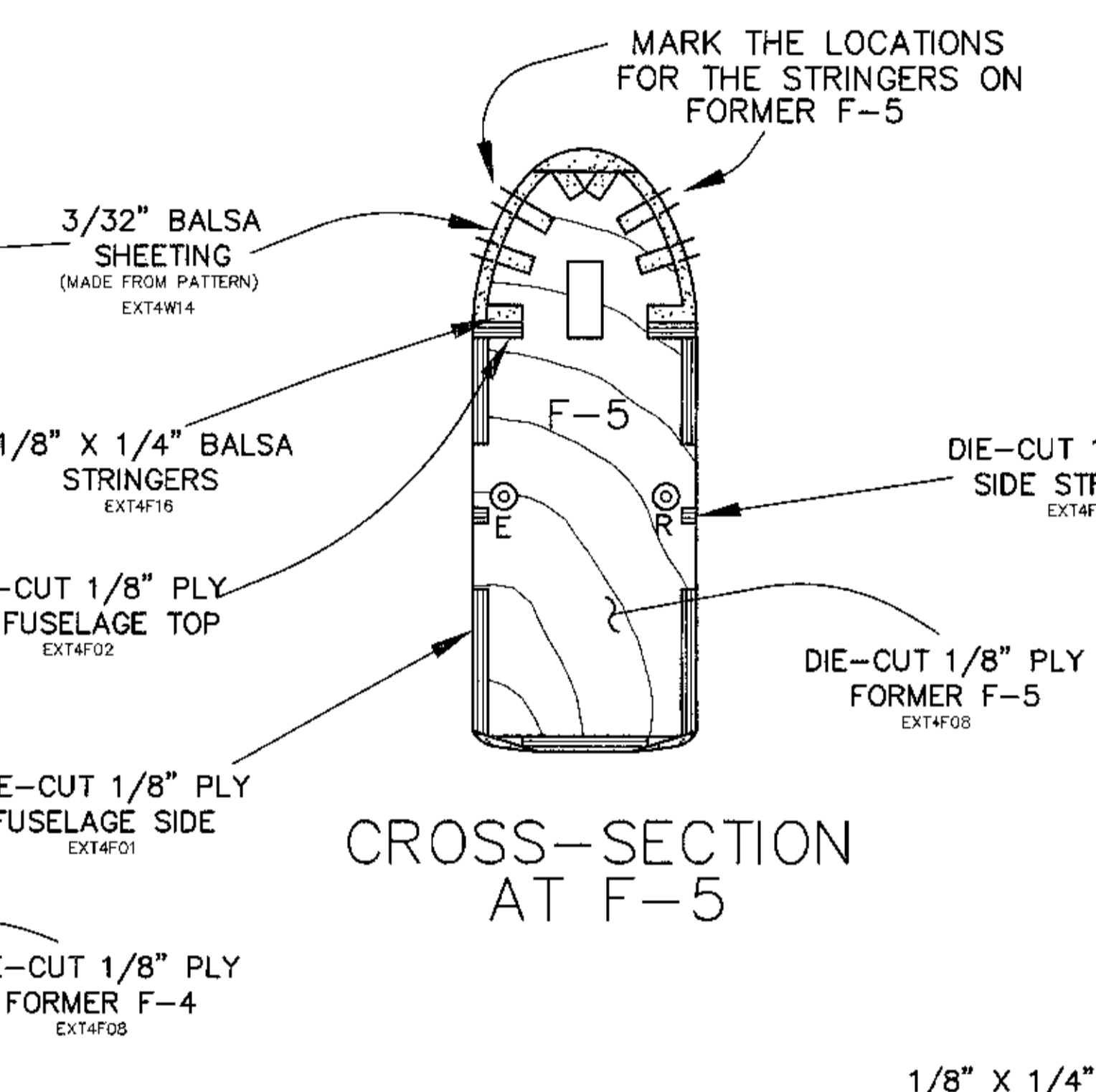
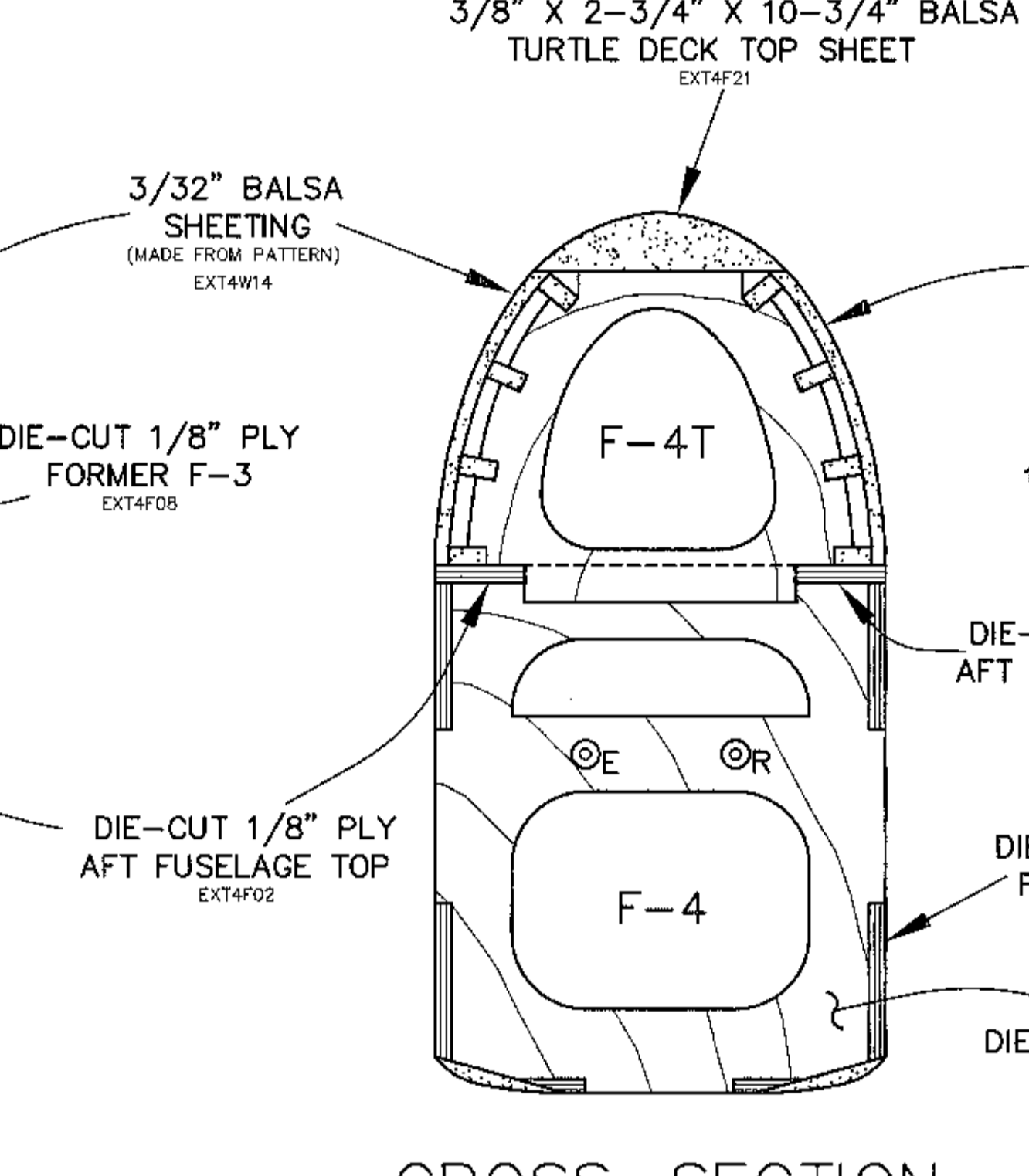
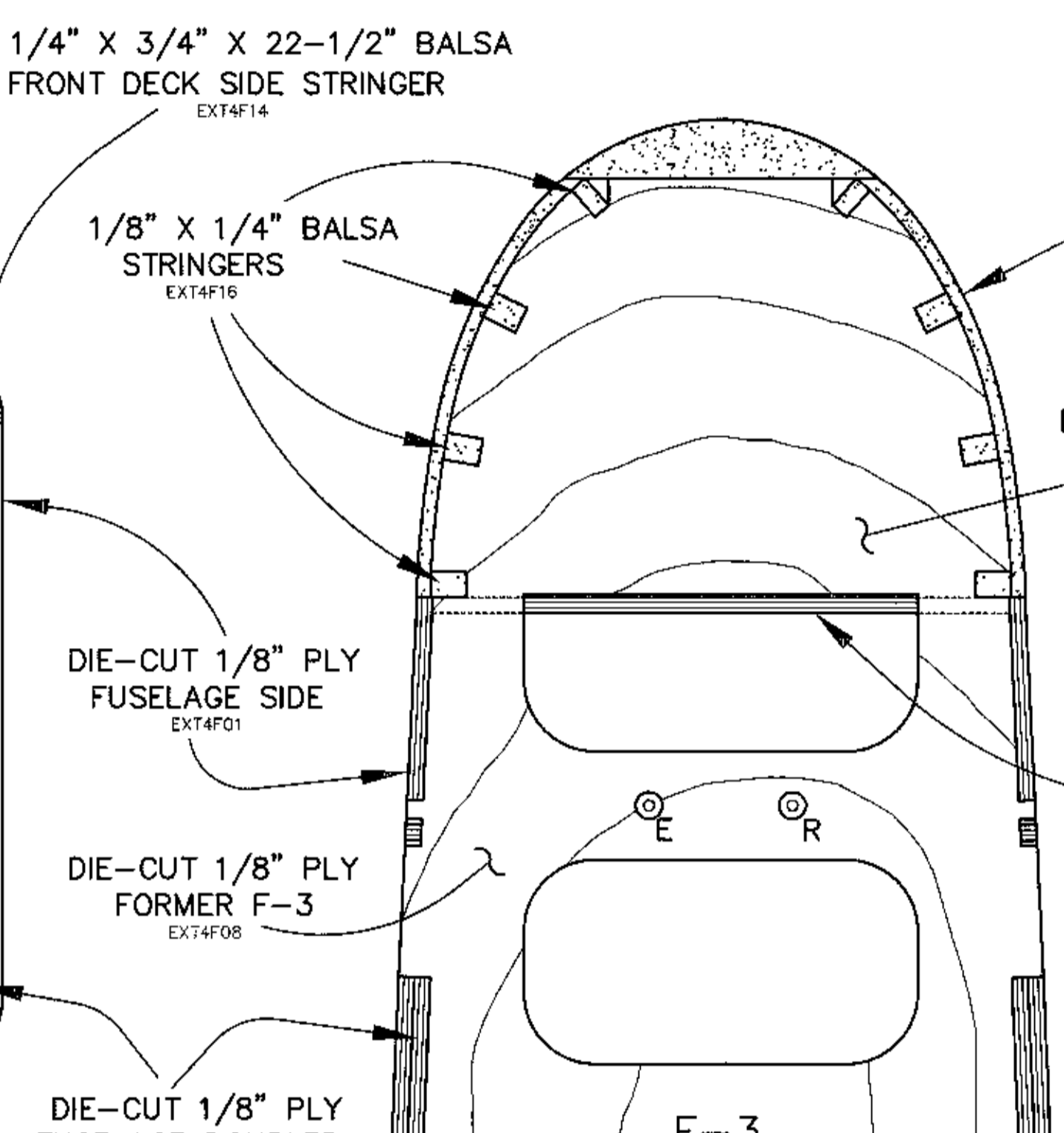
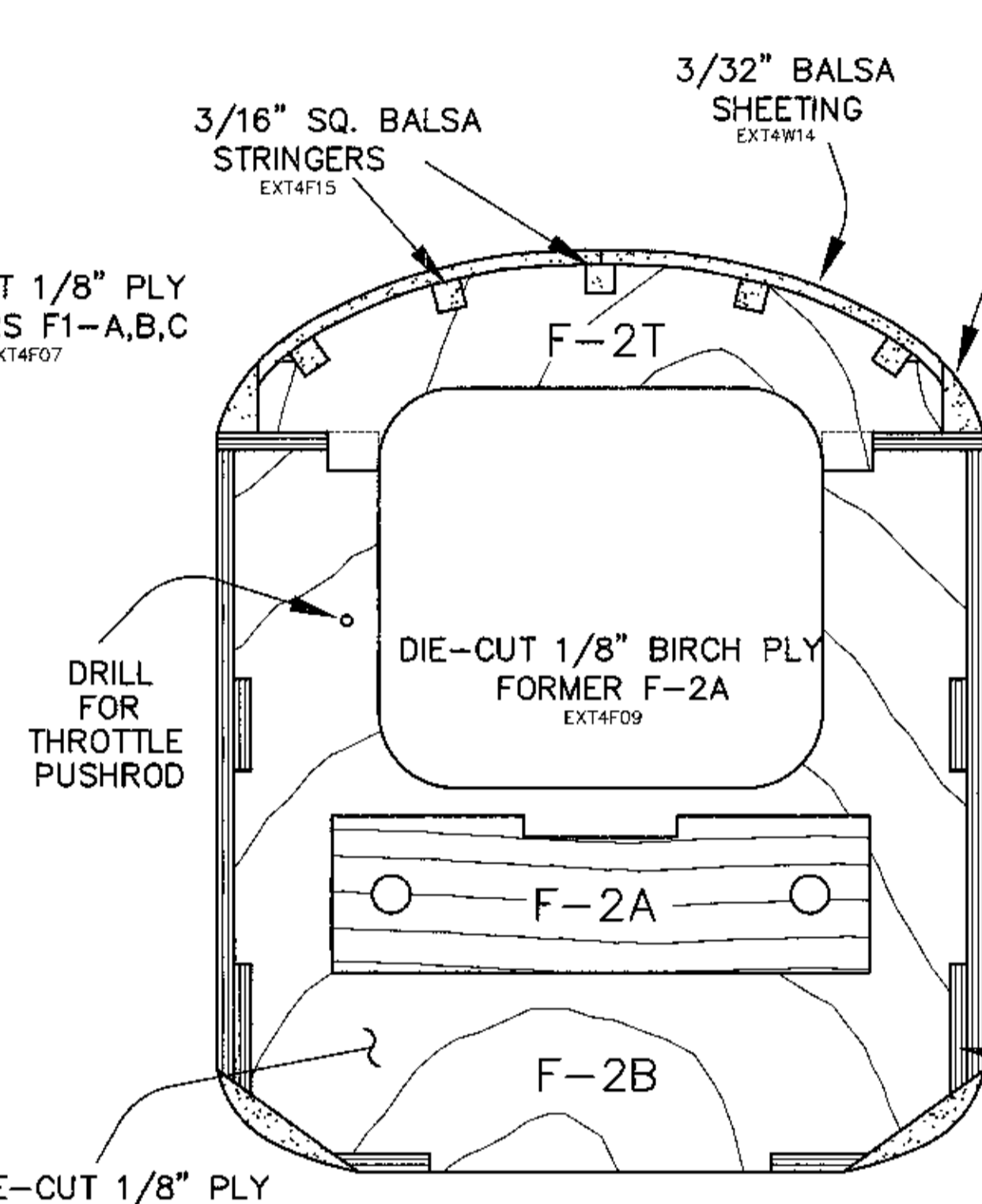
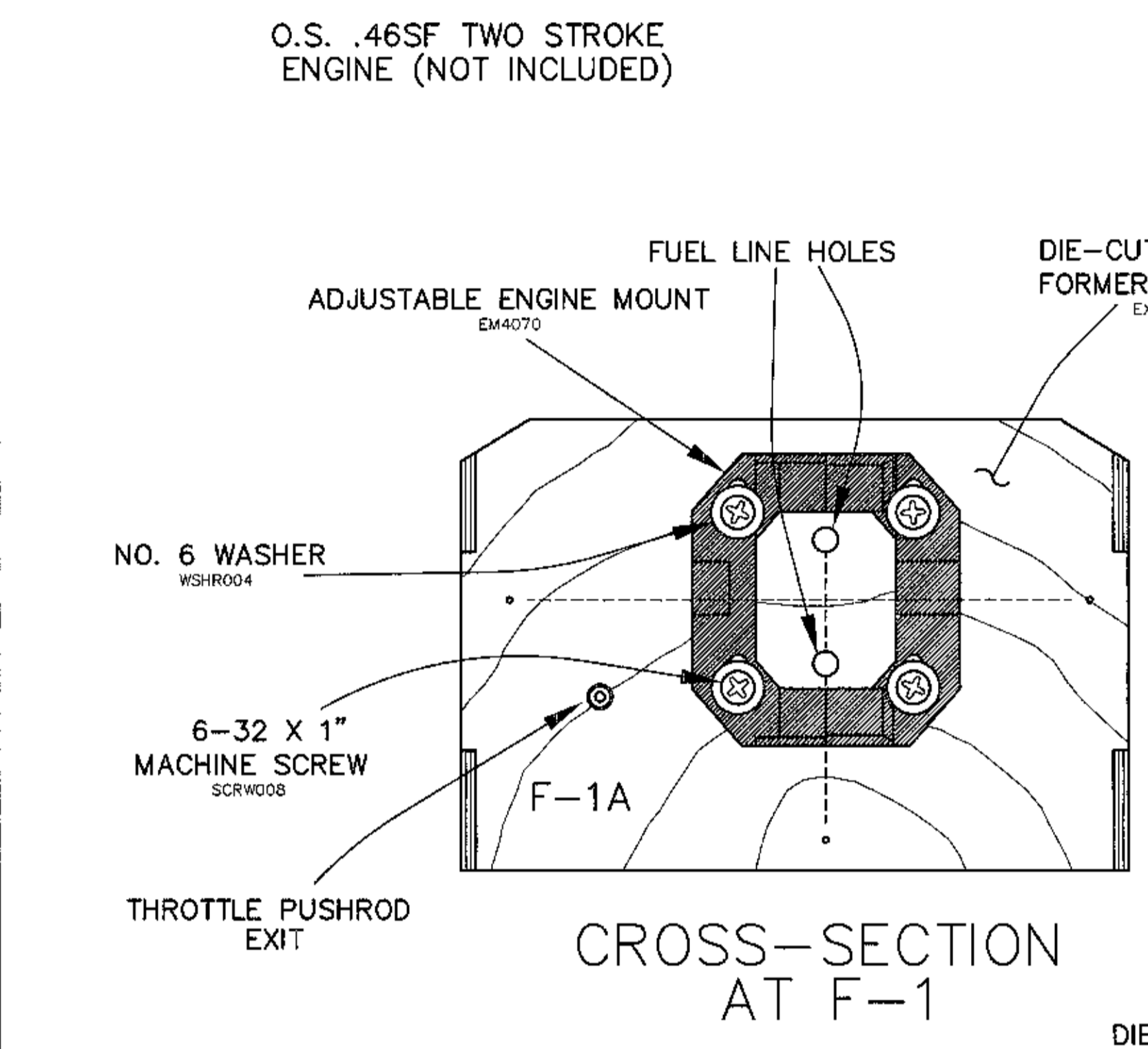
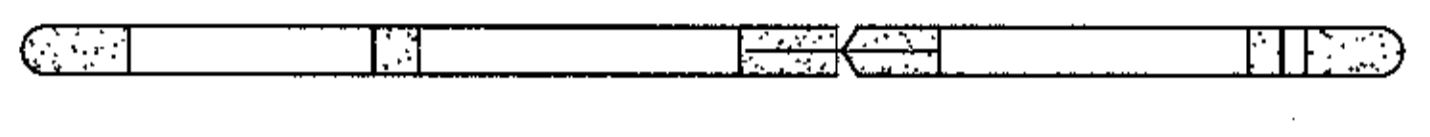


FUSELAGE BOTTOM VIEW

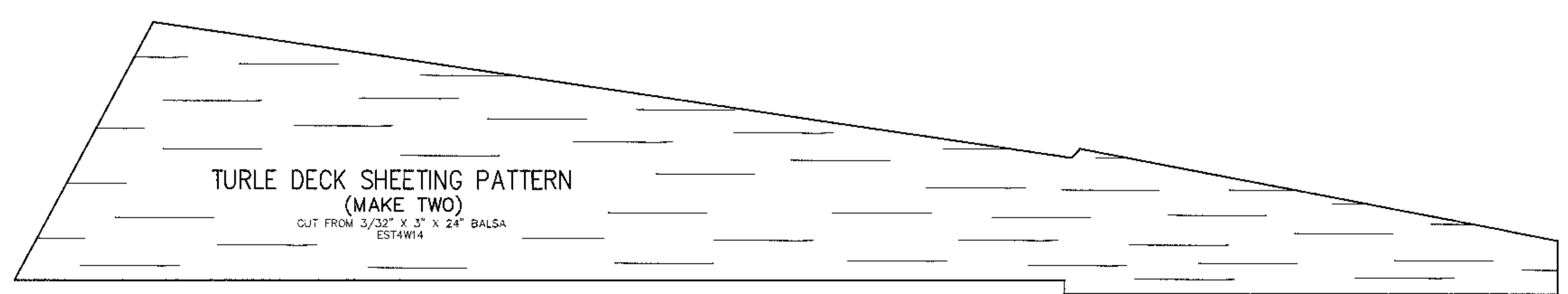
ALIGN THE FUSELAGE ON THIS VIEW.
NOTE: BOTTOM PLY AND SHEETING REMOVED FOR CLARITY.

CROSS-SECTION AT A-A



FUSELAGE SIDE VIEW

NOTE: LEFT SIDE PLY, SHEETING AND STRINGERS REMOVED FOR CLARITY.



FUSELAGE PLAN PLAN NO: EXT4P02

EXTRA 300S

DESIGNED BY: NEIL LIPTAK
KIT ENGINEERING BY: NEIL LIPTAK AND GREG DUISMAN
INSTRUCTIONS BY: TIM LAMPE
DRAWN BY: GREG DUISMAN



