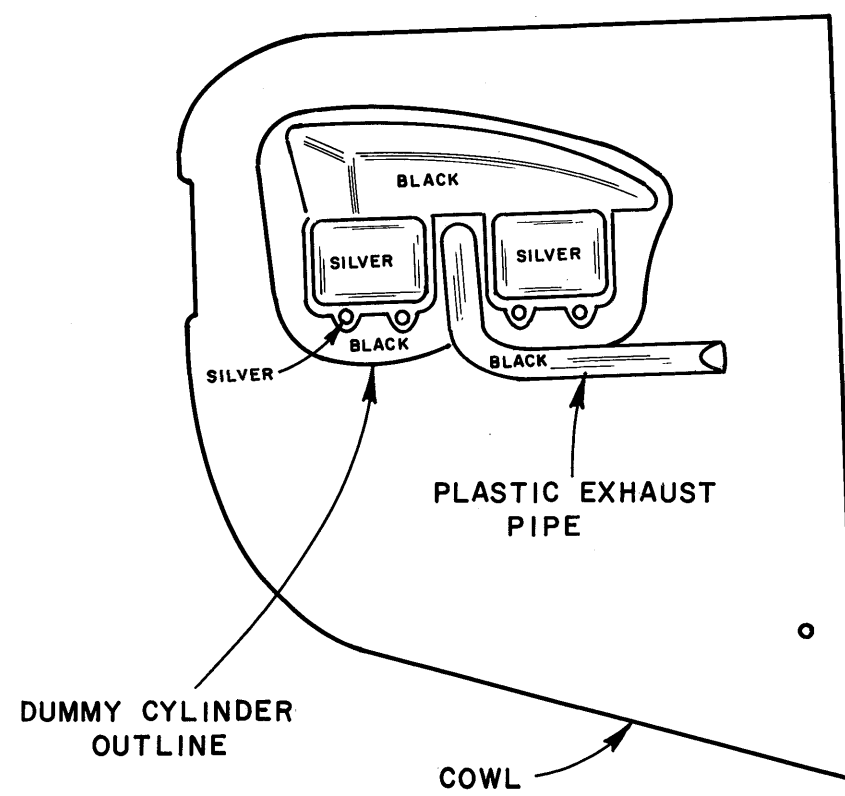
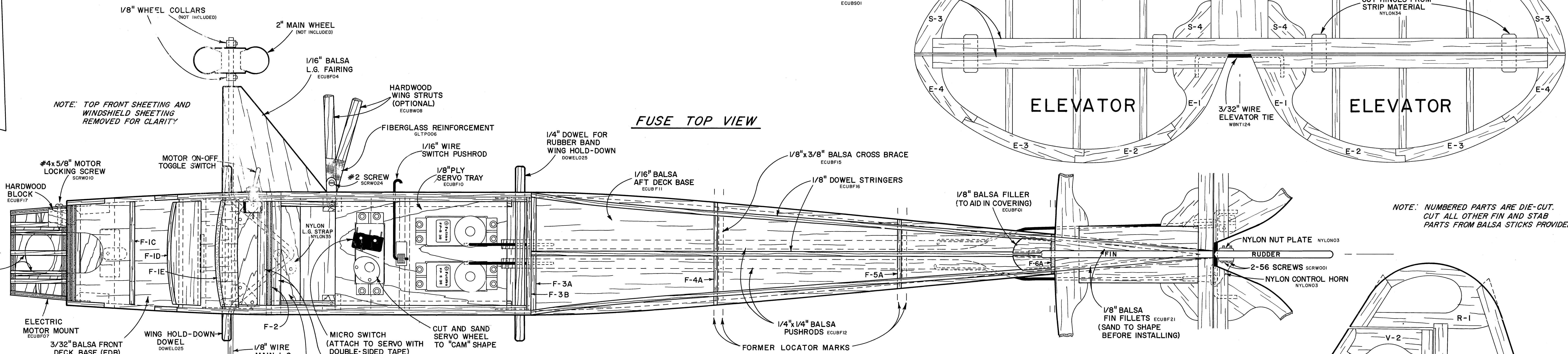


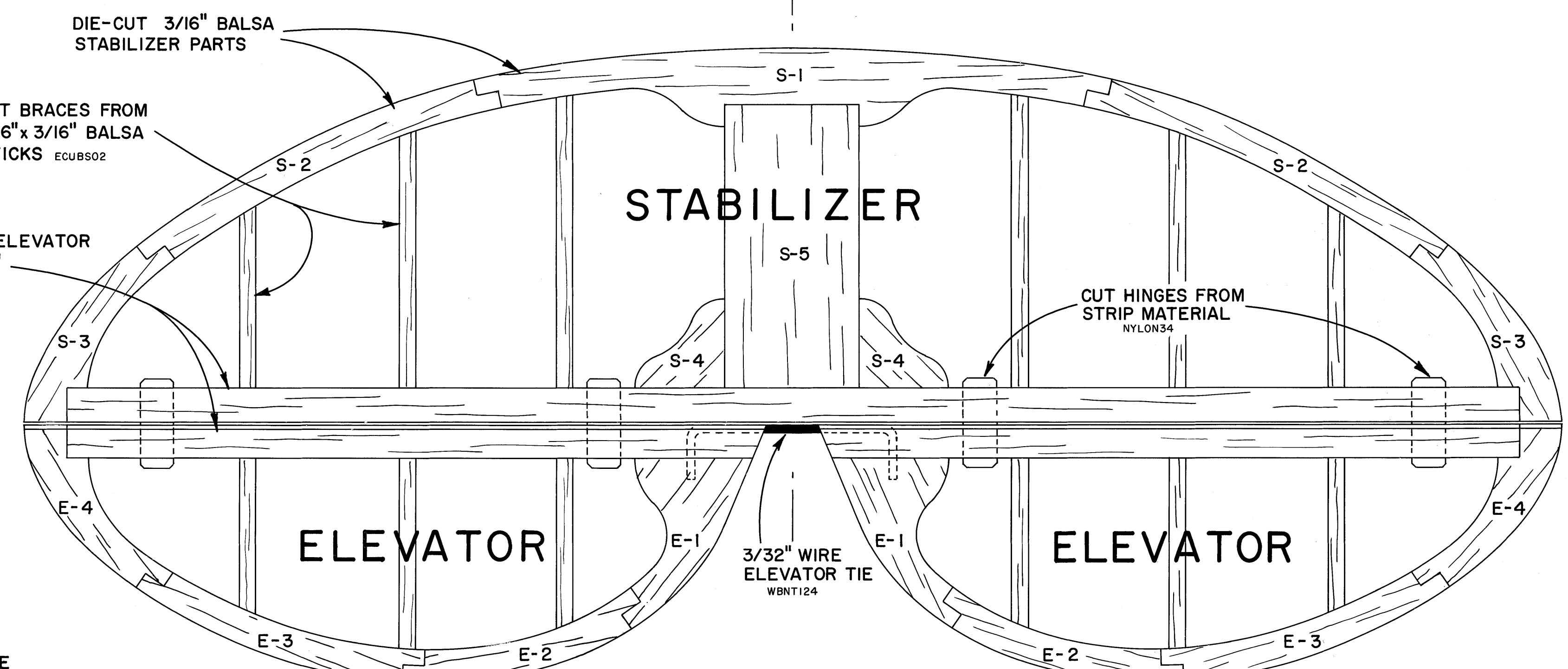
**DUMMY CYLINDER MOUNTING DETAIL**



NOTE: TOP FRONT SHEETING AND WINDSHIELD SHEETING REMOVED FOR CLARITY

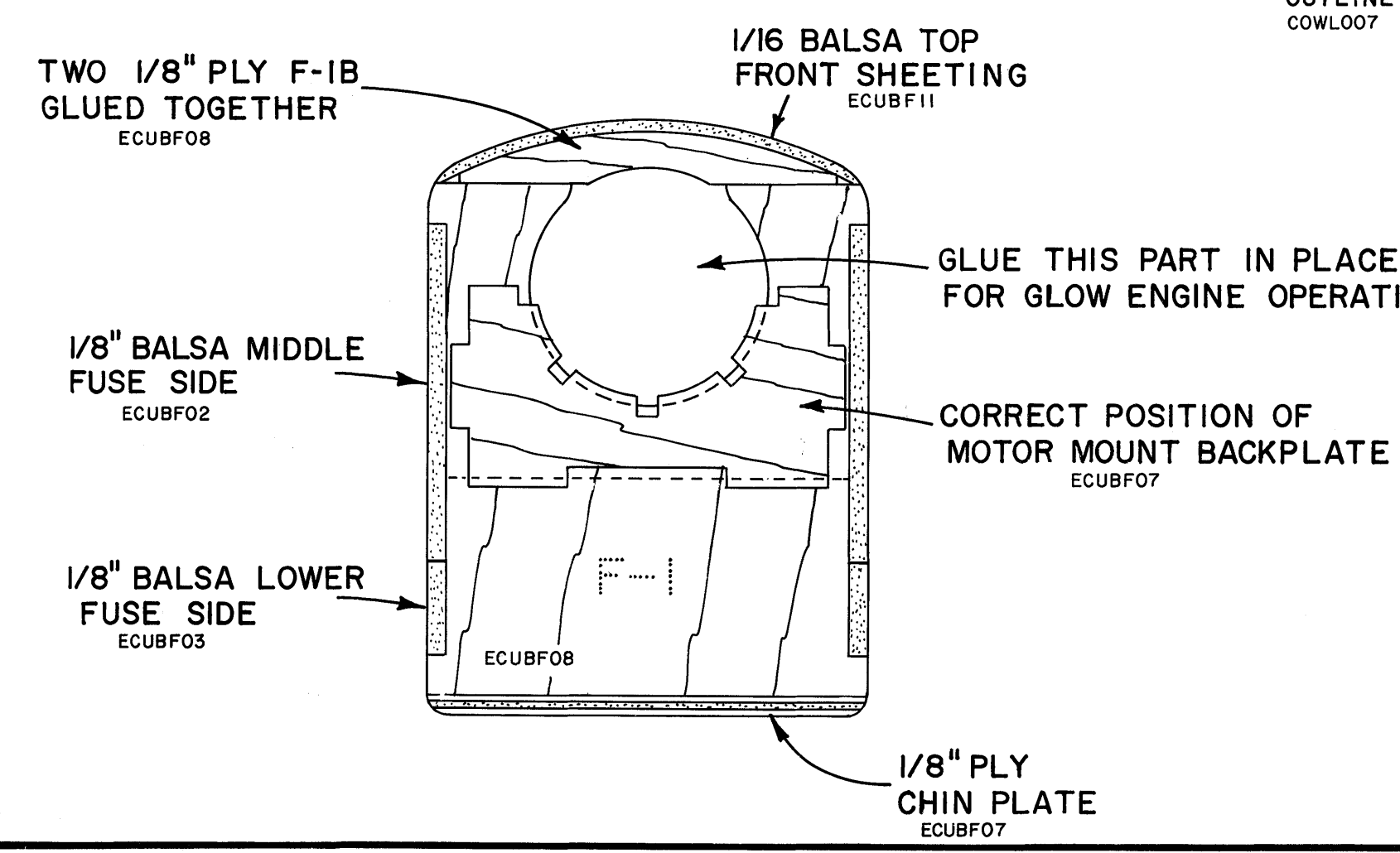
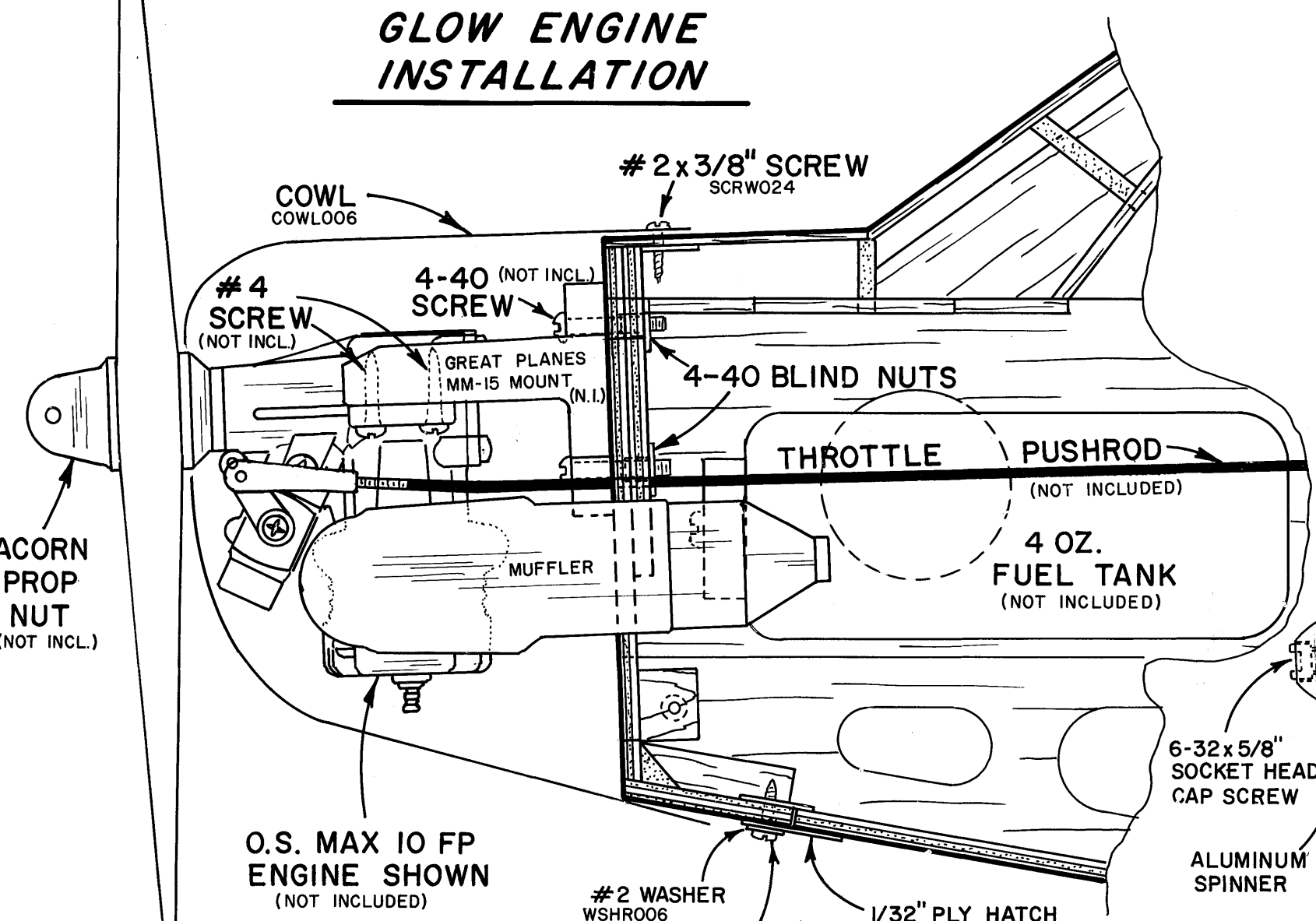


**FUSE TOP VIEW**

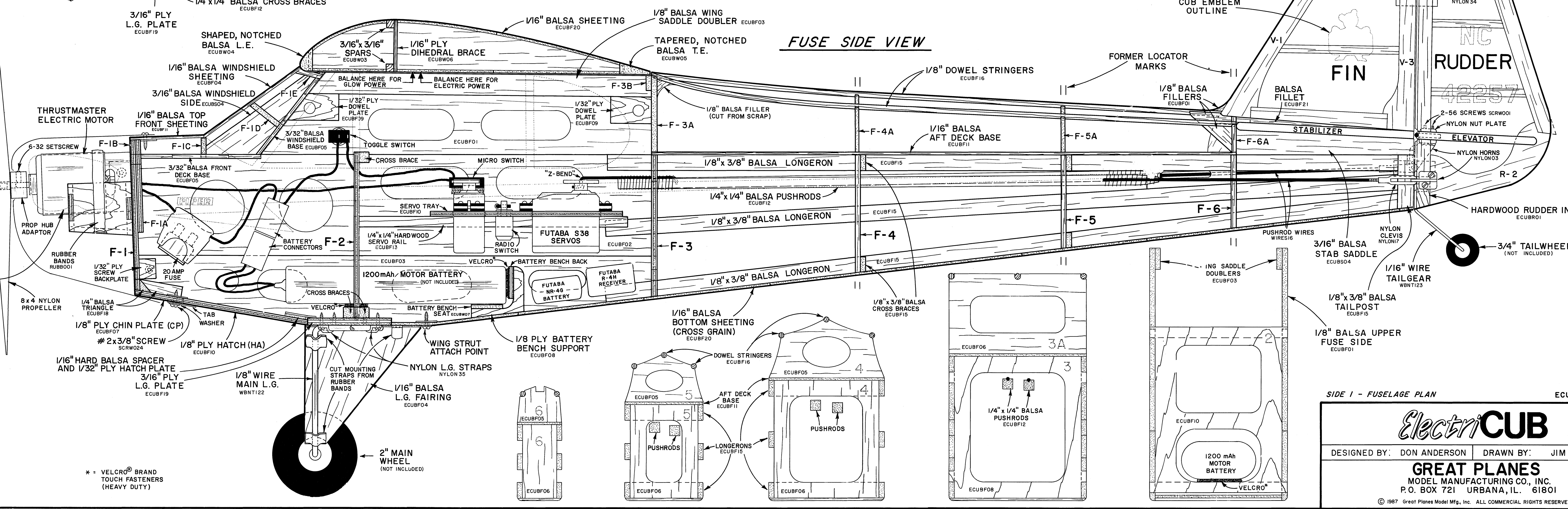


NOTE: NUMBERED PARTS ARE DIE-CUT. CUT ALL OTHER FIN AND STAB PARTS FROM Balsa STICKS PROVIDED.

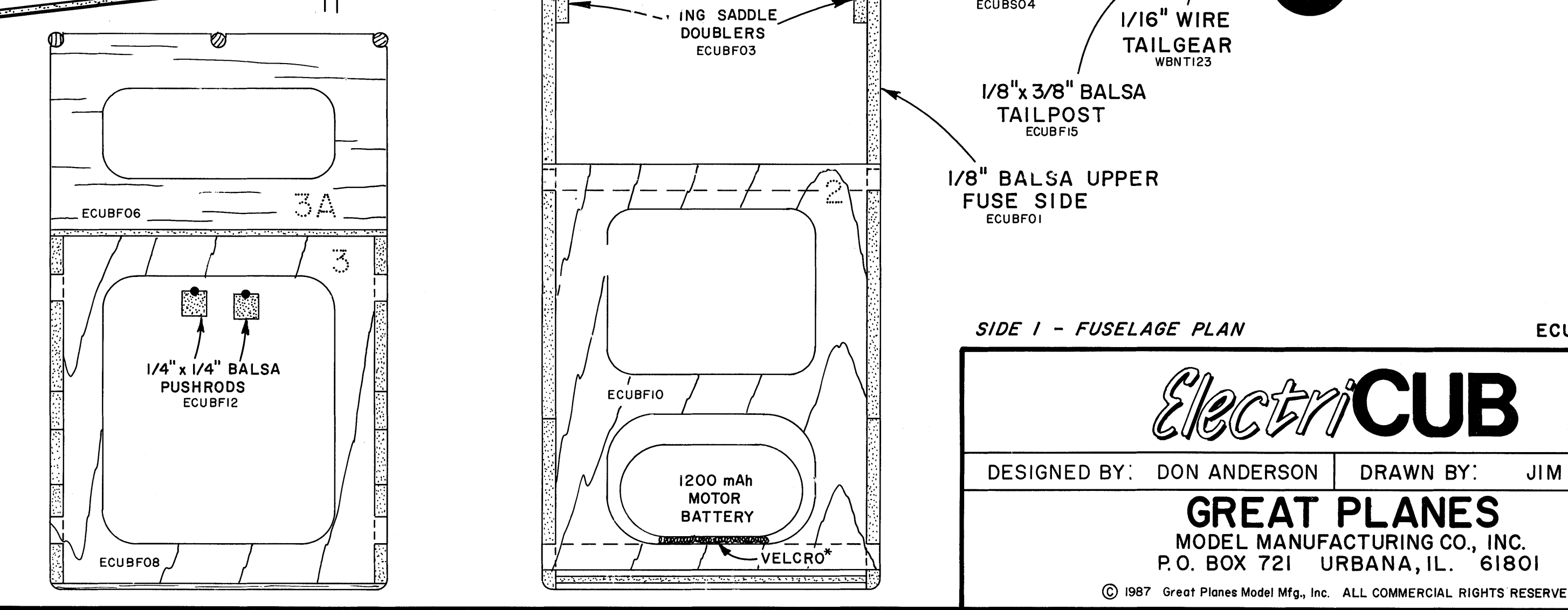
**GLow ENGINE INSTALLATION**



**FUSE SIDE VIEW**



**SIDE 1 - FUSELAGE PLAN**

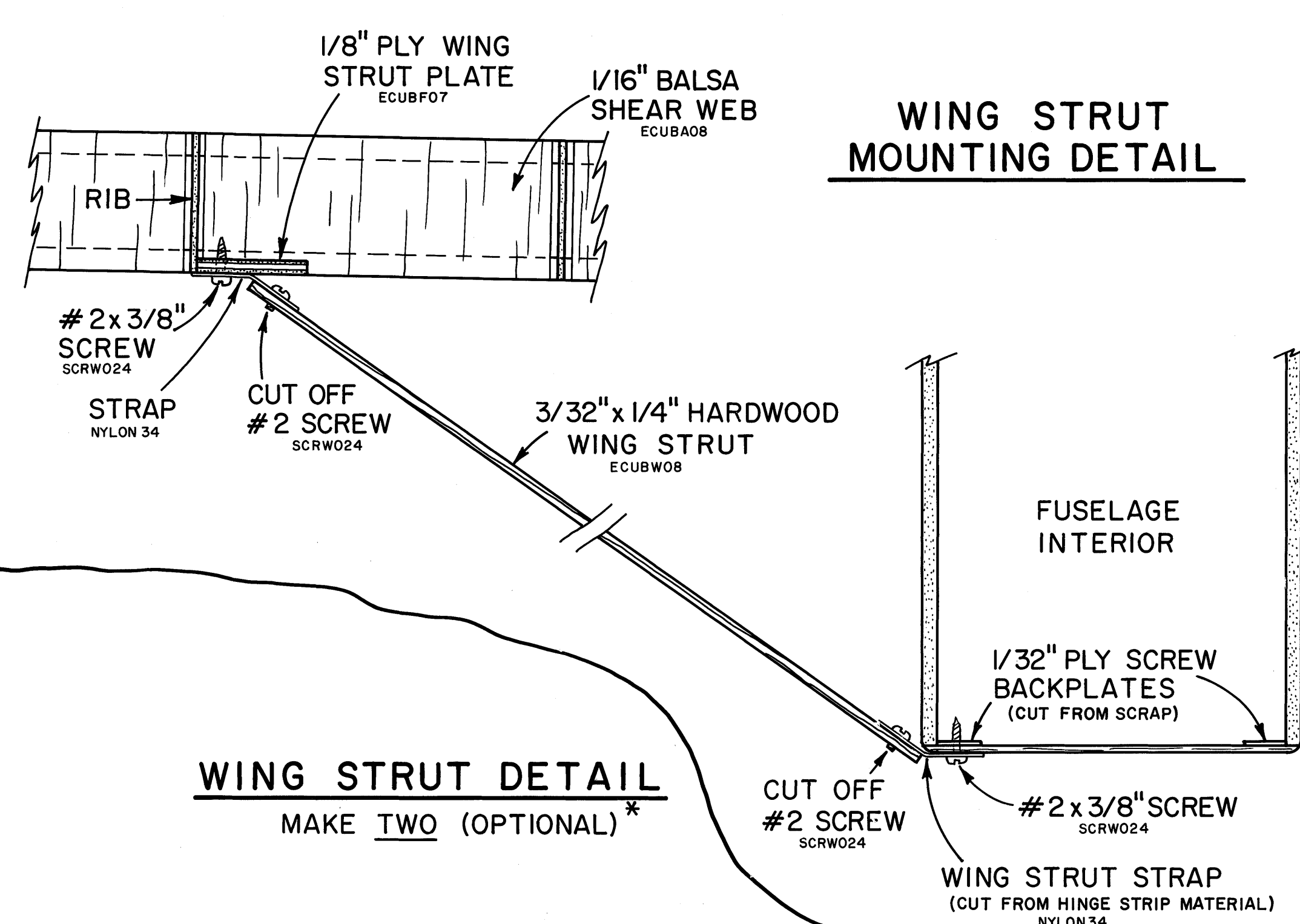


**ElectricUB**

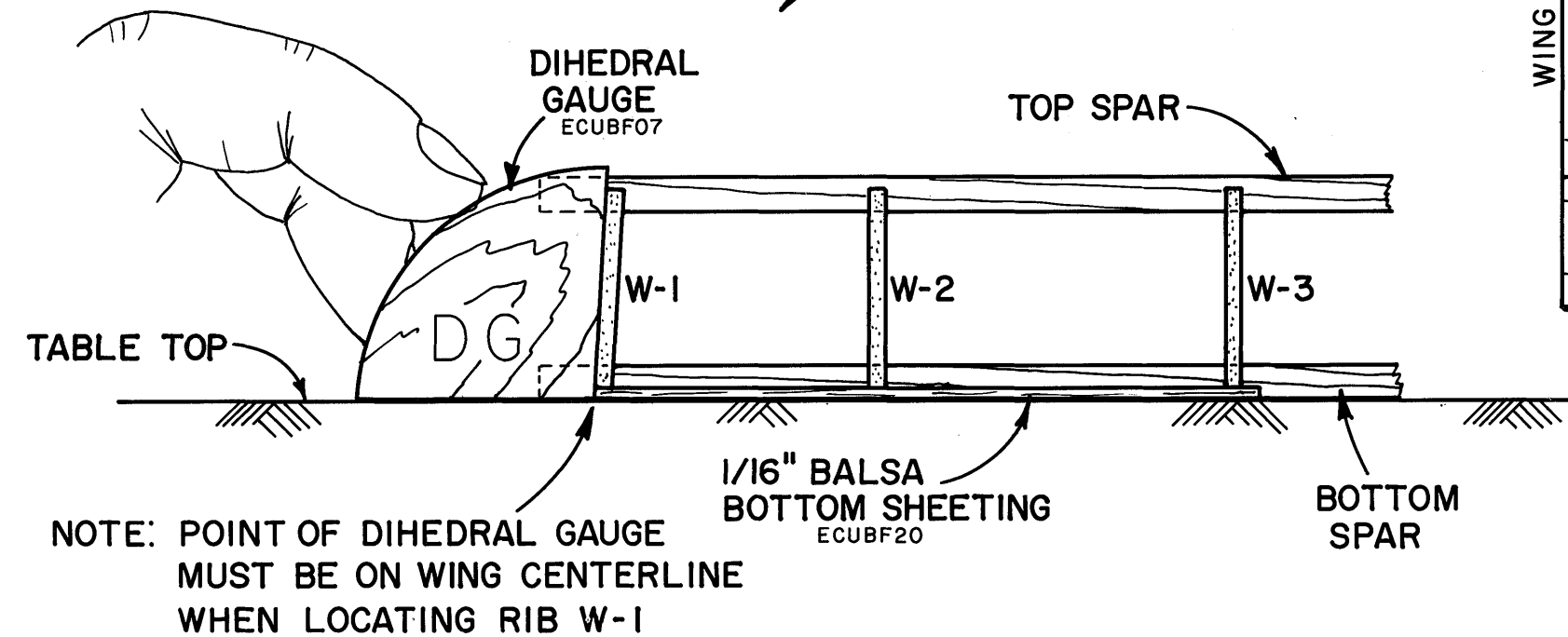
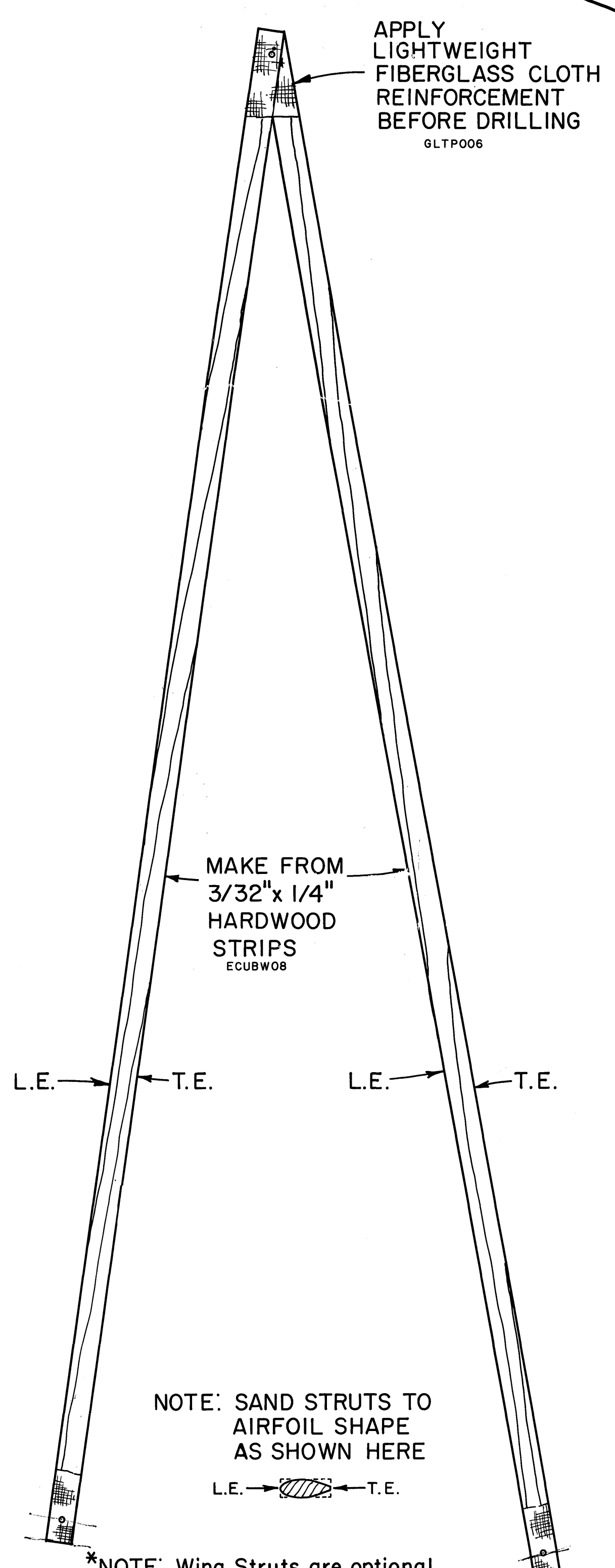
DESIGNED BY: DON ANDERSON | DRAWN BY: JIM SCHMIDT

**GREAT PLANES**  
MODEL MANUFACTURING CO., INC.  
P.O. BOX 721 URBANA, IL. 61801

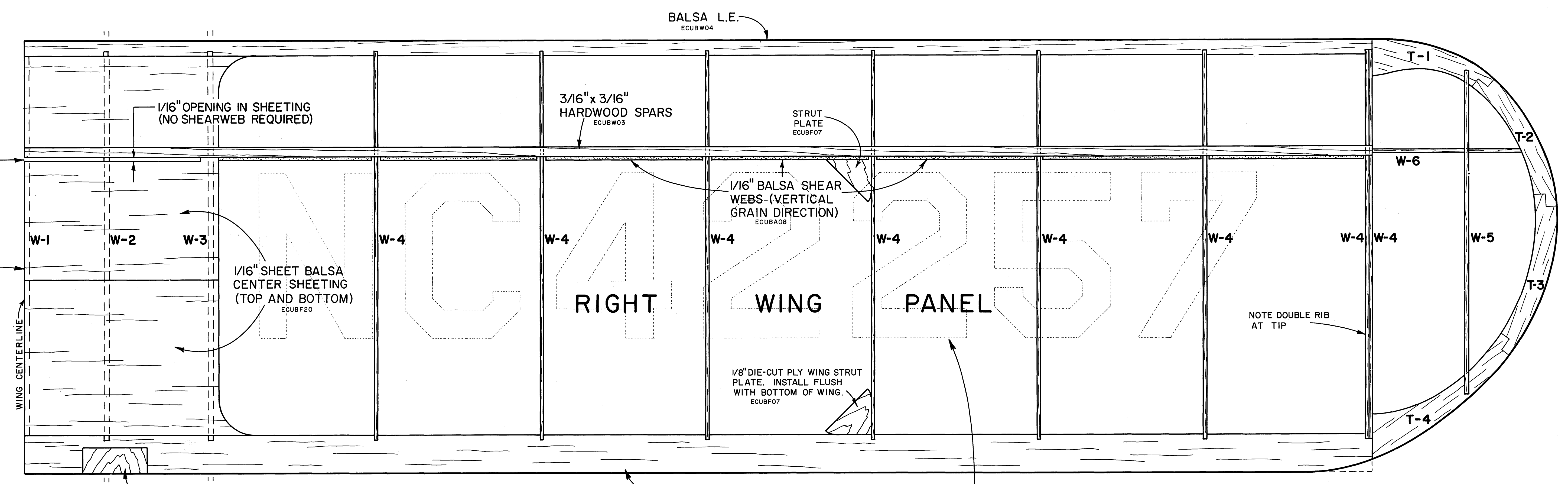
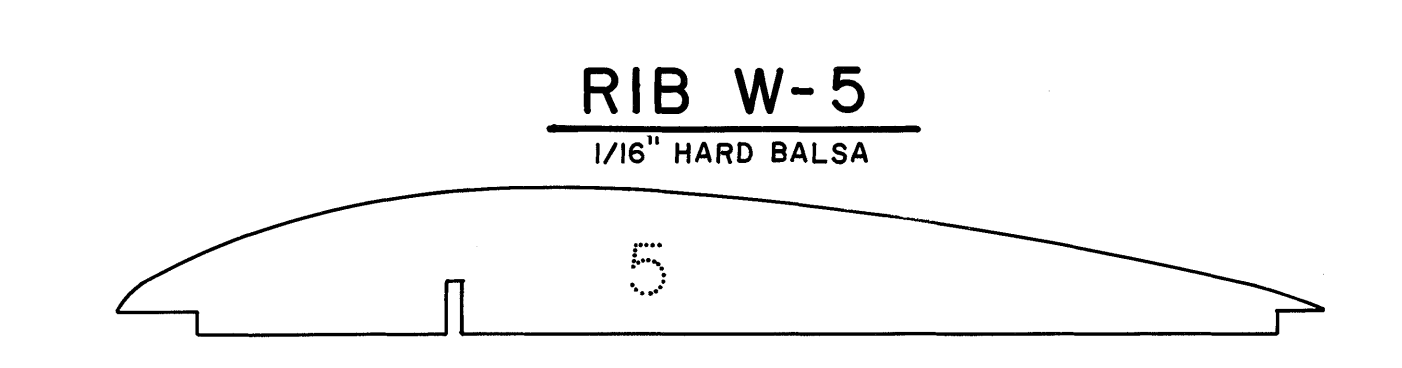
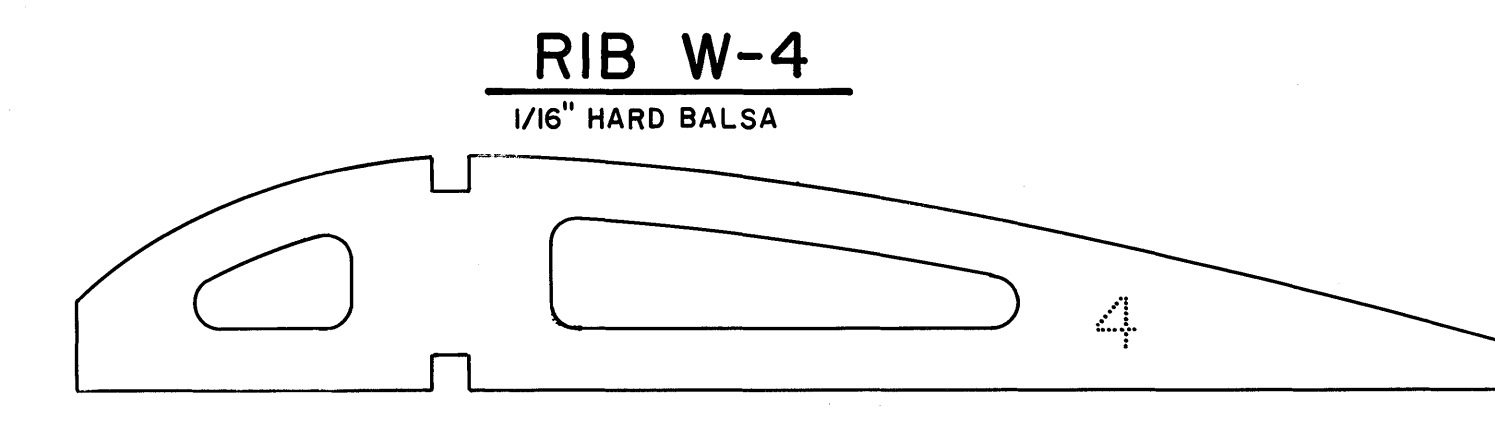
© 1987 Great Planes Model Mfg., Inc. ALL COMMERCIAL RIGHTS RESERVED



**WING STRUT DETAIL**  
MAKE TWO (OPTIONAL)\*

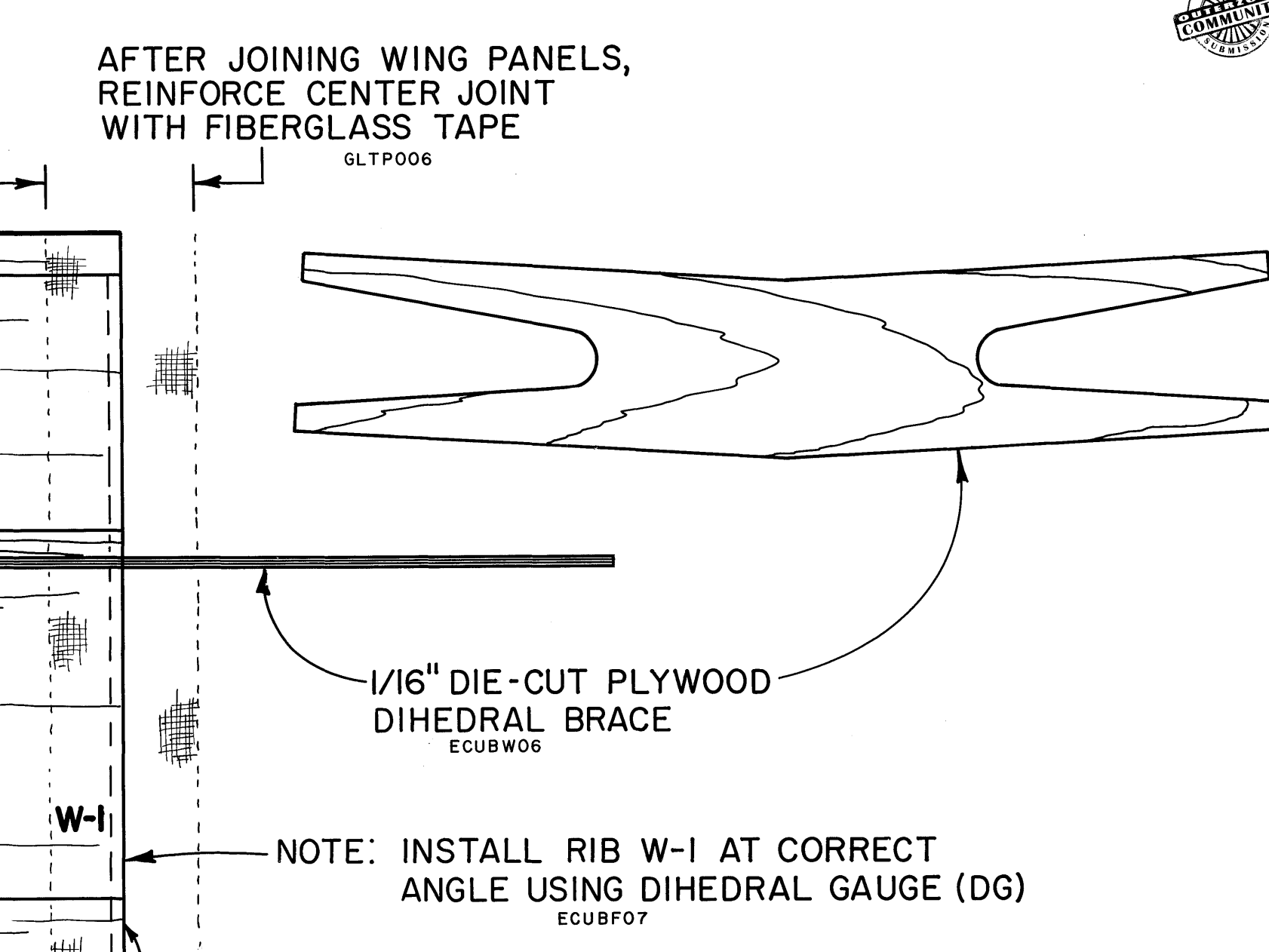
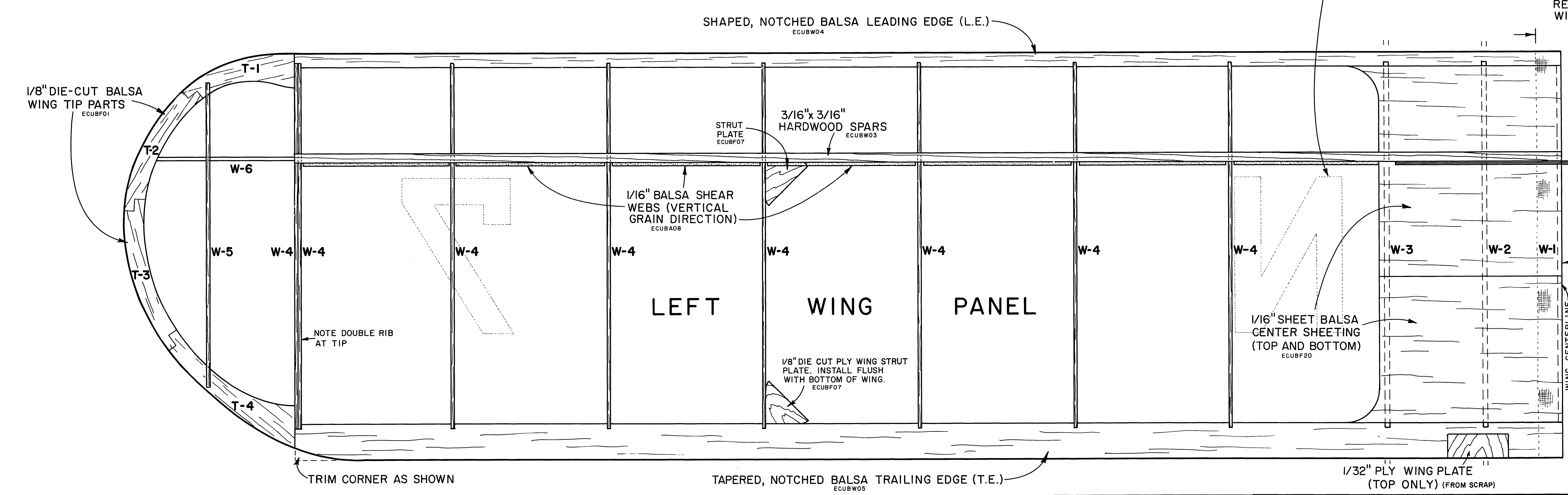


NOTE: INSTALL W-1 AT CORRECT ANGLE USING DIHEDRAL GAUGE AS SHOWN



NOTE: Build wing panels on a flat surface. Protect plans by covering with waxed paper before gluing.

NOTE: USE ABOVE PATTERN TO MAKE "NC42257" FROM COVERING FILM OR TRIM SHEET. APPLY TO TOP OF RT. WING AND BOTTOM OF LT. WING.



SIDE 2 - WING PLAN

**ElectriCUB**

DESIGNED BY: DON ANDERSON    DRAWN BY: JIM SCHMIDT

**GREAT PLANES**  
MODEL MANUFACTURING CO., INC.  
P.O. BOX 721 URBANA, IL 61801

© 1987 Great Planes Model Mfg., Inc. ALL COMMERCIAL RIGHTS RESERVED