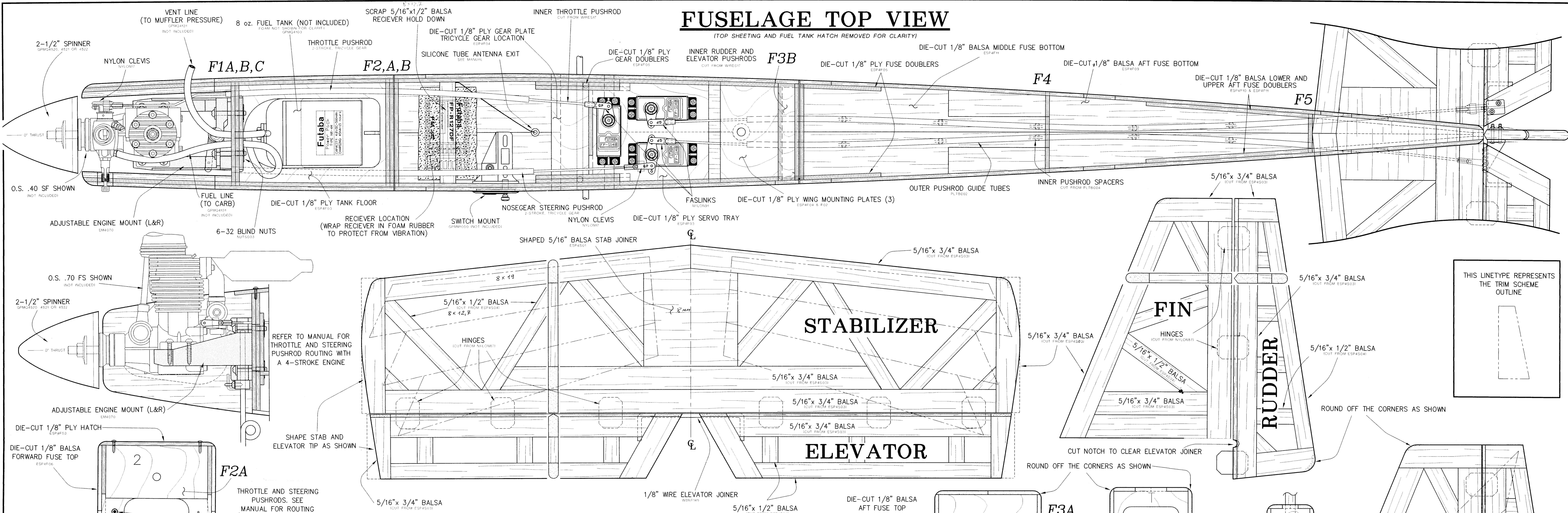


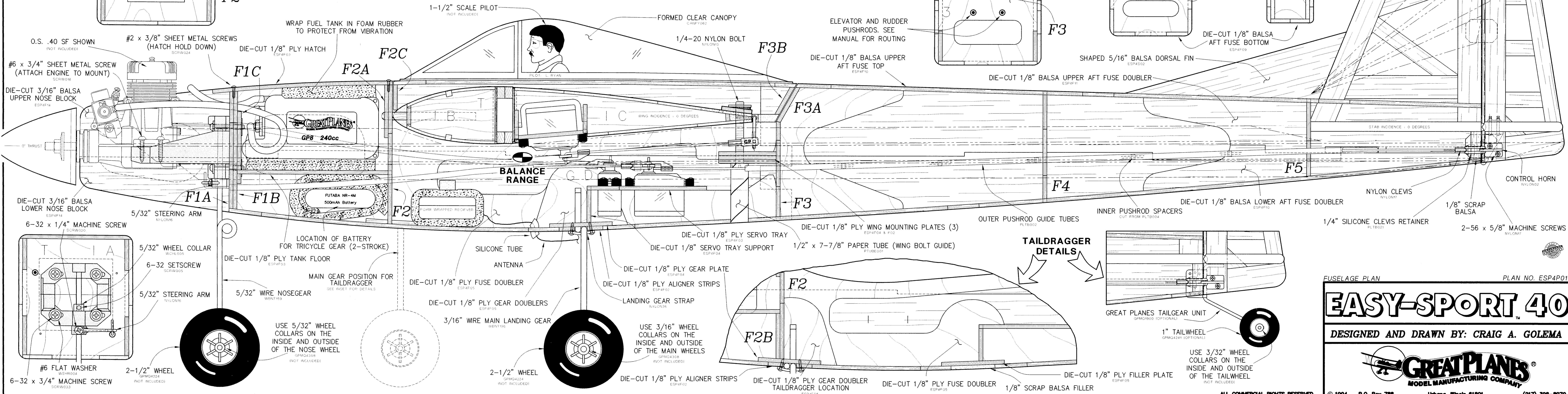
FUSELAGE TOP VIEW

(TOP SHEETING AND FUEL TANK HATCH REMOVED FOR CLARITY)

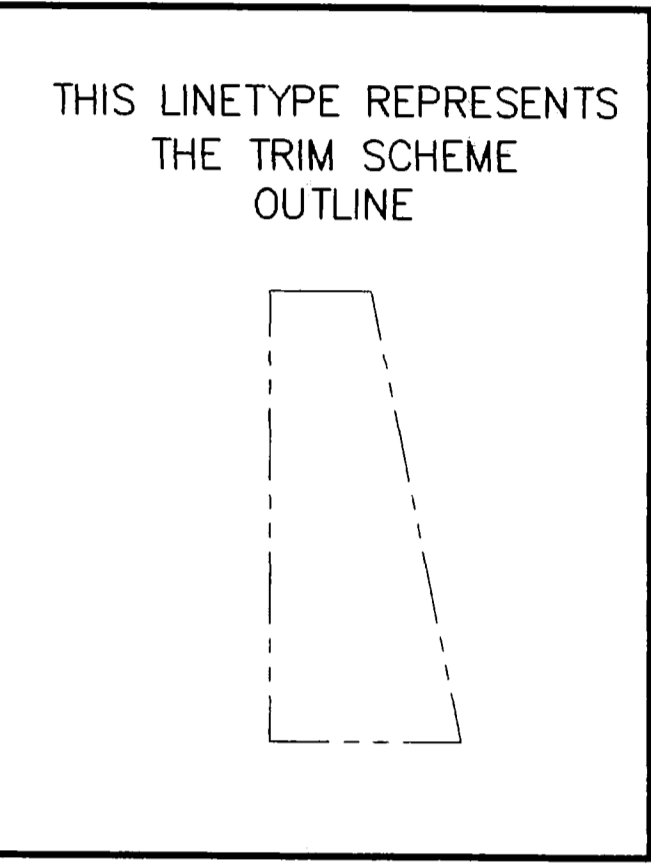
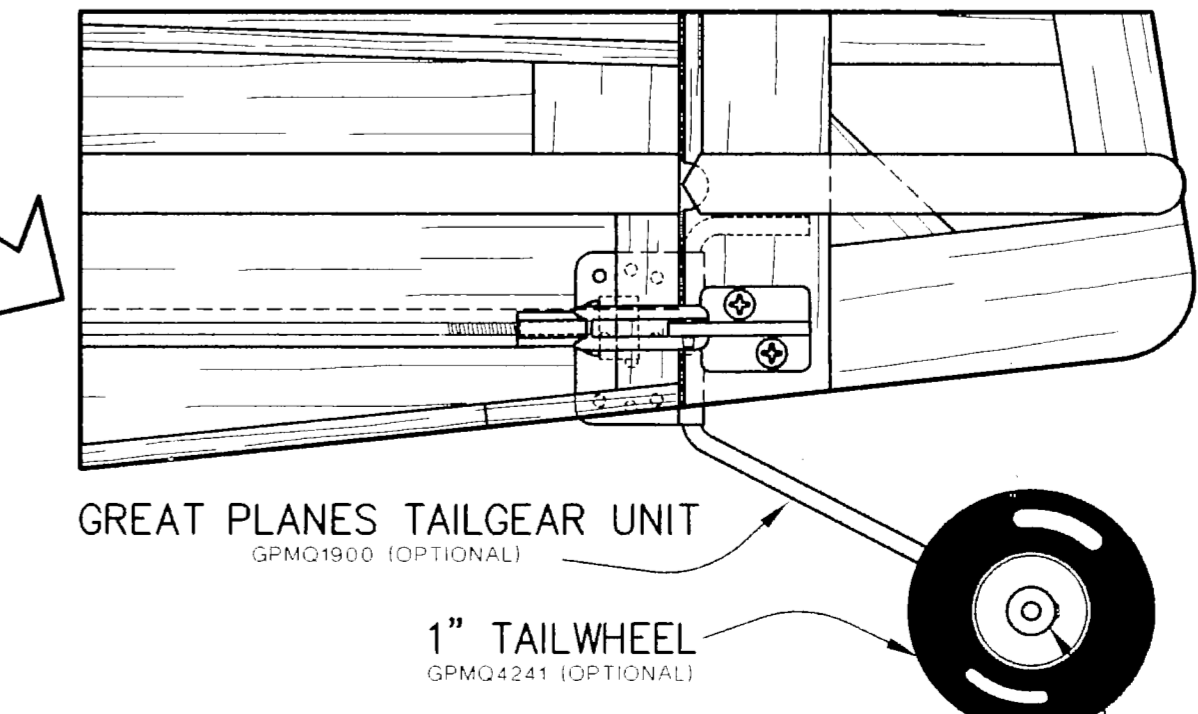


FUSELAGE SIDE VIEW

(LEFT FUSE SIDE AND DOUBLERS REMOVED FOR CLARITY)



TAILDRAGGER DETAILS



FUSELAGE PLAN PLAN NO. ESP4P01

EASY-SPORT 40

DESIGNED AND DRAWN BY: CRAIG A. GOLEMA

ALL COMMERCIAL RIGHTS RESERVED © 1994 P.O. Box 758 Urbana, Illinois 61801 (217) 398-8970

