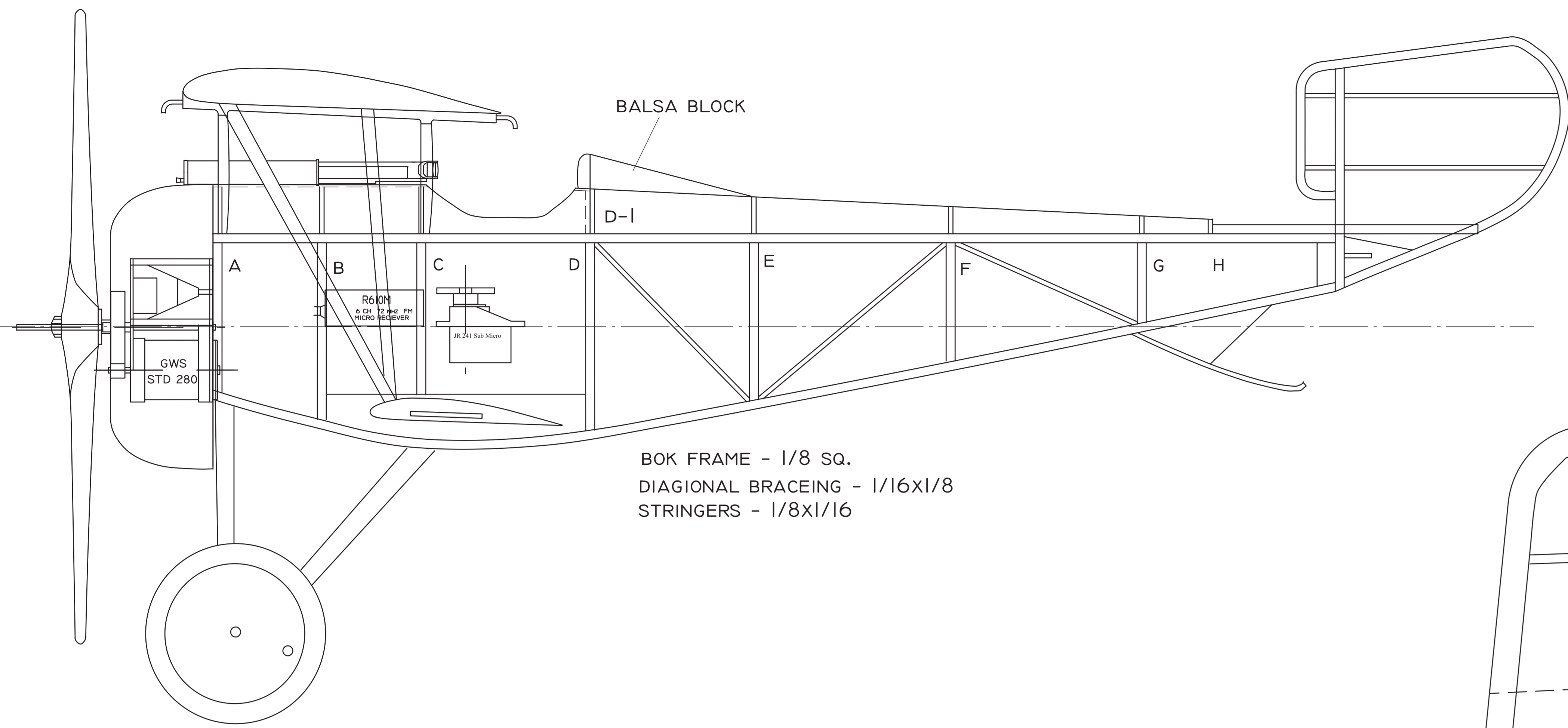


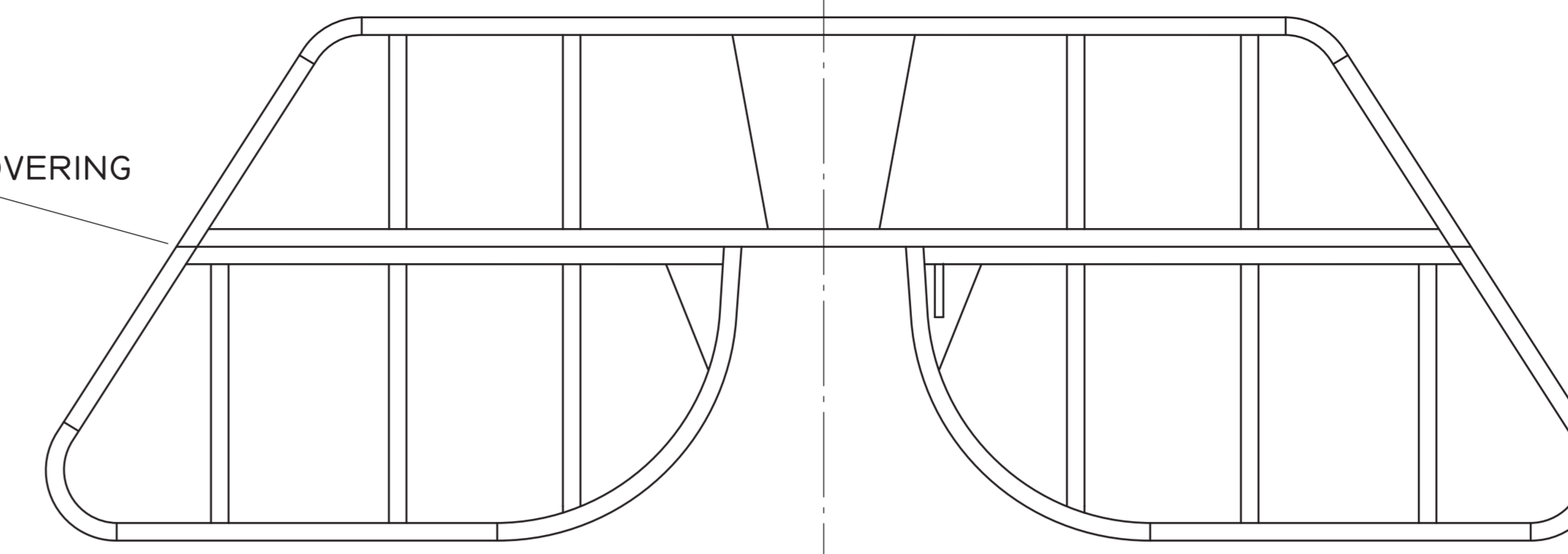
WING INCIDENCE 2 DEGREES



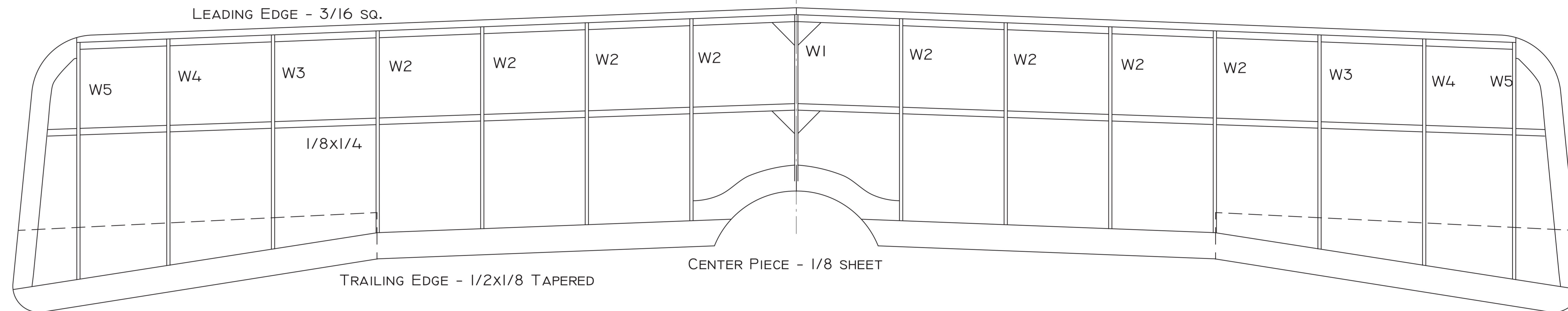
BOK FRAME - 1/8 SQ.  
DIAGONAL BRACEING - 1/16x1/8  
STRINGERS - 1/8x1/16

1/8 SQ & 1/8 SHEET

SEPERATE AFTER COVERING



LEADING EDGE - 3/16 SQ.



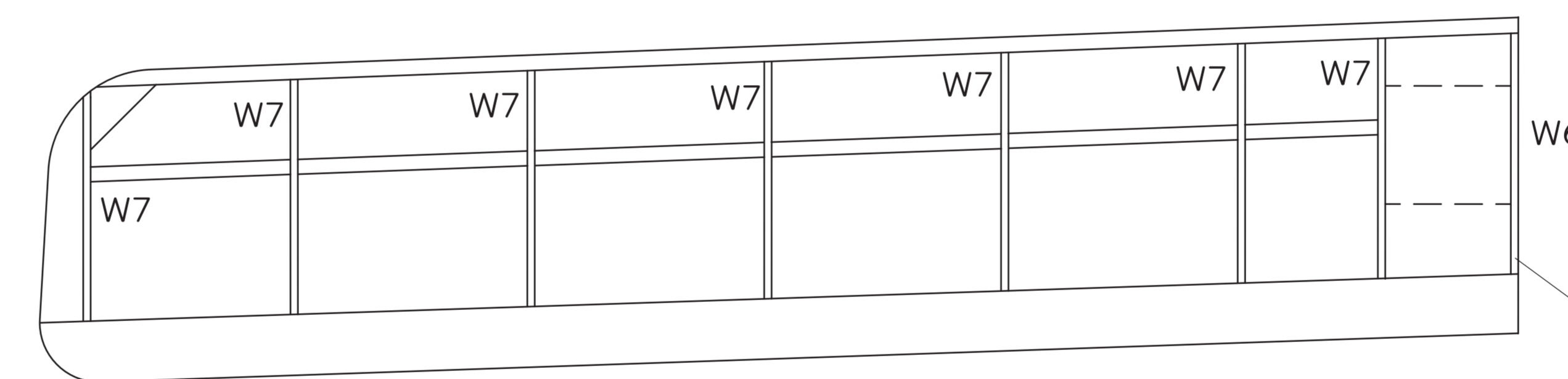
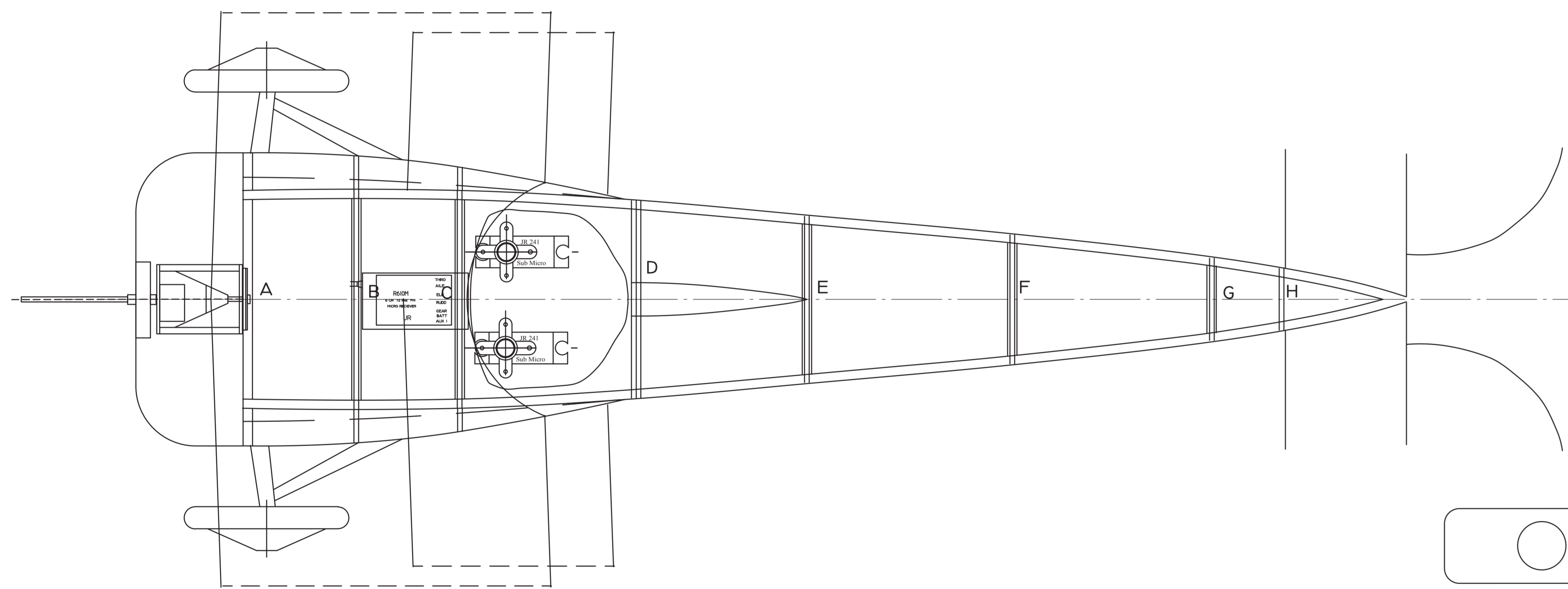
TRAILING EDGE - 1/2x1/8 TAPERED

CENTER PIECE - 1/8 SHEET

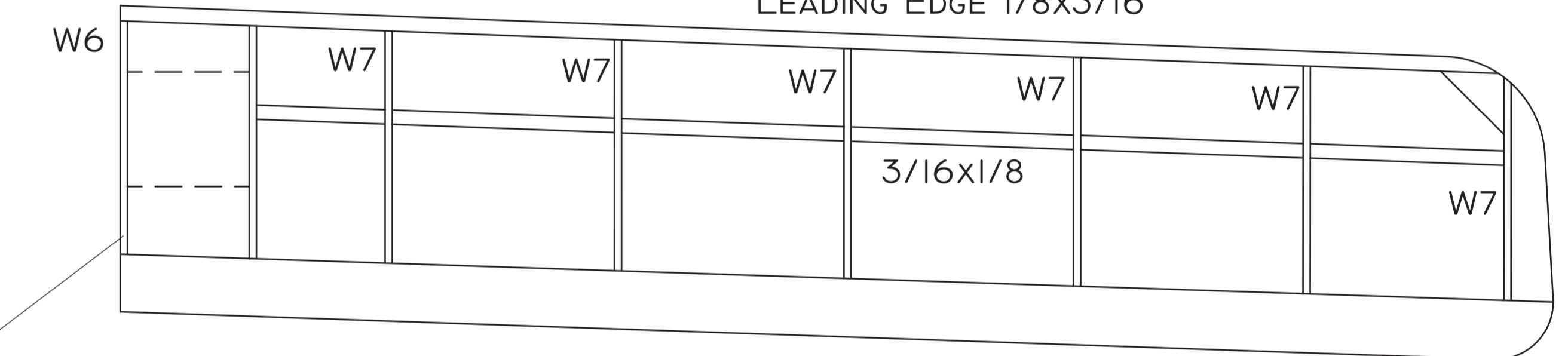
WING TIP - 1/8 SHEET

DIHEDRAL - 1" PER PANNEL FOR UPPER WING

- 1 1/2" PER PANNEL FOR LOWER WING

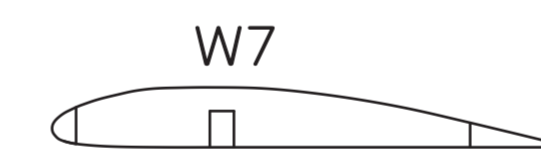


LEADING EDGE 1/8x3/16



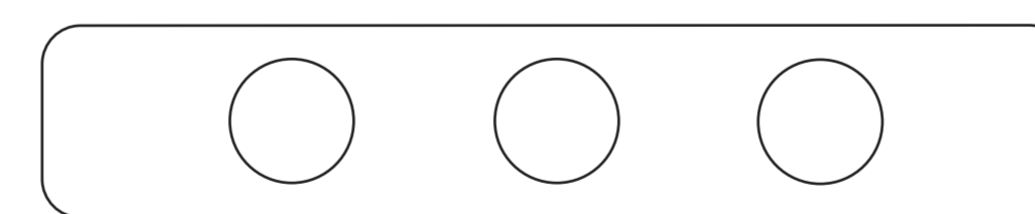
TRAILING EDGE - 1/2x1/8 TAPERED

ROOT RIB INCLINED 7 DEGREES

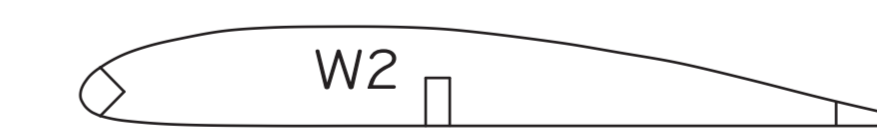
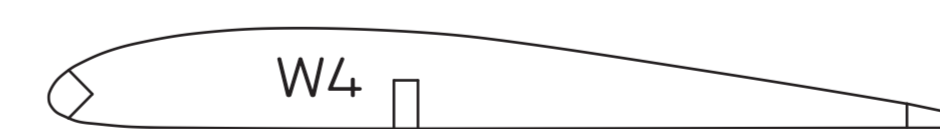
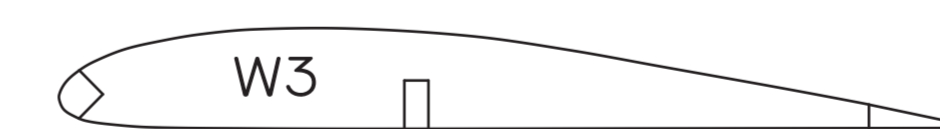


3 LAYERS 1/16 Balsa  
FOR TOUNGE POCKET

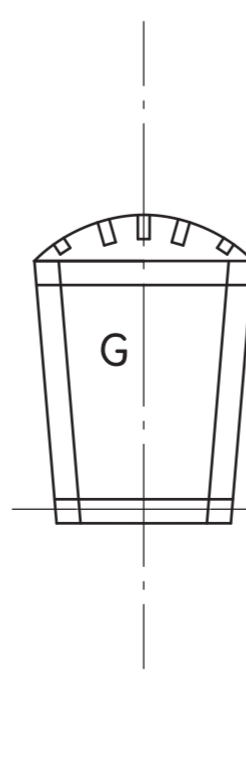
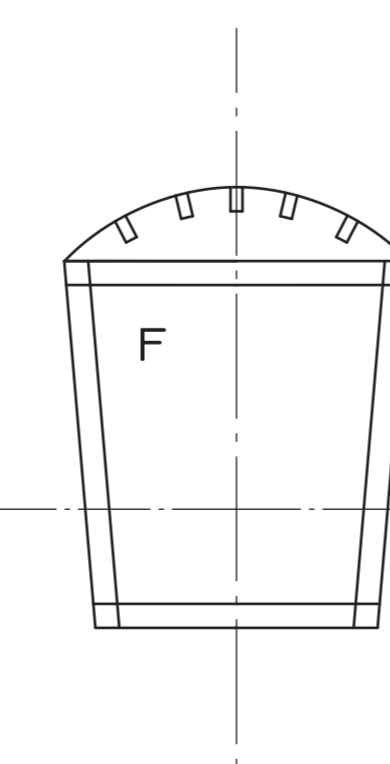
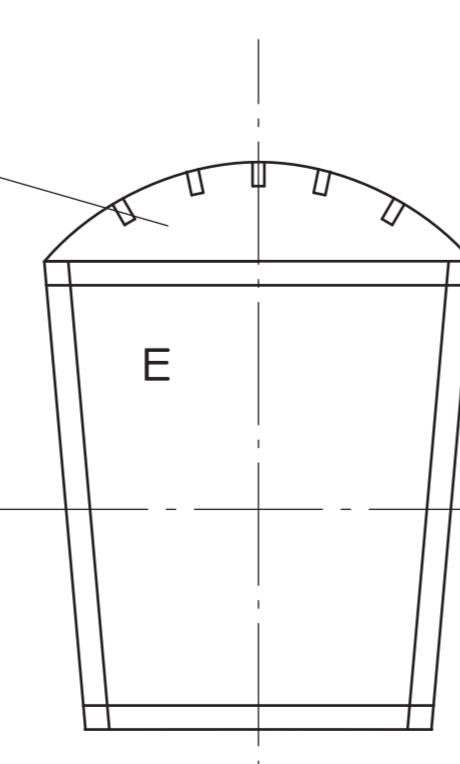
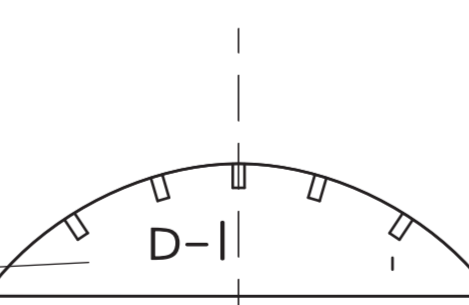
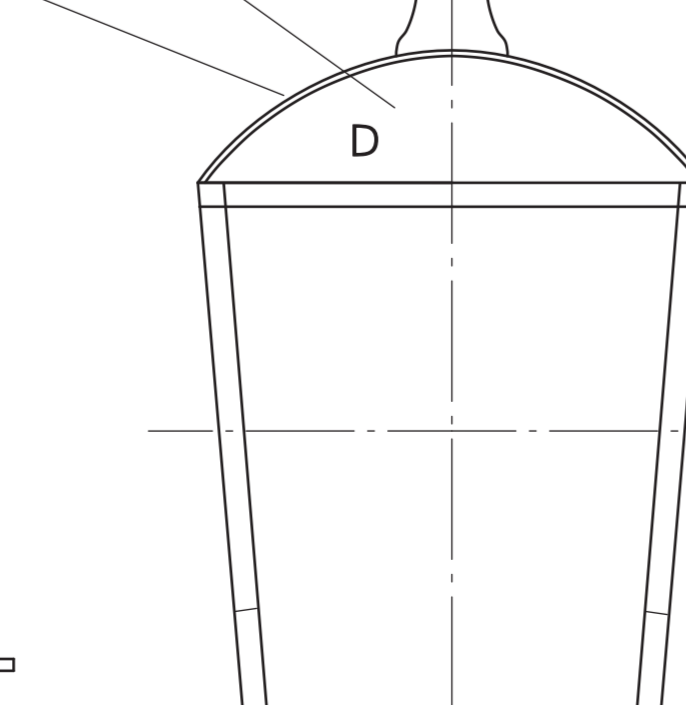
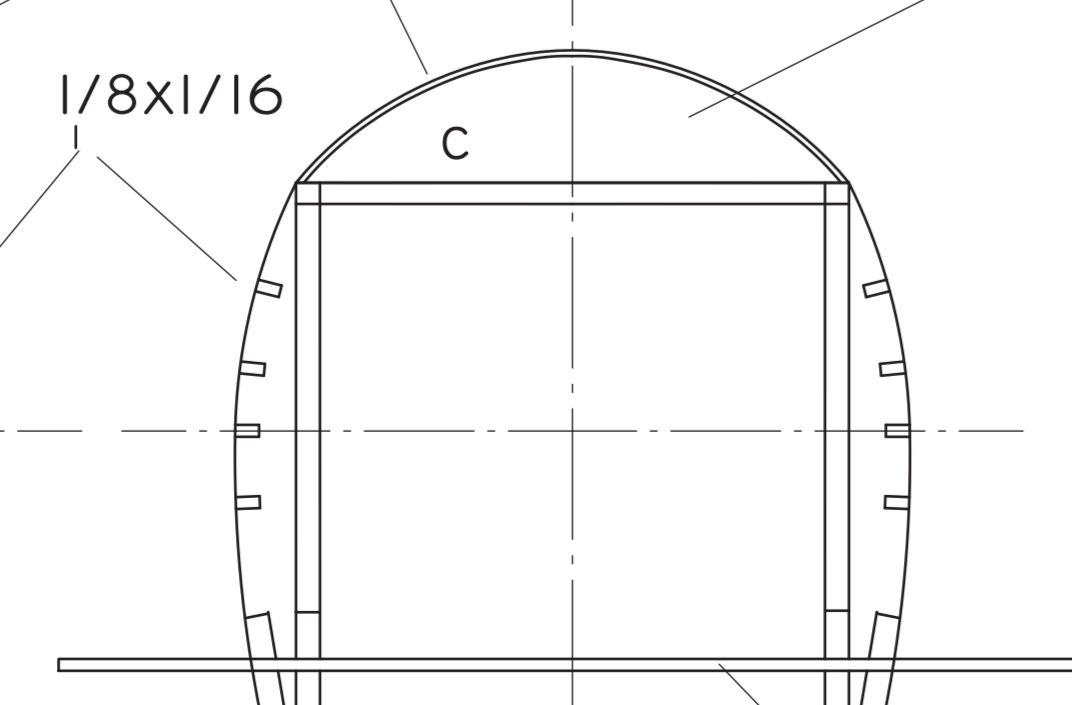
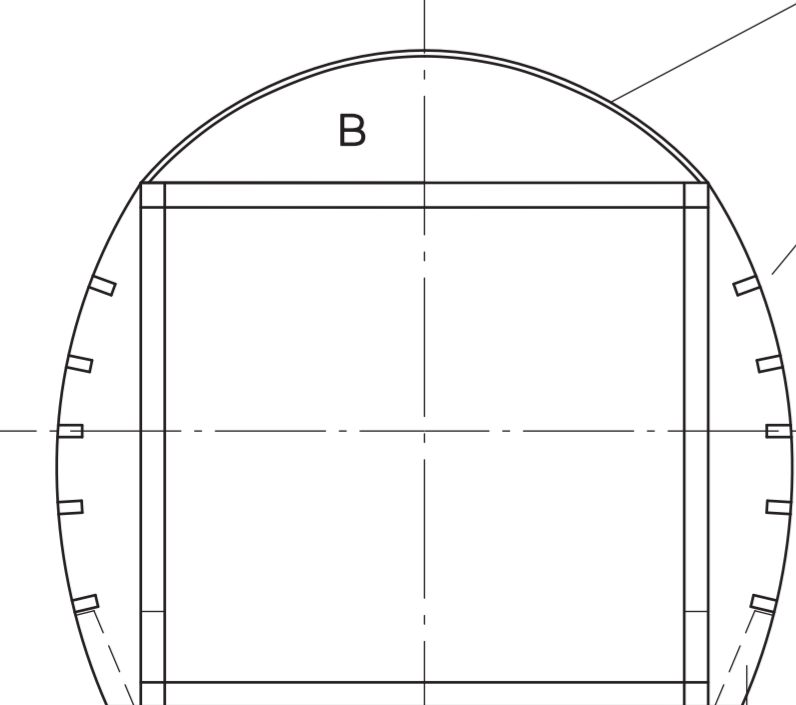
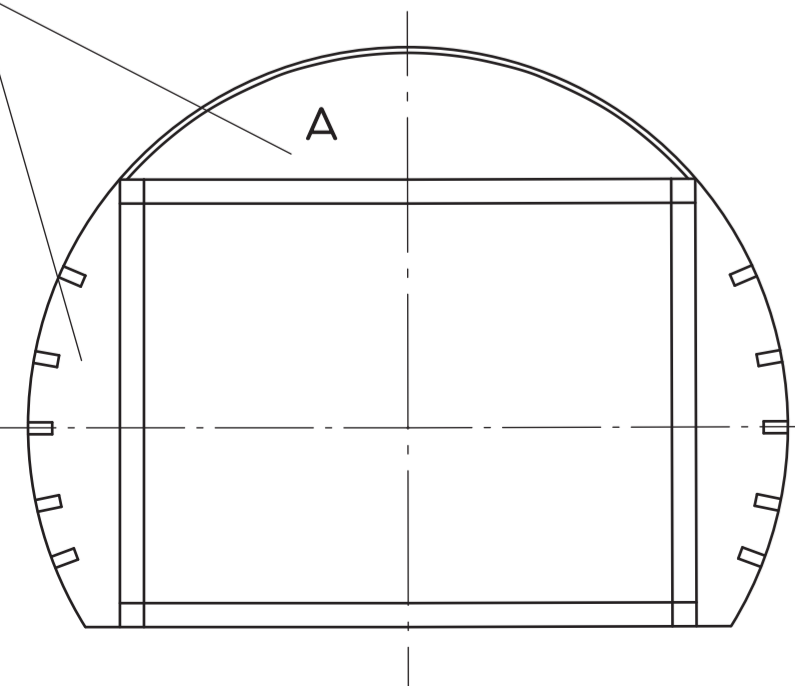
WING RIBS - 1/16 SHEET



LOWER WING MOUNTING TOUNGE  
1/16 PLYWOOD



1/8 SHEET



1/8 Balsa PLANKING

1/16 PLYWOOD TOUNGE

# NIEUPORT MODEL 17

DRAWN BY

JIM WILKERSON

FROM PERIOD SKETCHES AND DRAWINGS

WINGSPAN 30"

POWER - SPEED 280