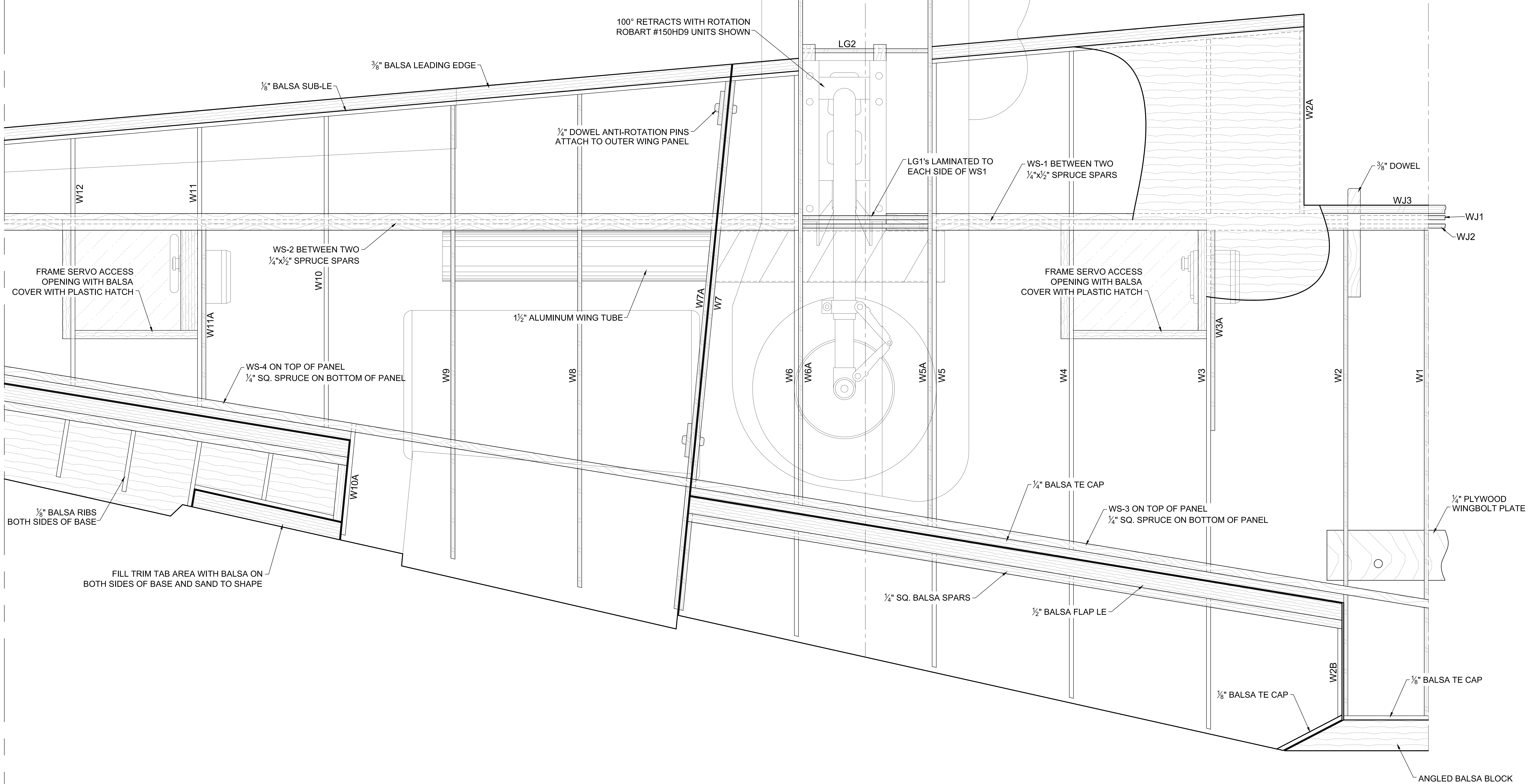


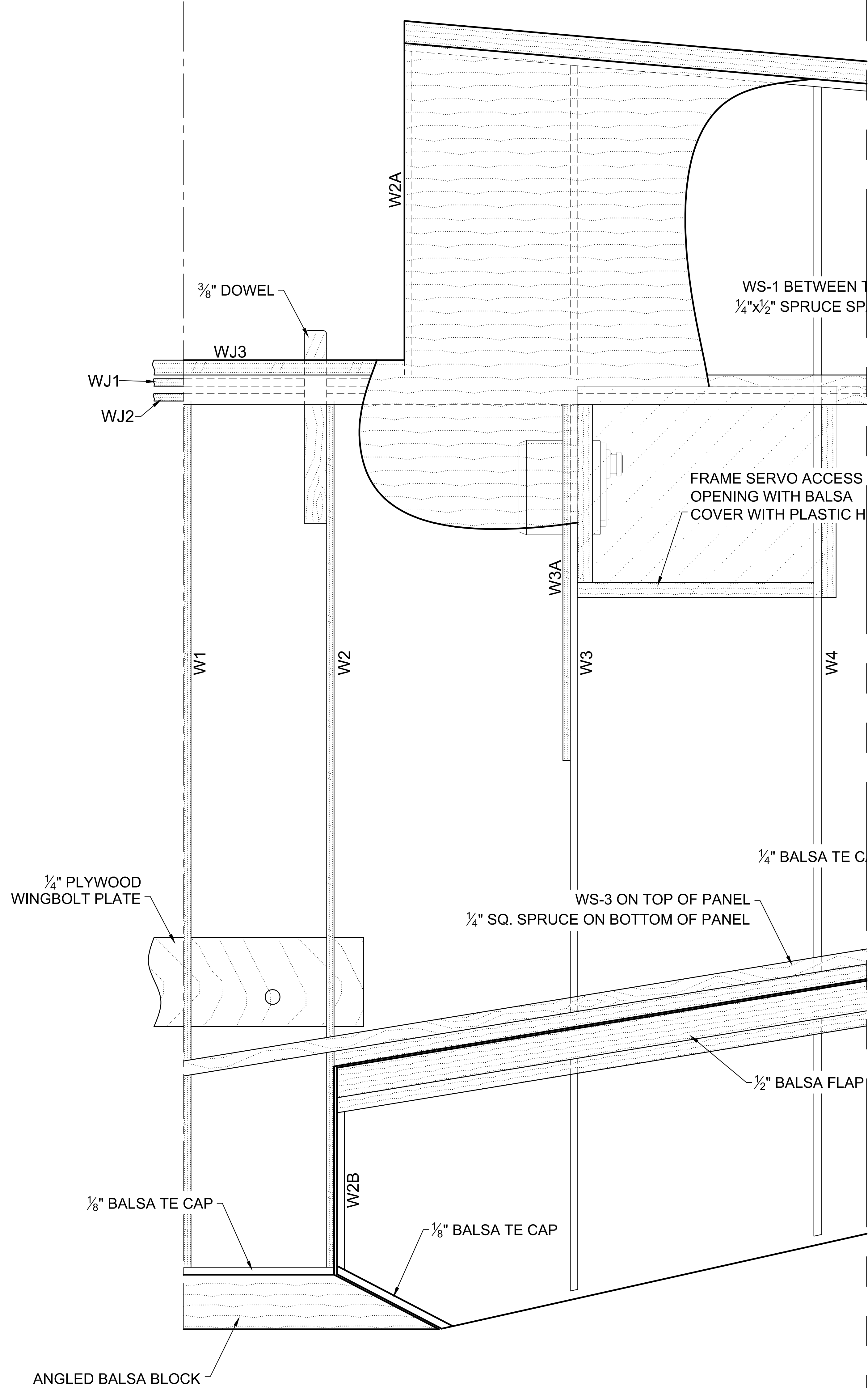
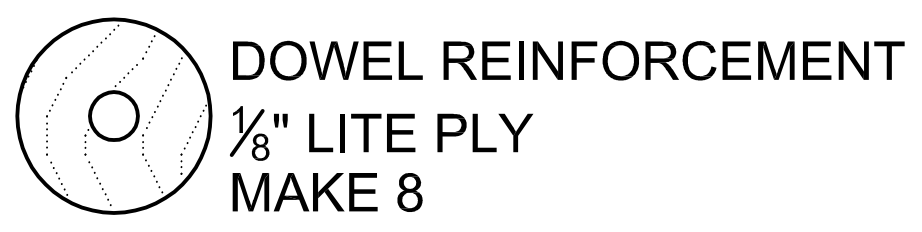
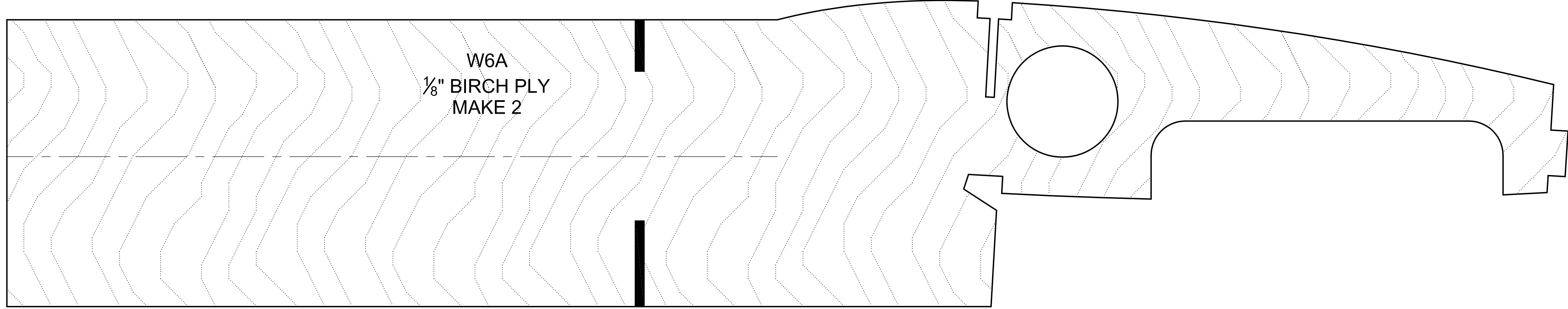
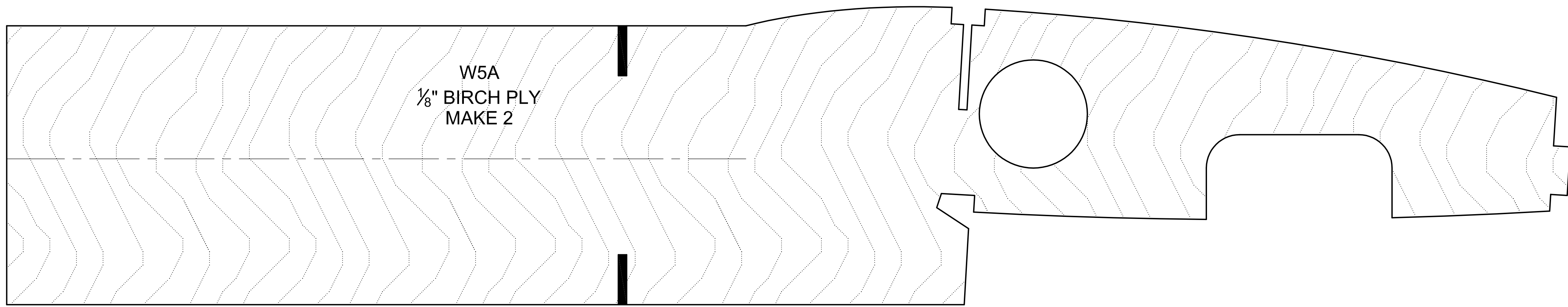
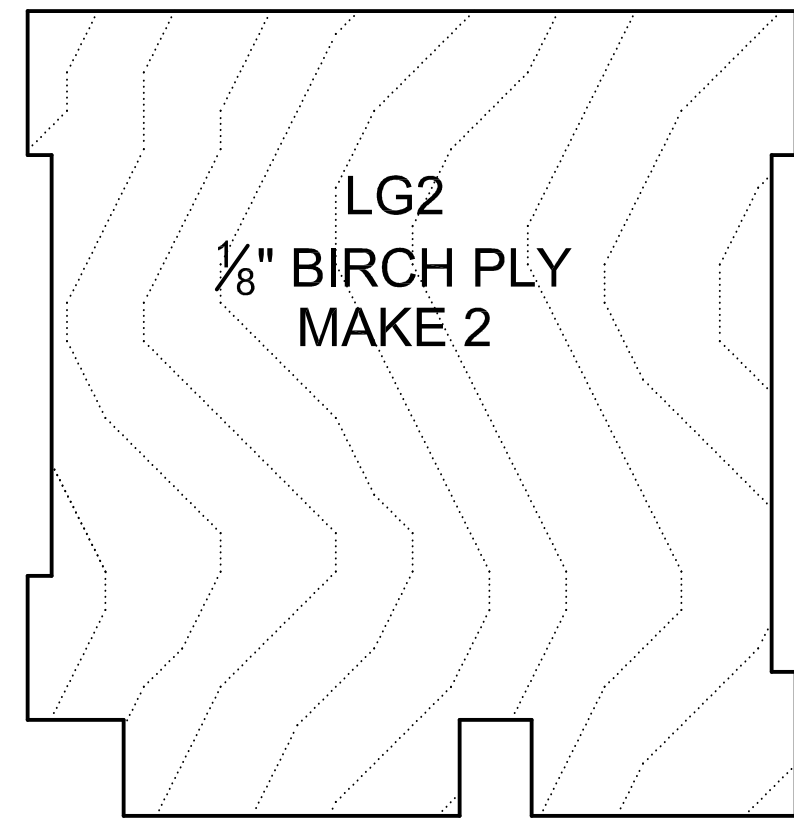
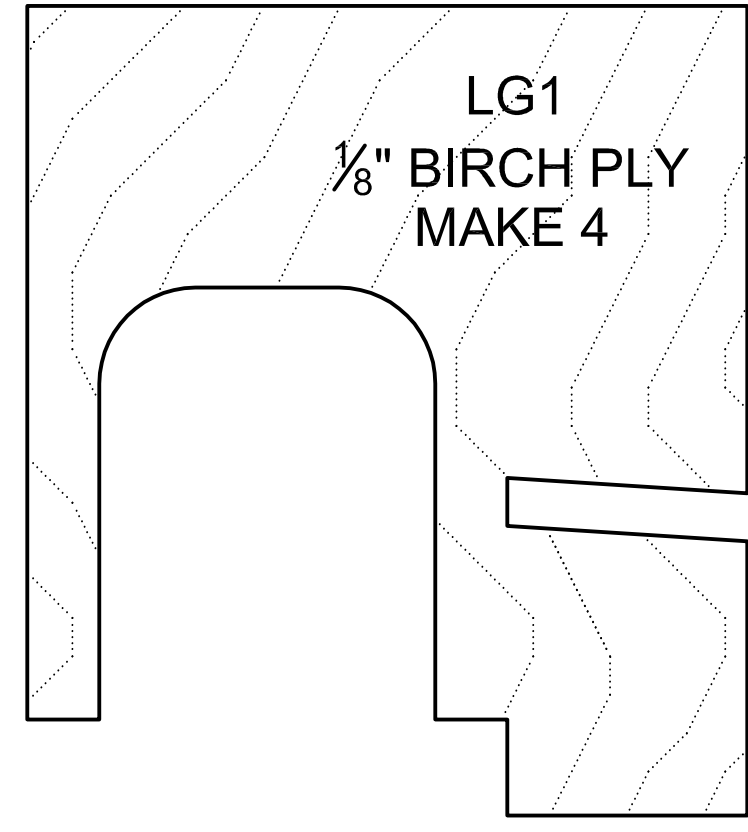
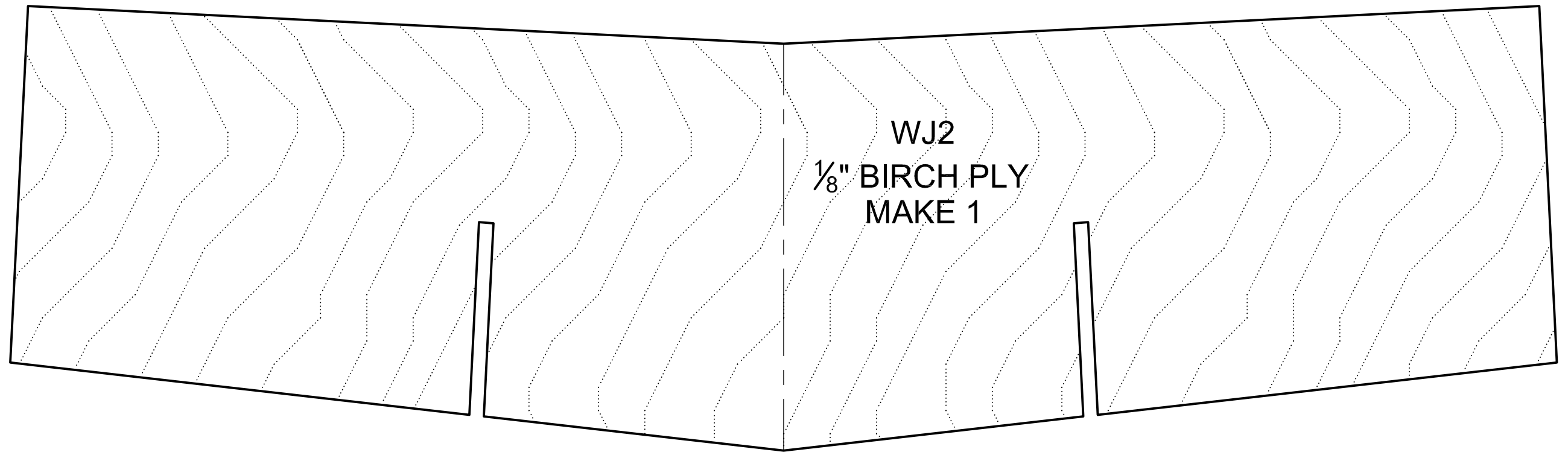
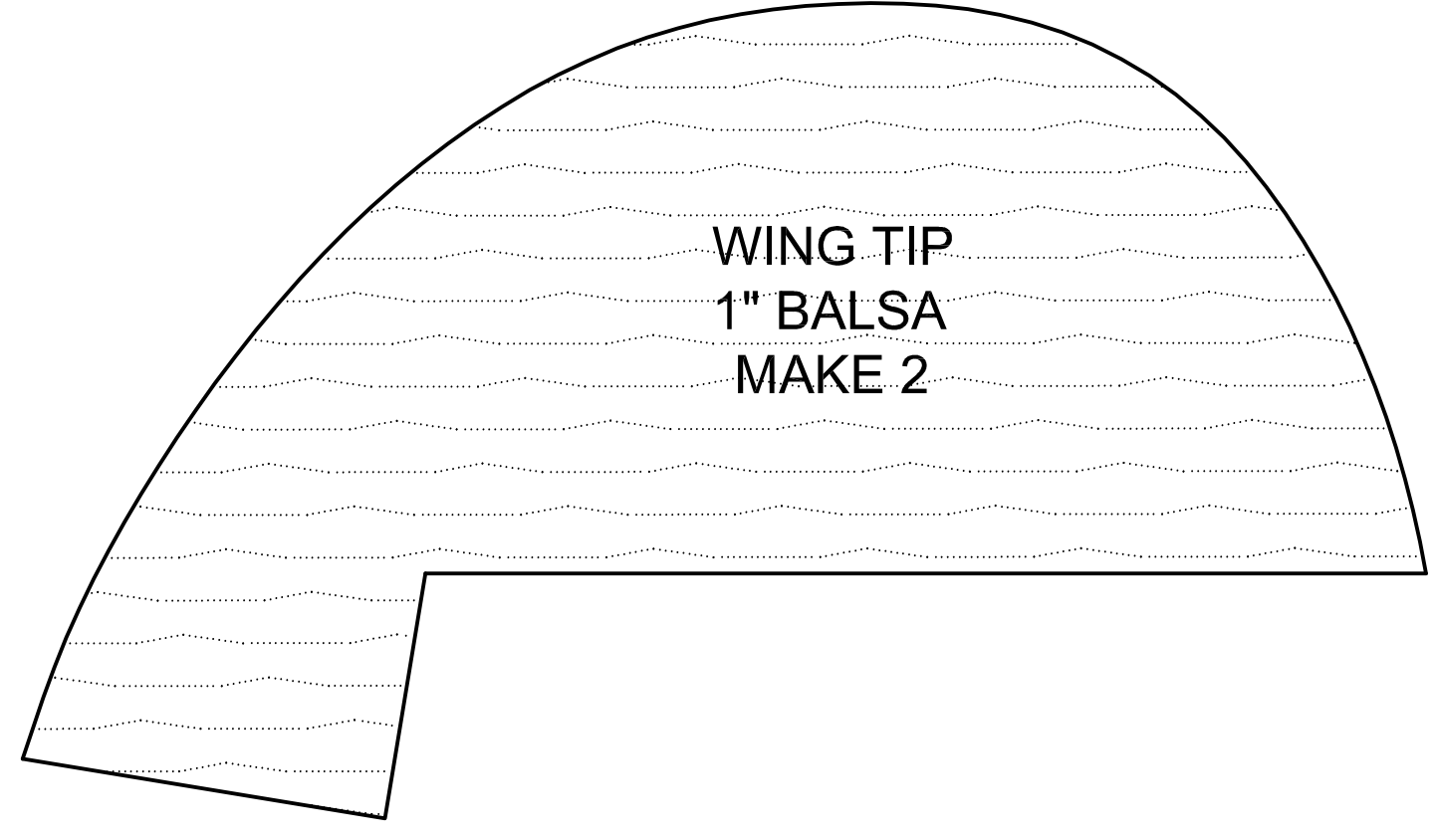
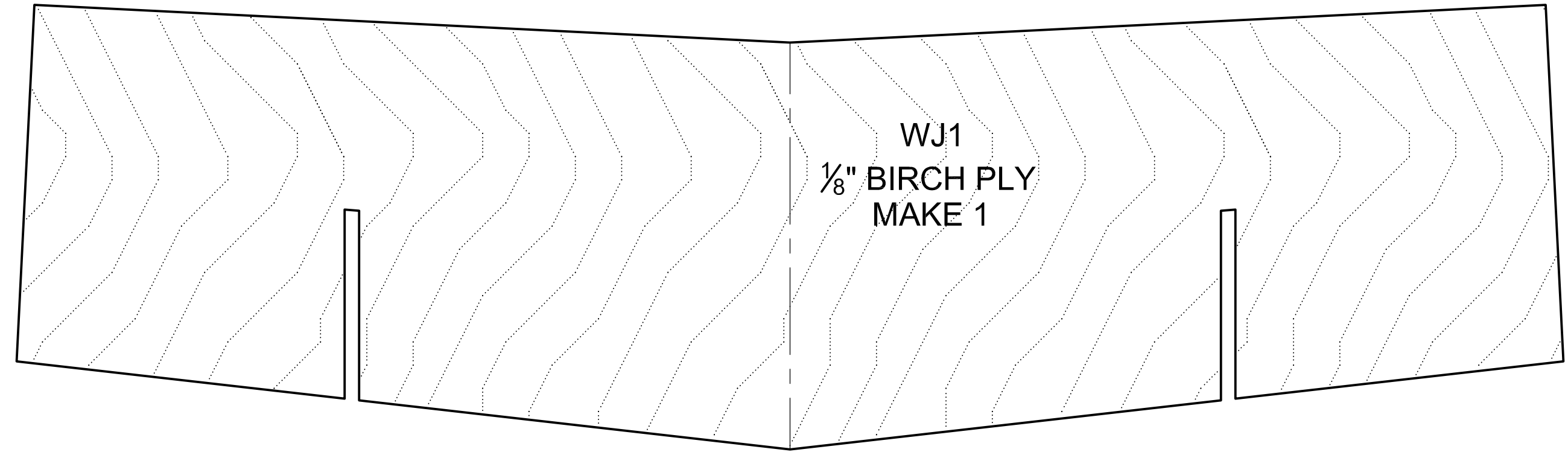
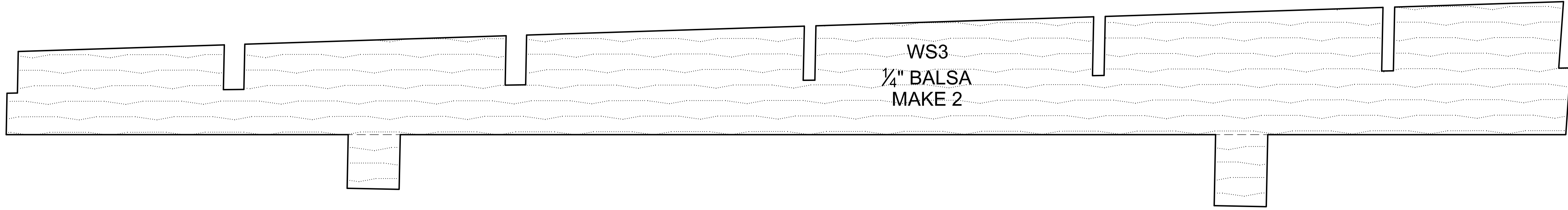
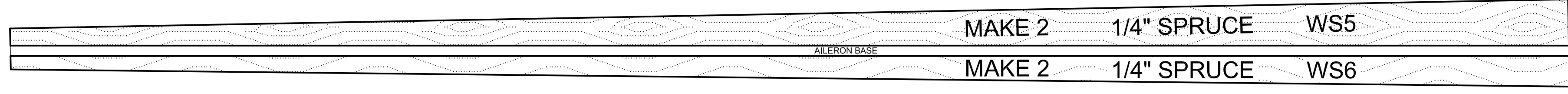
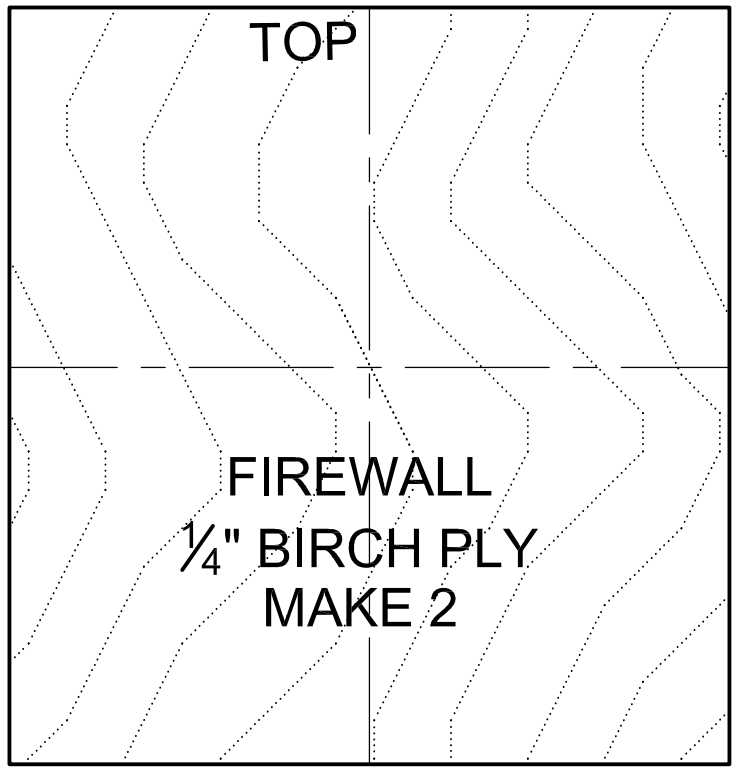
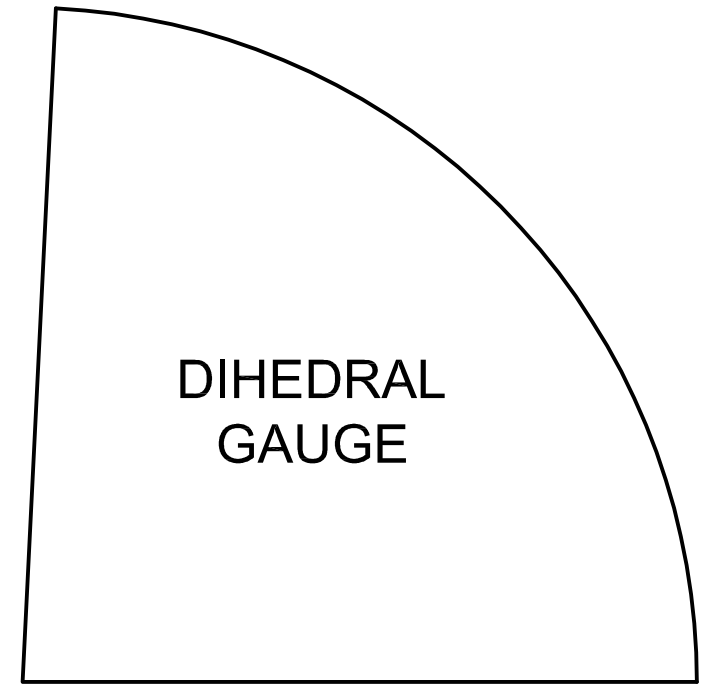
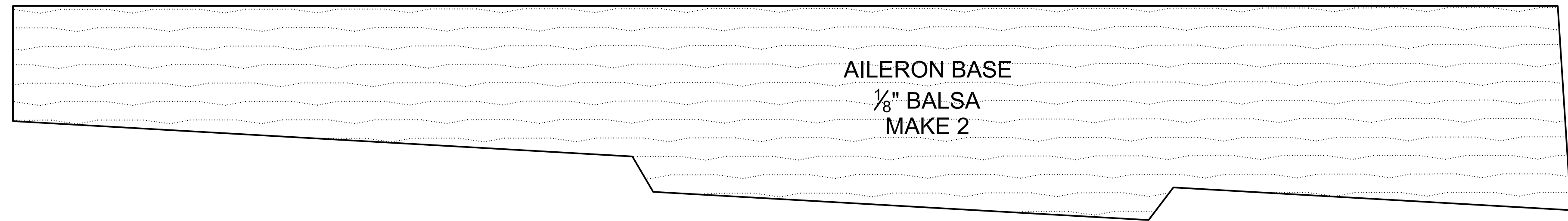
STARBOARD WING PANEL

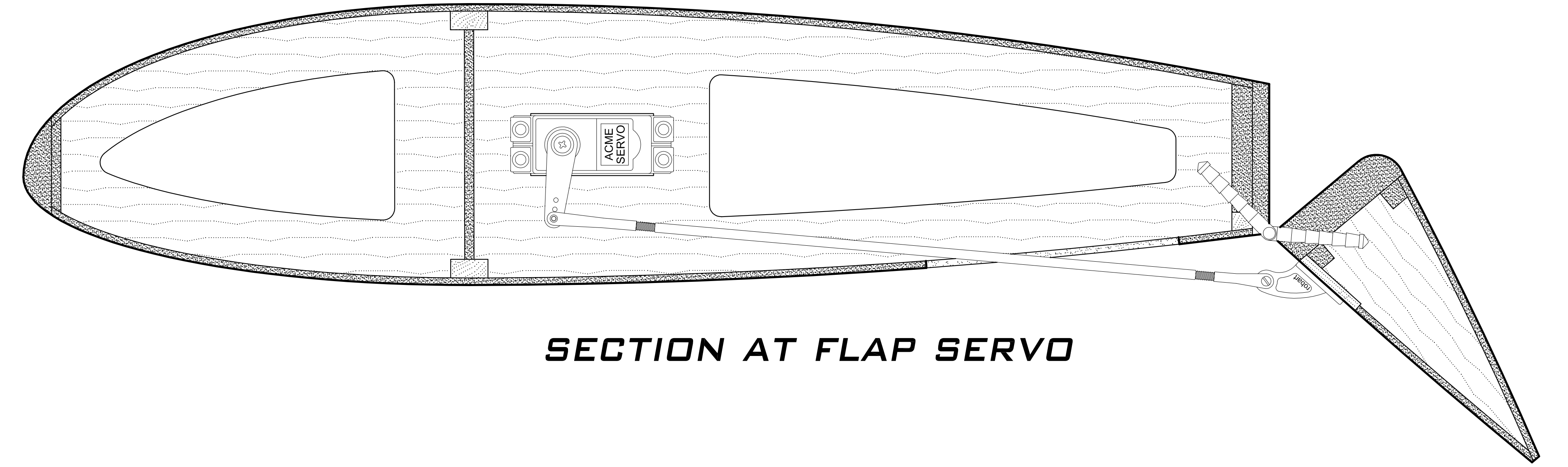
WING BUILDS UPSIDE DOWN

100° RETRACTS WITH ROTATION
ROBART #150HD9 UNITS SHOWN



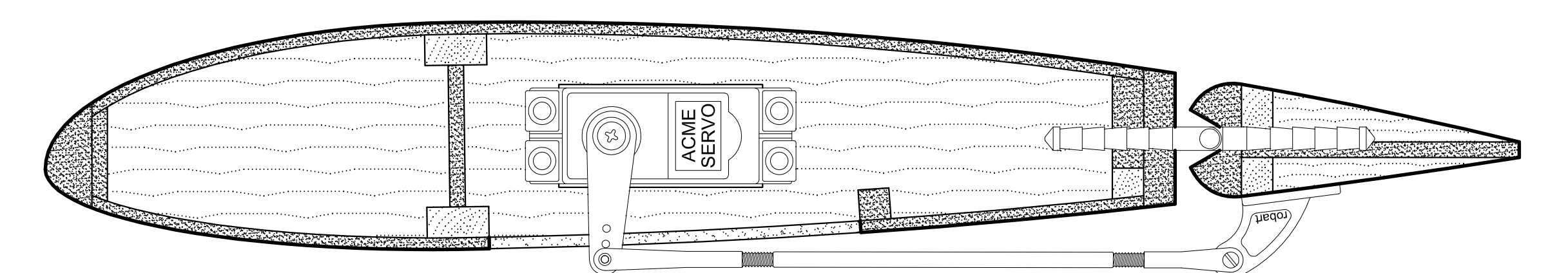
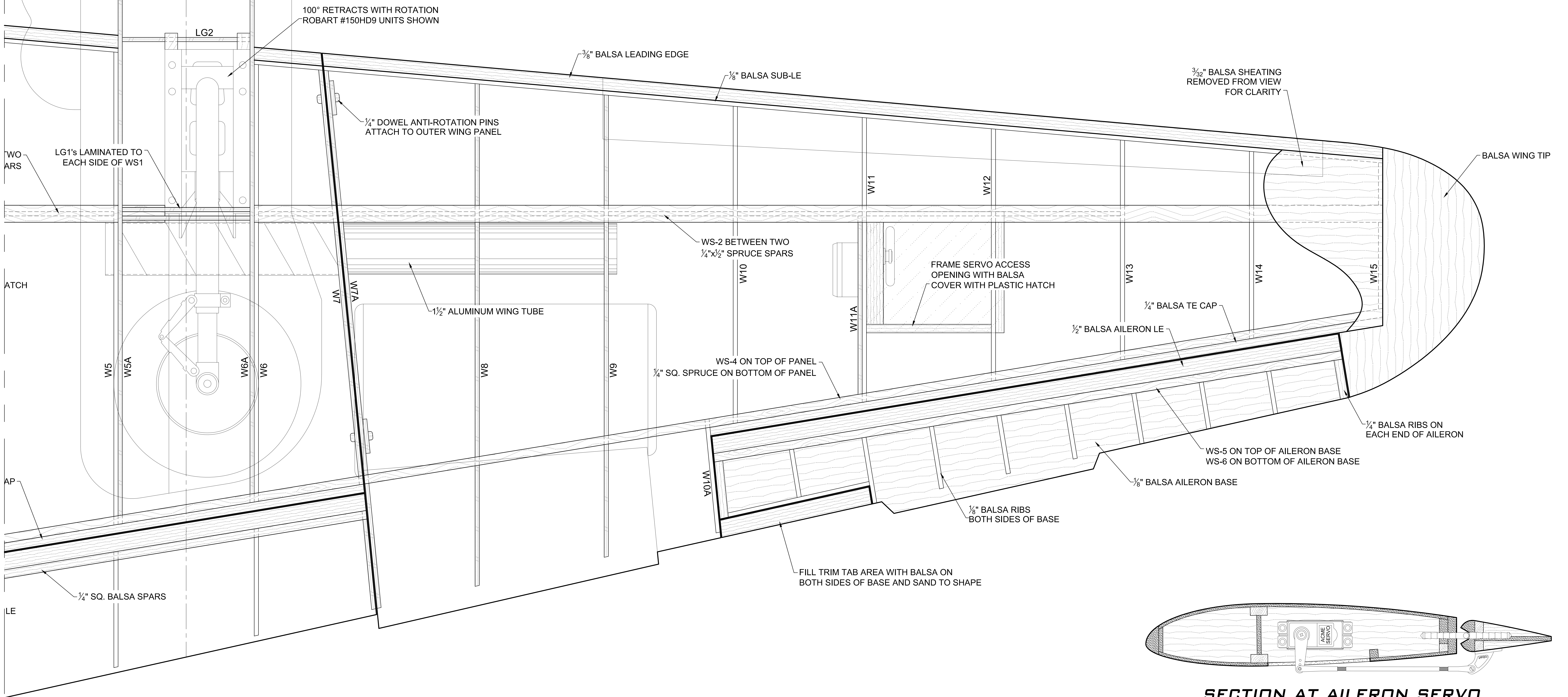
	ME-410 SPECIFICATIONS SPAN: 110" POWER: 2 x 30cc	<small> These are drawings are for personal use only. Any reproduction or distribution of these drawings is strictly prohibited. Dynamic RC assumes no liability for the completion or use of any model assembled from these drawings. All drawings were from similar to full scale aircraft, are entirely fictional and created by Dynamic RC. </small>
	<small> DRAWN BY: TONY LEBES REV: 07-18-20 </small>	





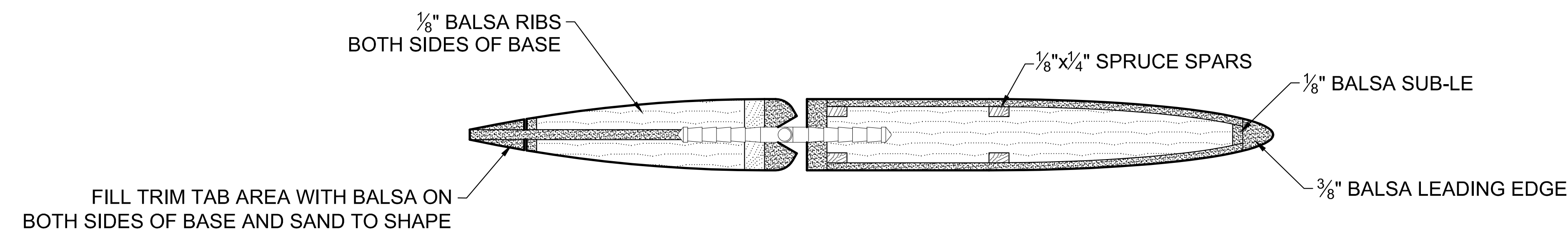
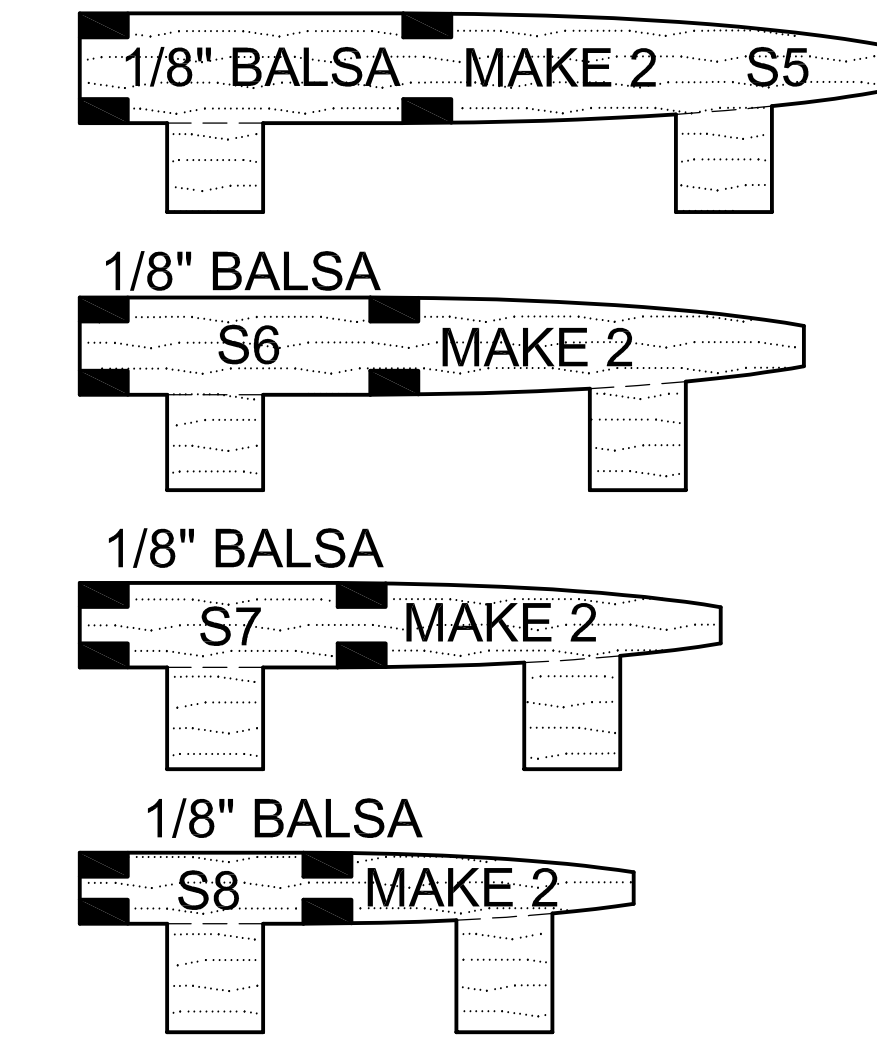
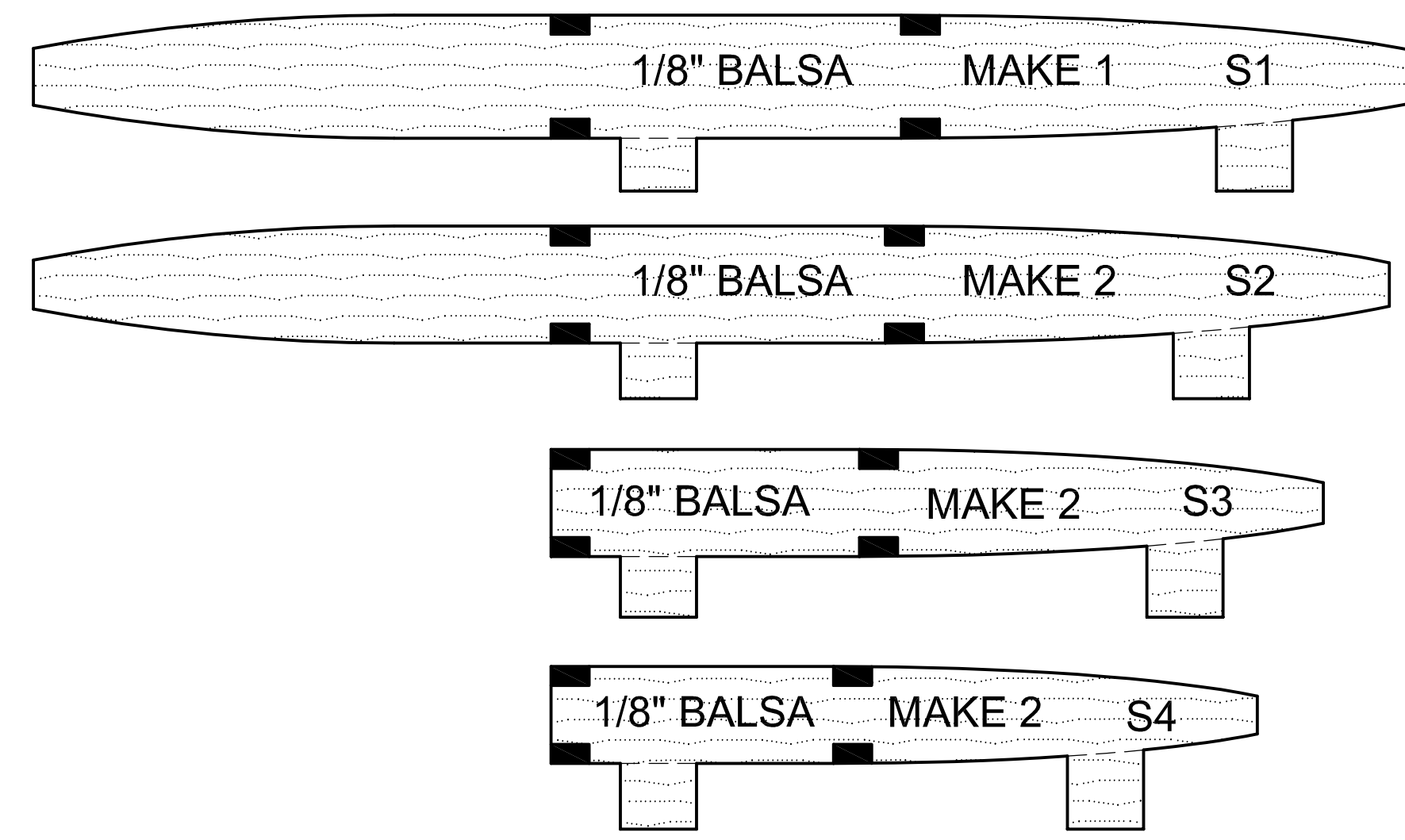
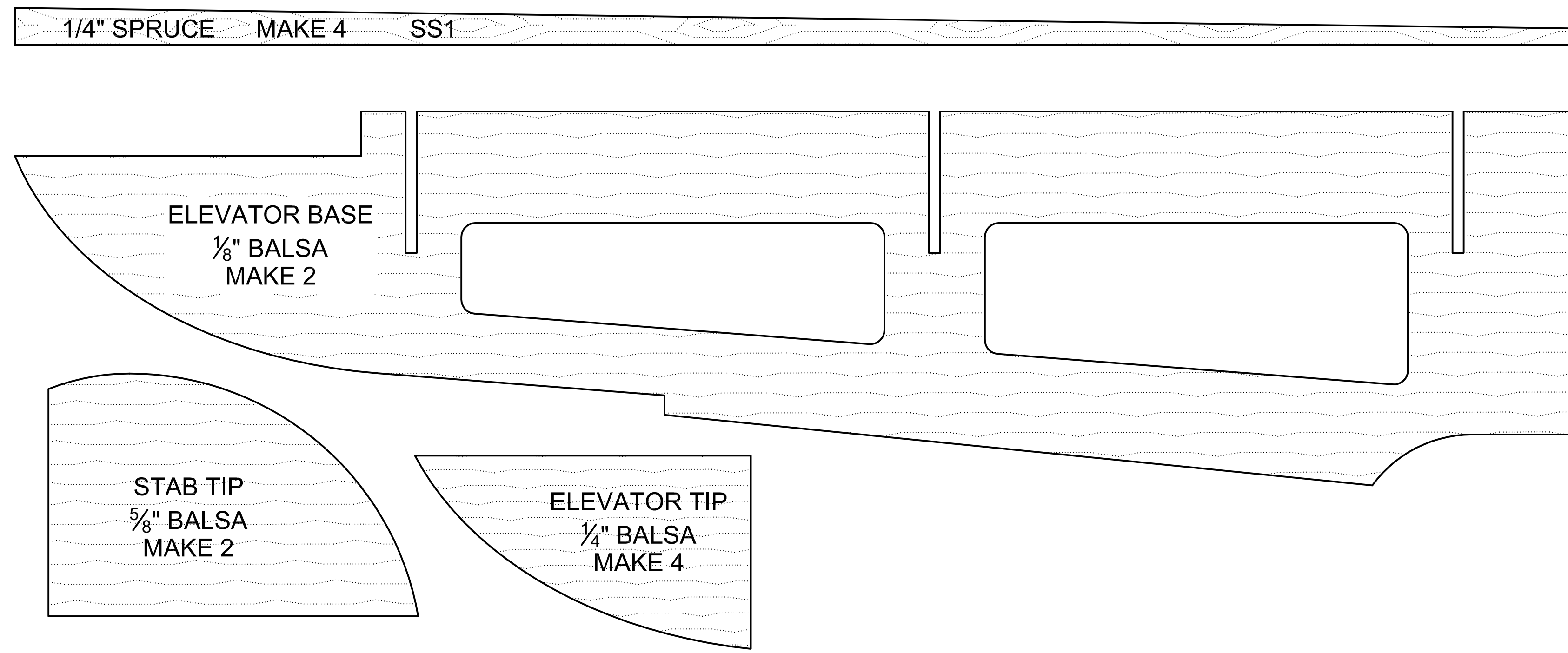
SECTION AT FLAP SERVO

PORT WING PANEL
WING BUILDS UPSIDE DOWN

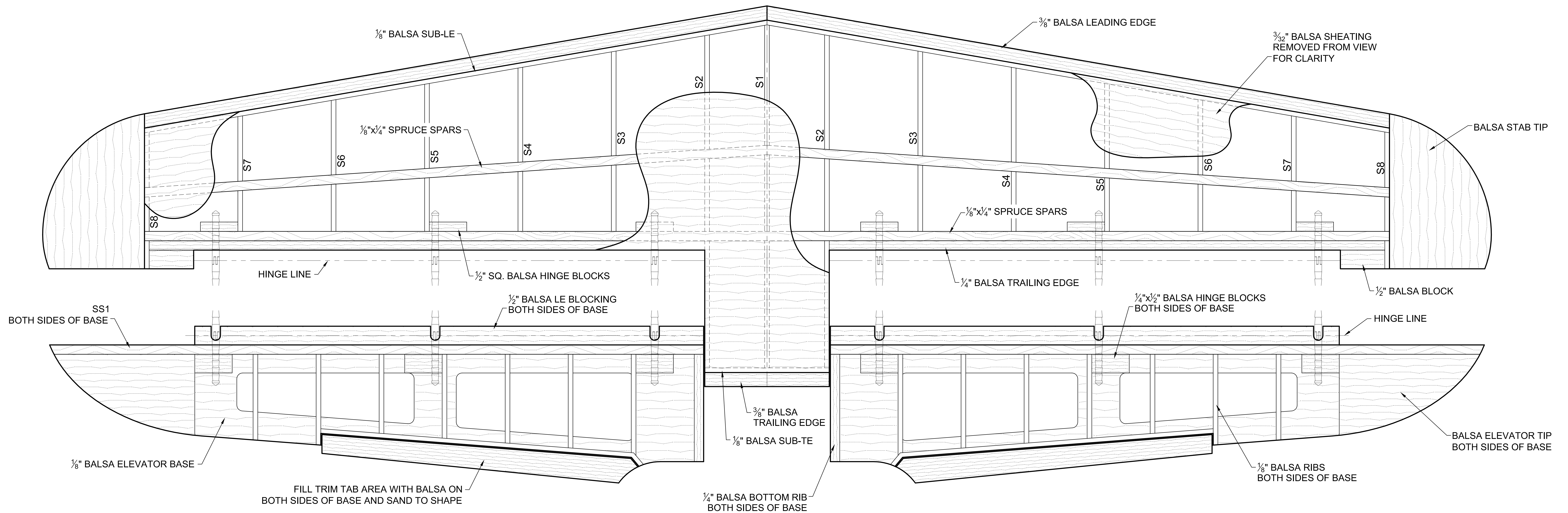


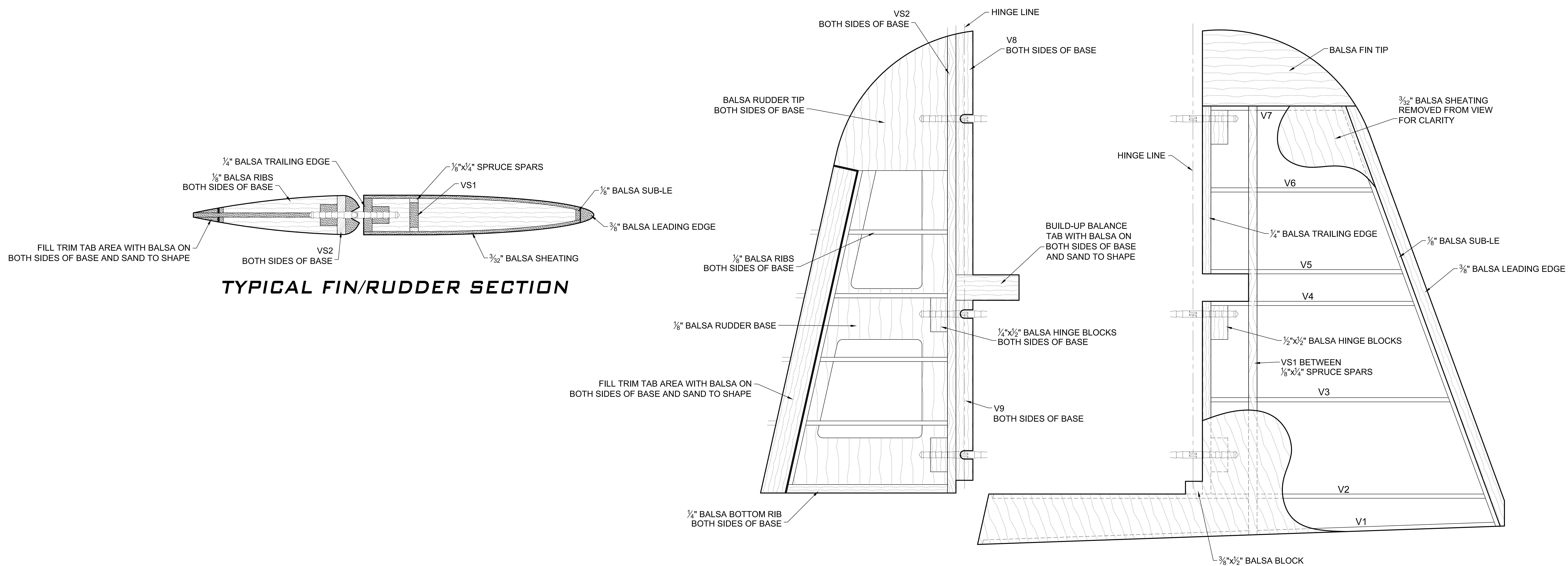
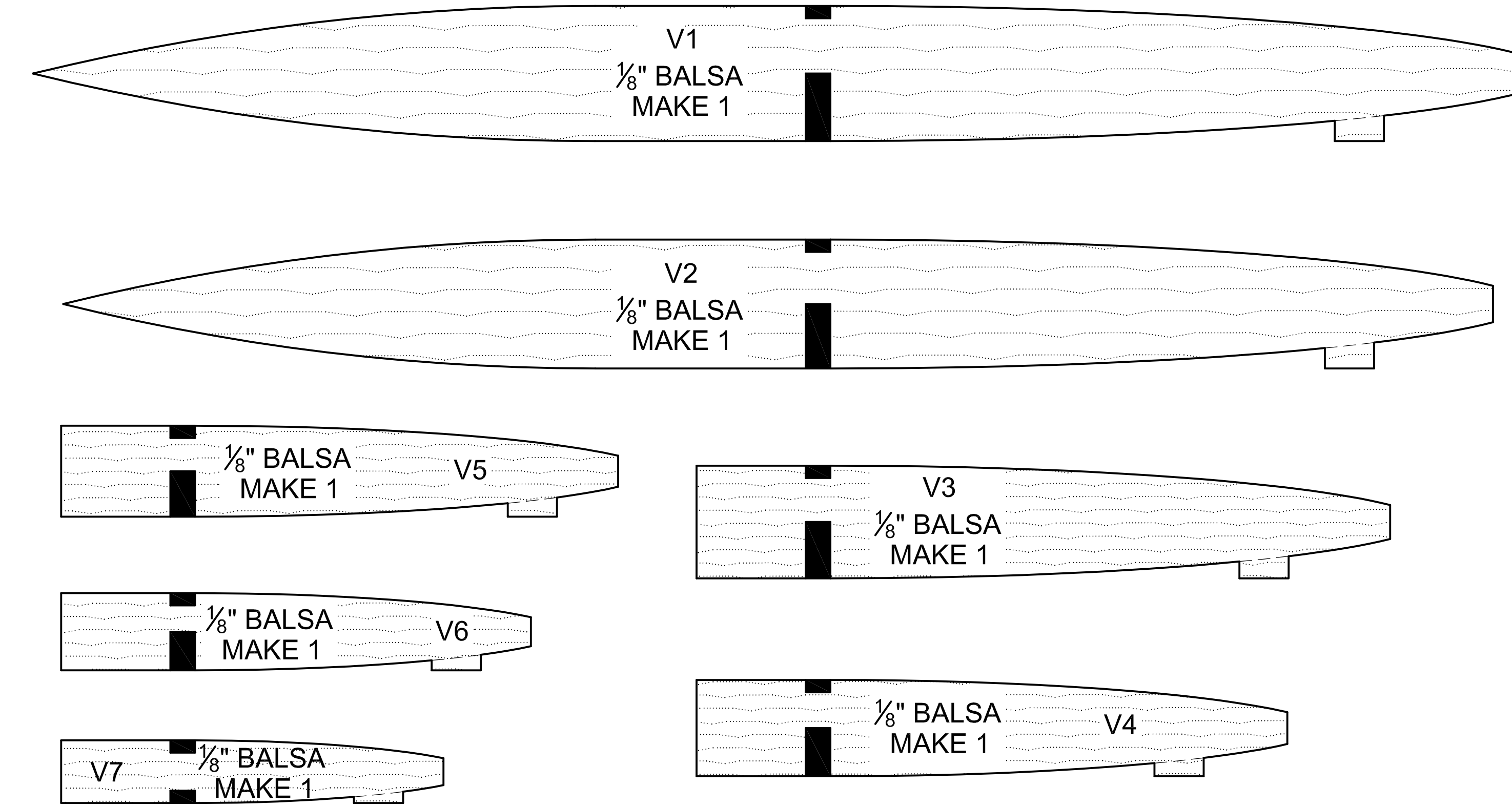
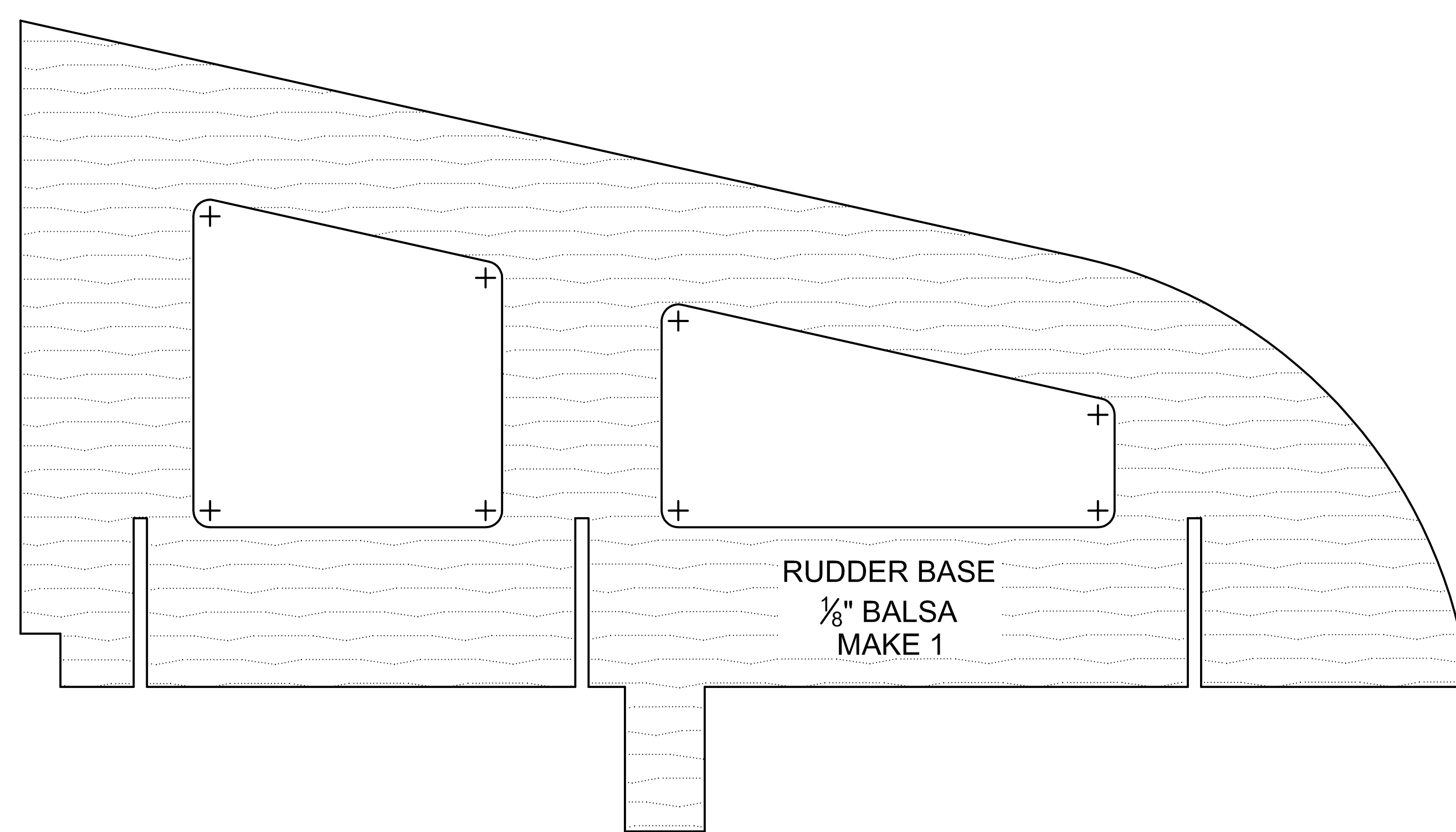
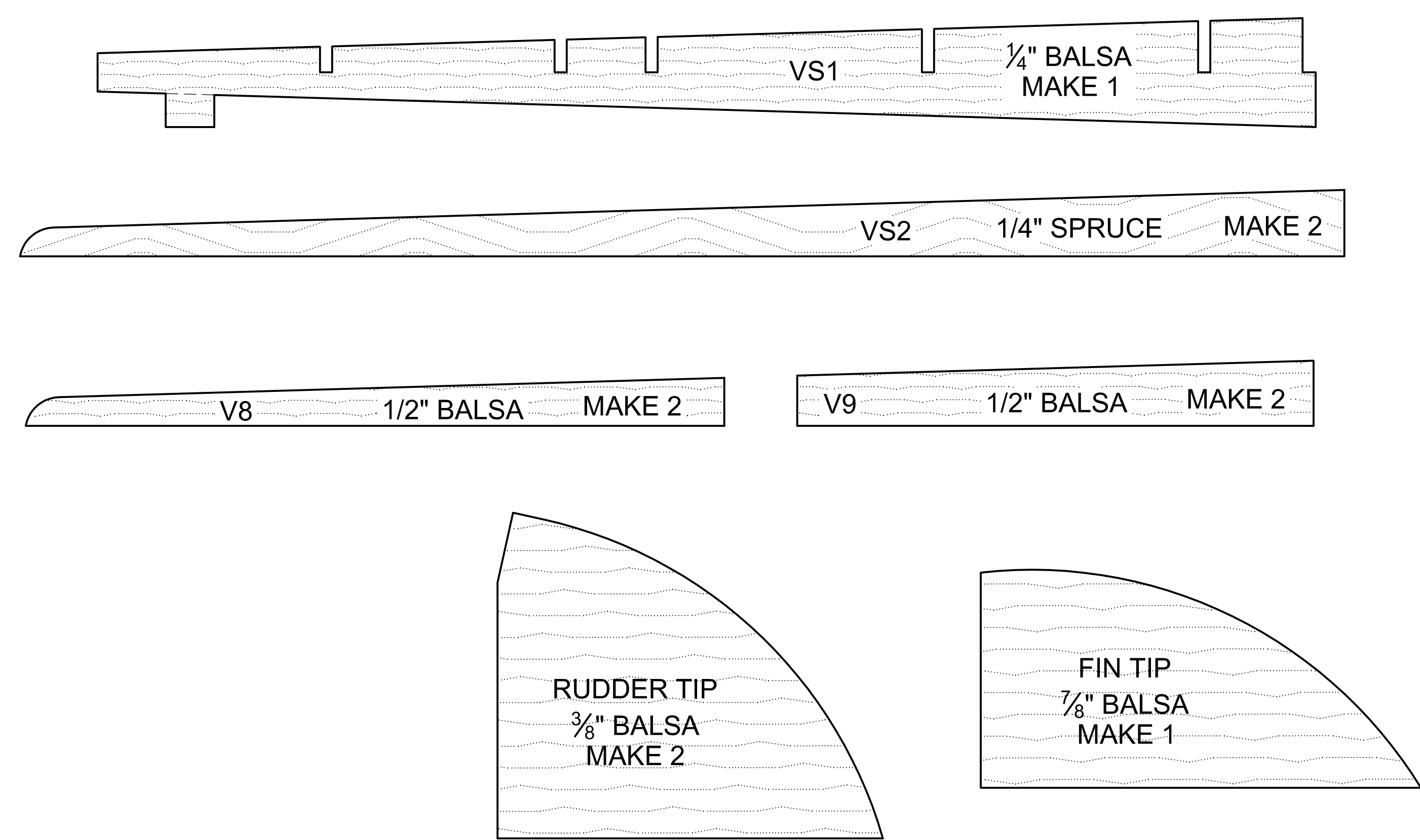
SECTION AT AILERON SERVO

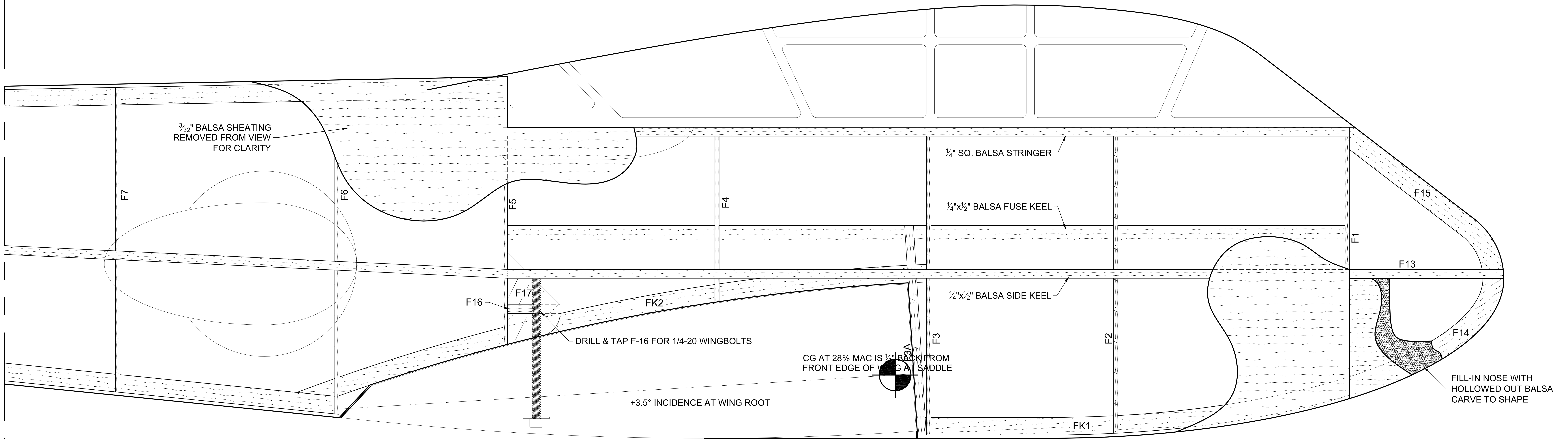
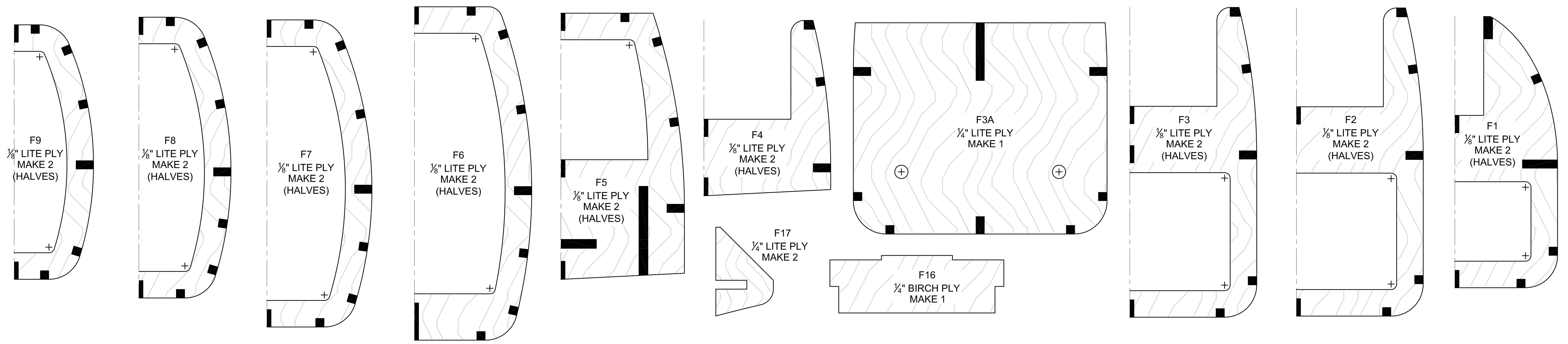
	ME-410	<small>REV: 07-18-20</small>
	SPECIFICATIONS SPAN: 110" POWER: 2 x 30cc	<small>These are drawings are for personal use only. Any reproduction or distribution of these drawings is strictly prohibited. Dynamic RC assumes no liability for the completion or use of any model assembled from these drawings. All drawings were from similar to full scale aircraft, are entirely fictional and created by Dynamic RC.</small>



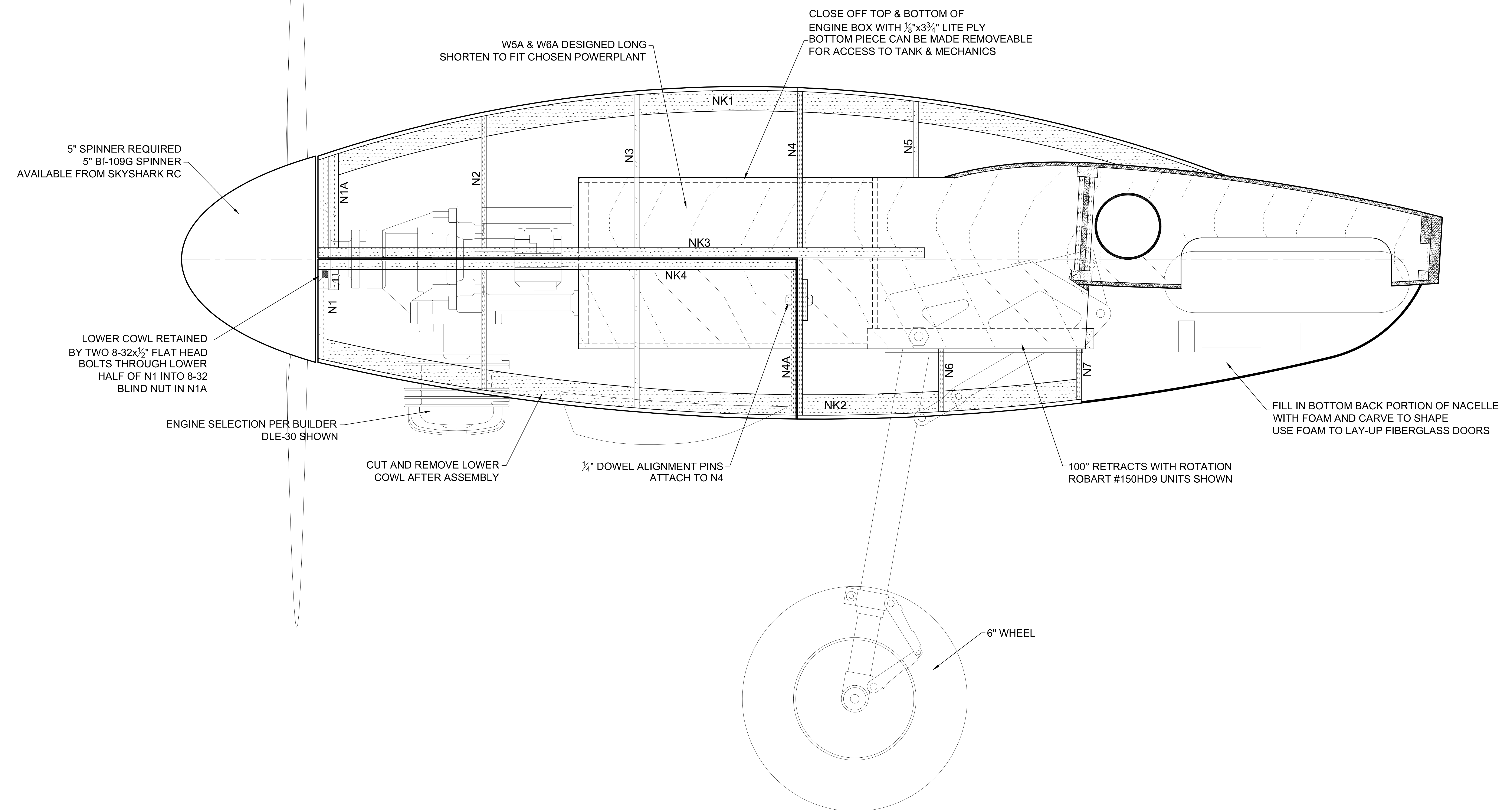
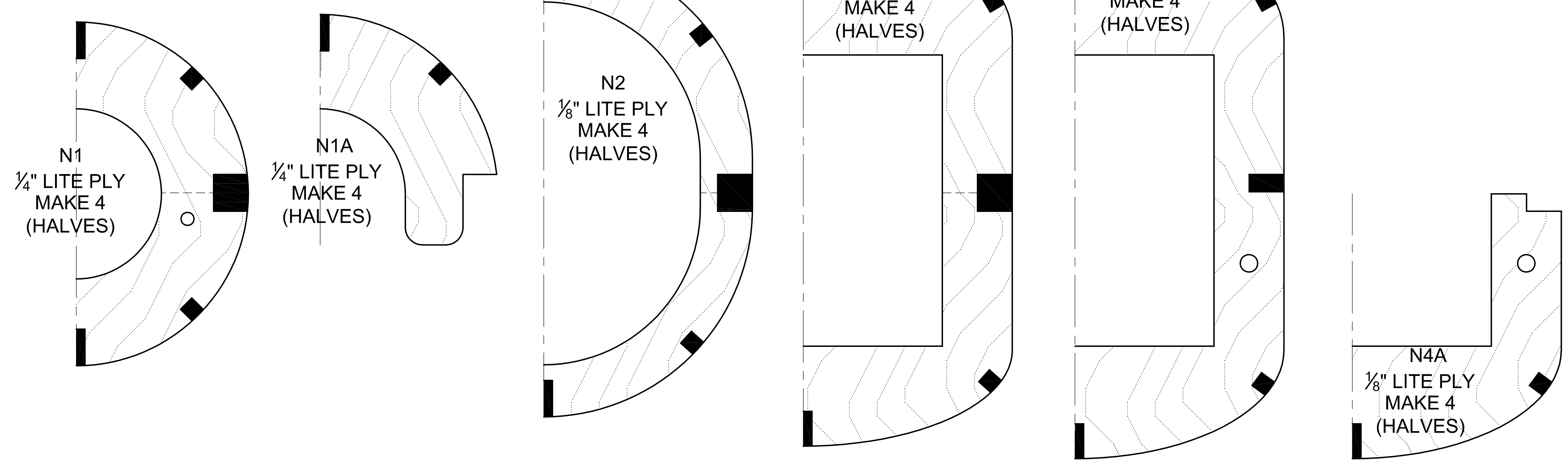
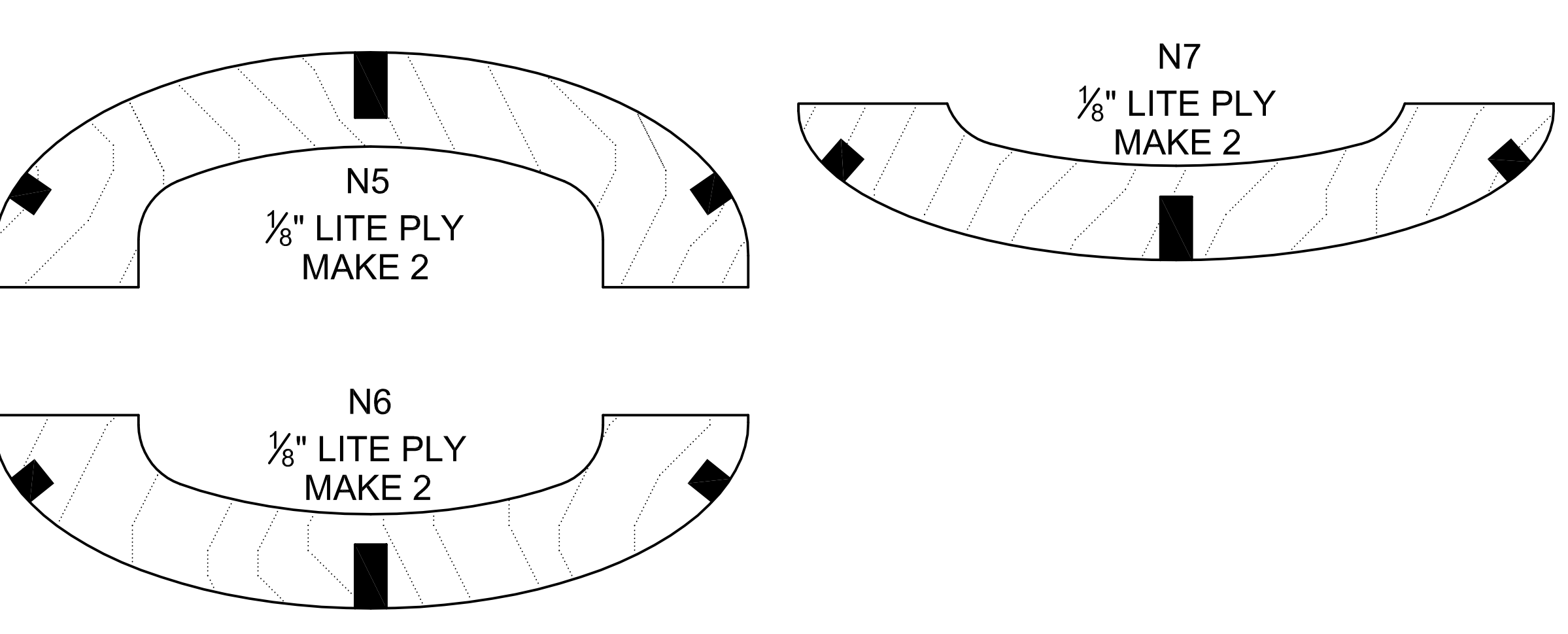
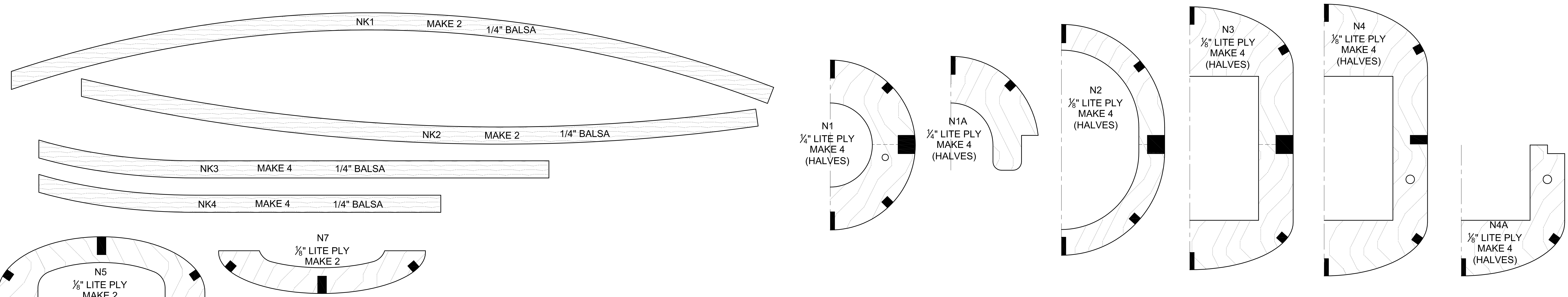
TYPICAL STAB/ELEVATOR SECTION



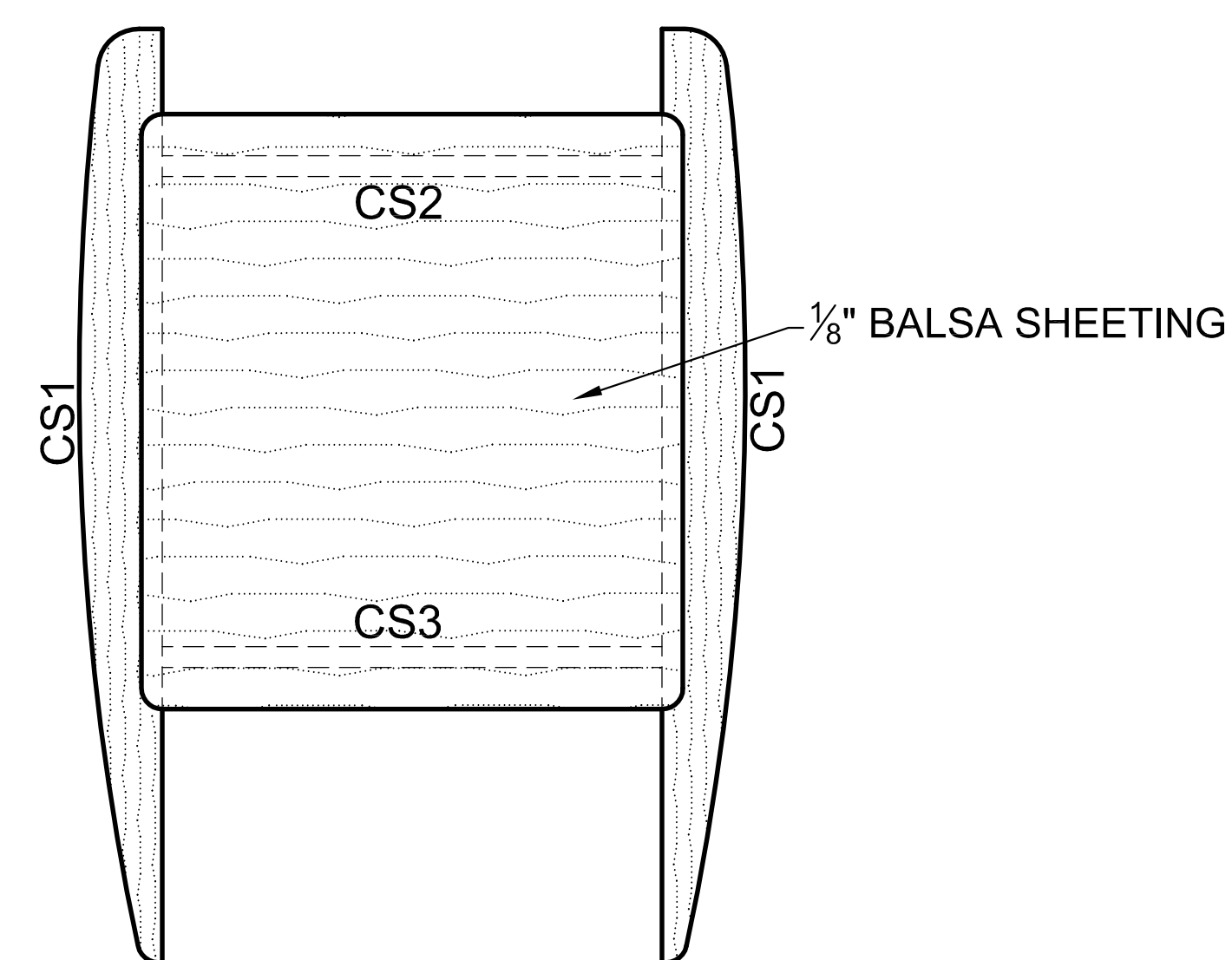
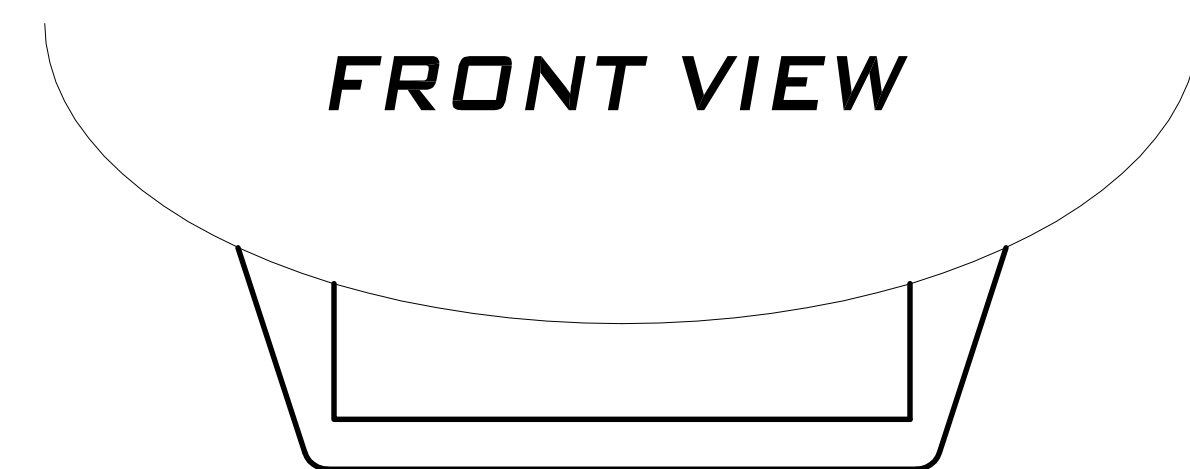
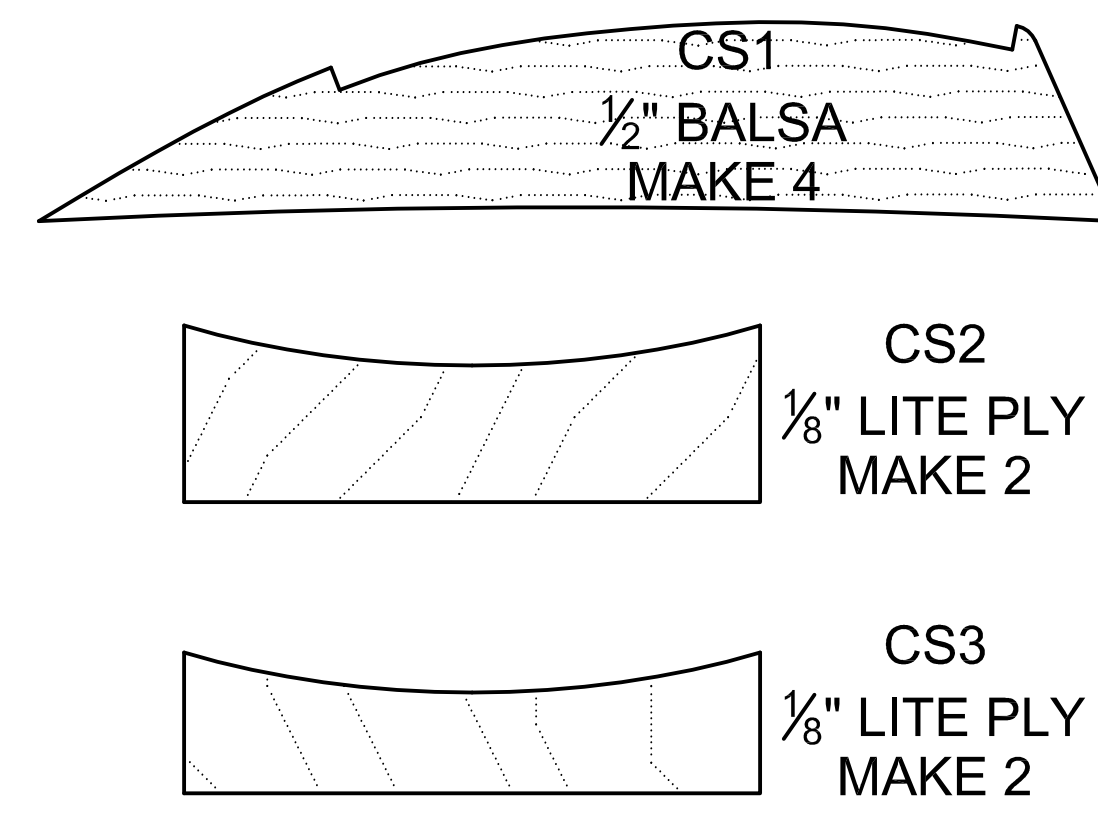




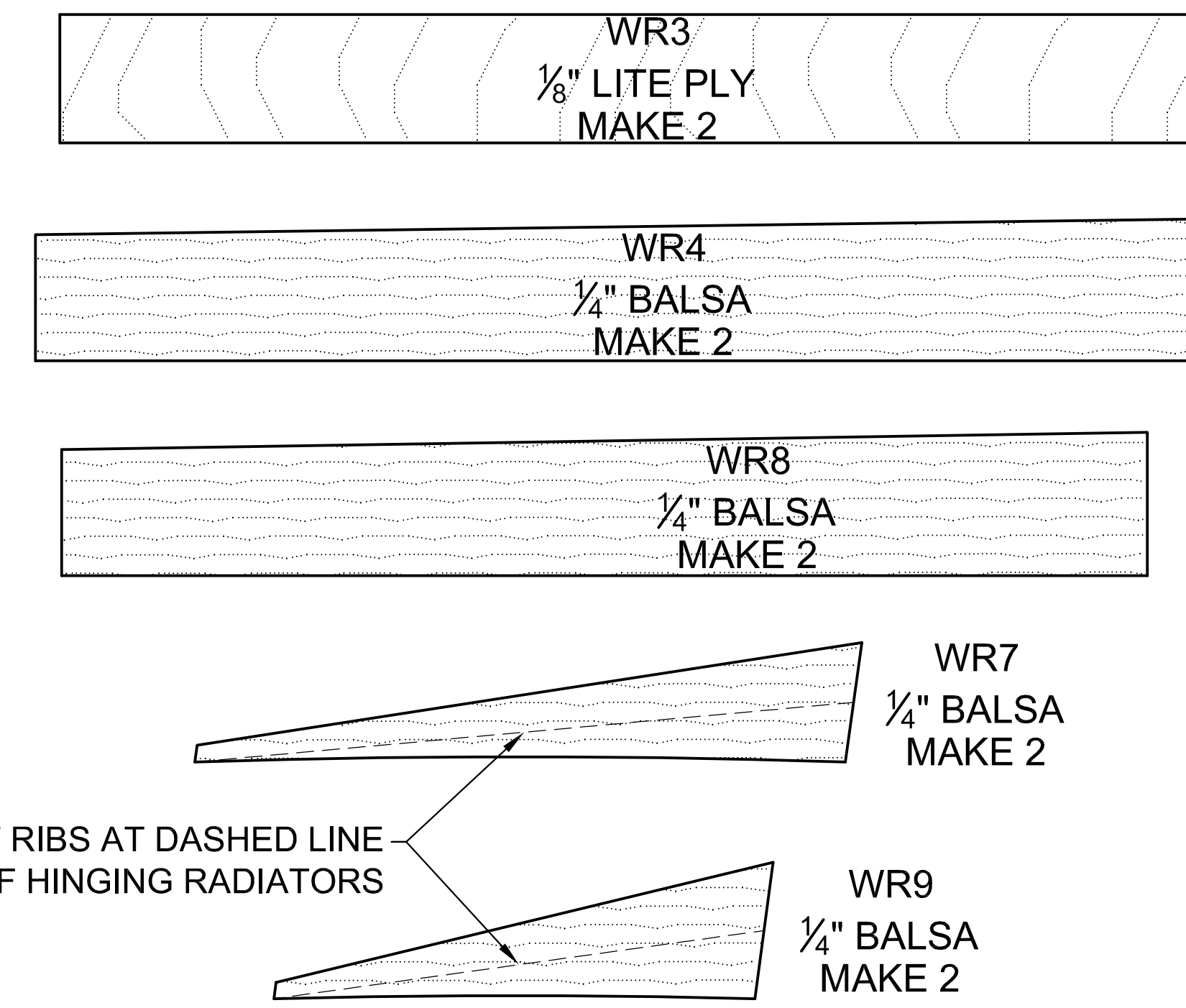
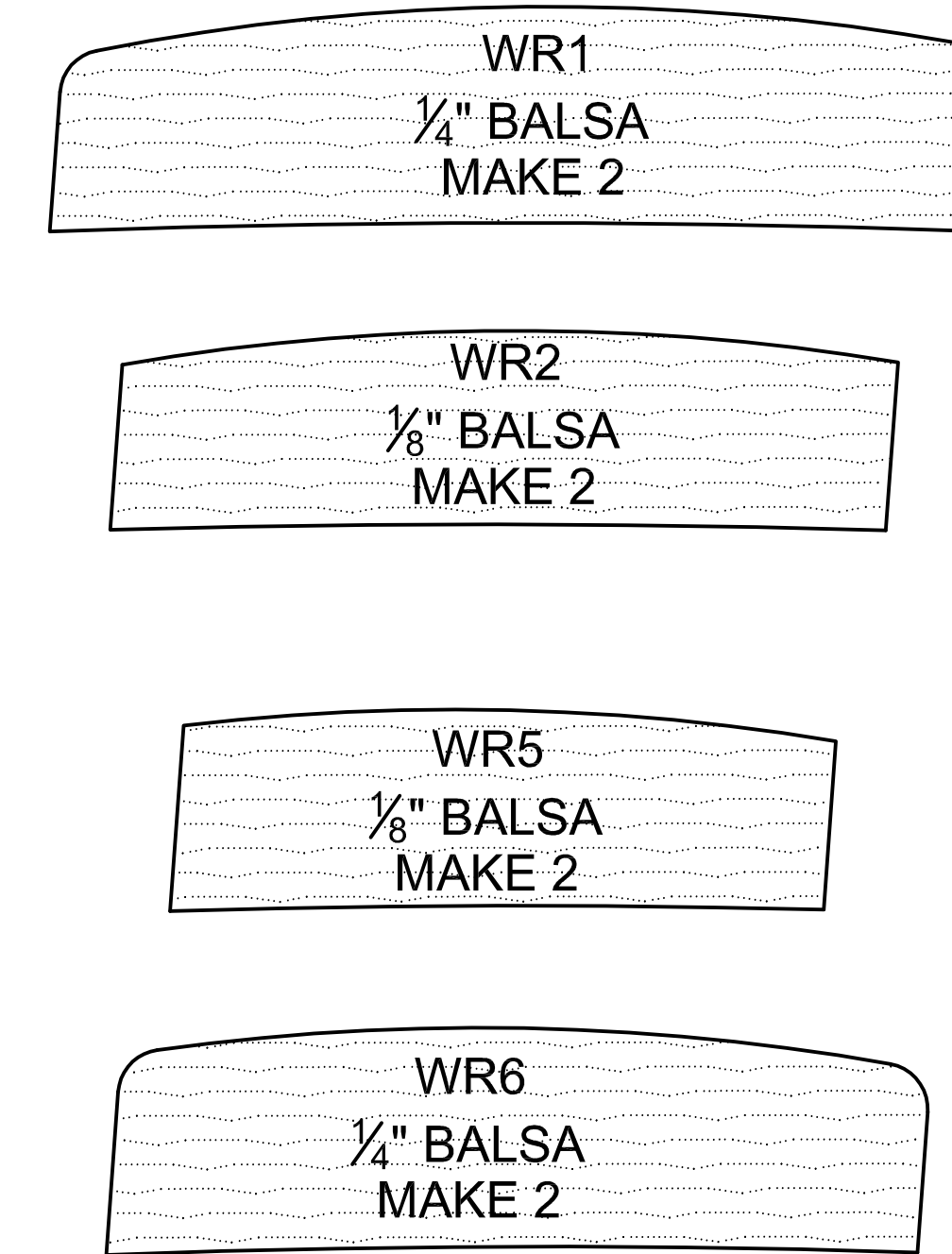
	ME-410		REV: 07-18-20
	SPECIFICATIONS SPAN: 110" POWER: 2 x 30cc		<small>These are drawings are for personal use only. Any reproduction or distribution of these drawings is strictly prohibited. Dynamic RC assumes no liability for the completion or use of any model assembled from these drawings. All drawings were made similar to full scale aircraft, are entirely fictional and created by Dynamic RC.</small>



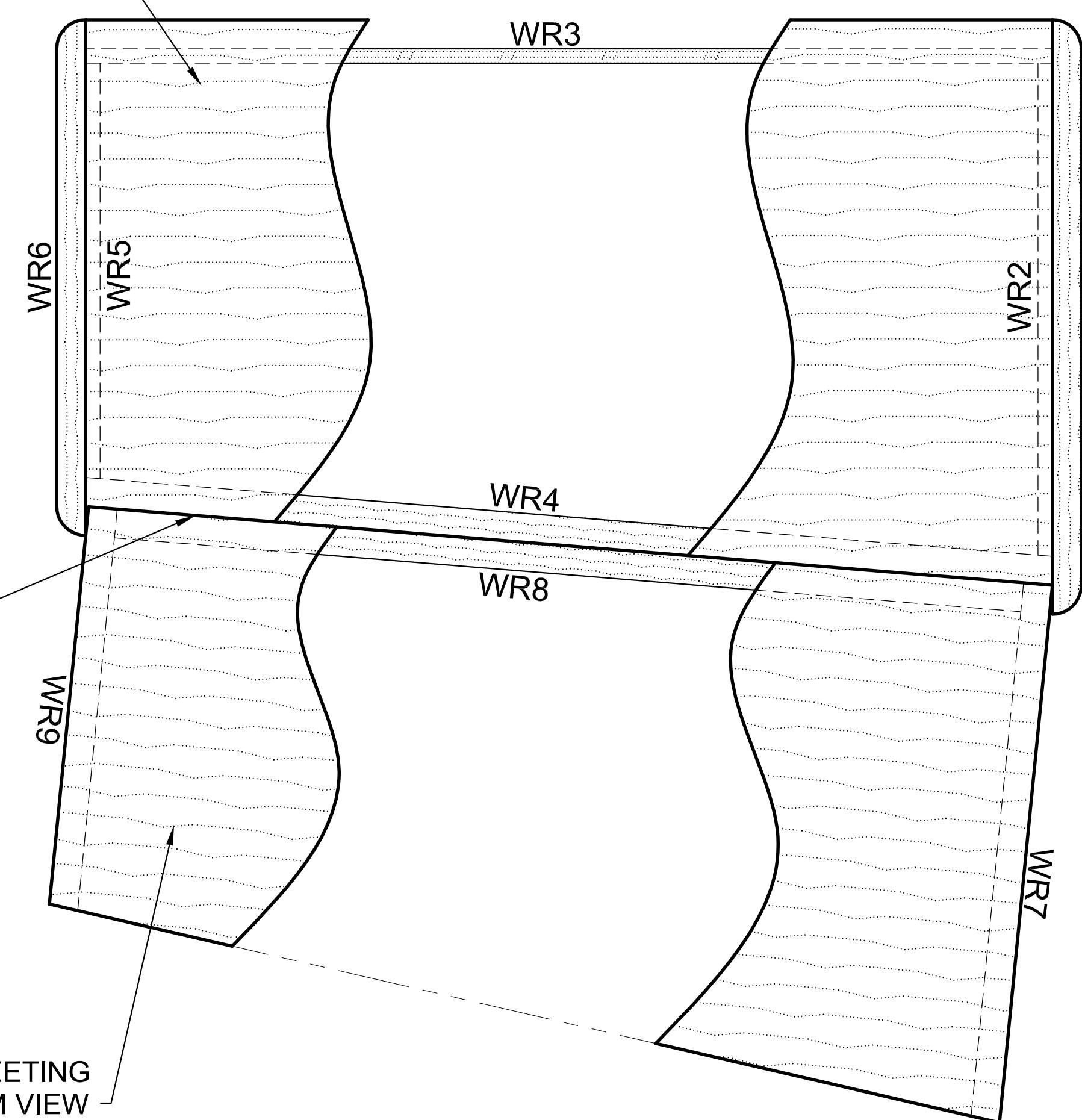
	ME-410	<small>REV: 07-18-20</small>
	SPECIFICATIONS SPAN: 110" POWER: 2 x 30cc	<small>These are drawings are for personal use only. Any reproduction or distribution of these drawings is strictly prohibited. Dynamic RC assumes no liability for the completion or use of any model assembled from these drawings. All drawings were made similar to full scale aircraft, are entirely fictional and created by Dynamic RC.</small>



COWL SCOOP



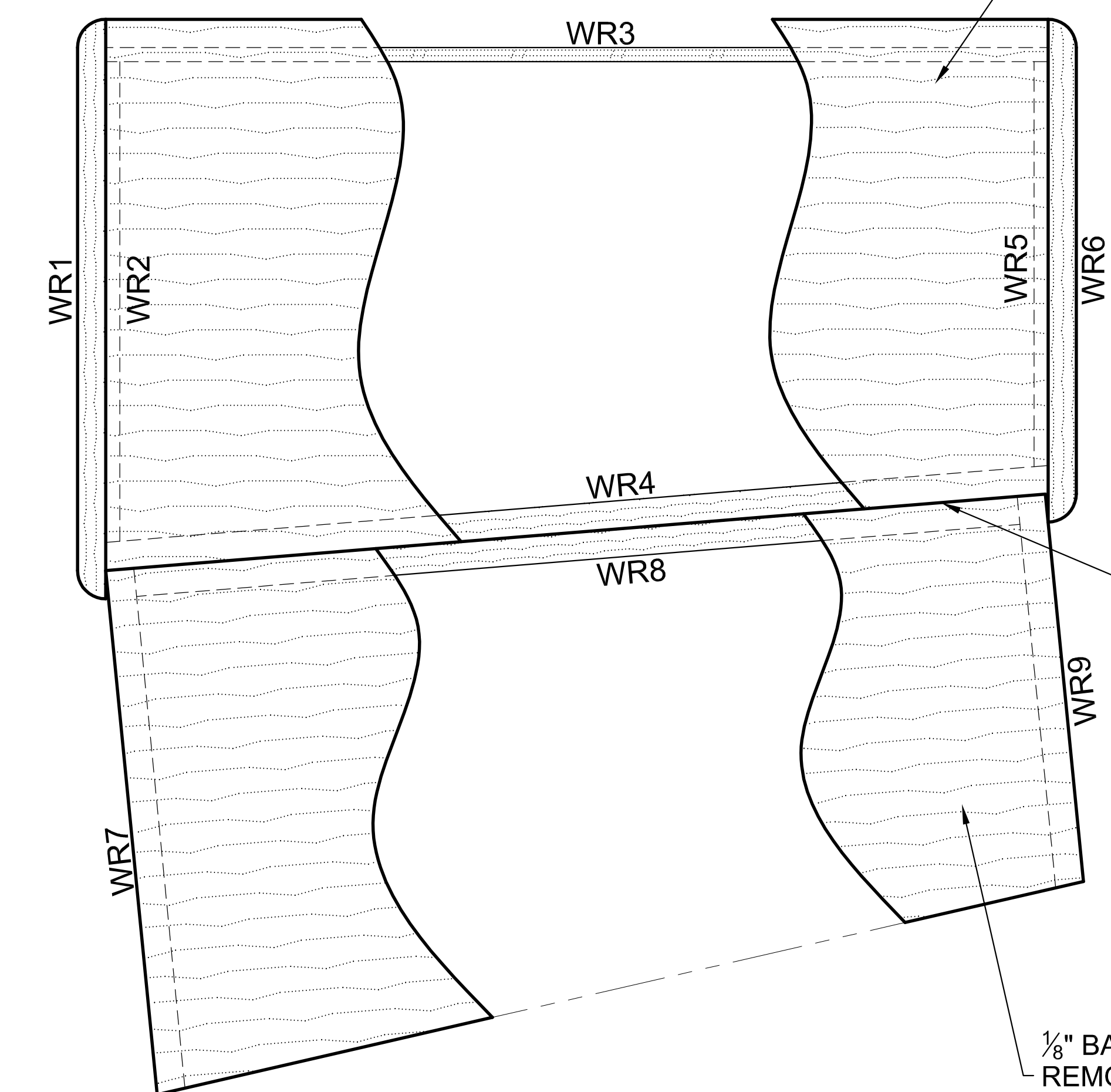
1/8" Balsa SHEETING
REMOVED FROM VIEW
FOR CLARITY



RADIATOR DOOR CAN BE
HINGED AT THE SEAM
BETWEEN WR4 & WR8 IF
BUILDER WANTS TO
MAKE IT FUNCTIONAL

1/8" Balsa SHEETING
REMOVED FROM VIEW
FOR CLARITY

1/8" Balsa SHEETING
REMOVED FROM VIEW
FOR CLARITY



RADIATOR DOOR CAN BE
HINGED AT THE SEAM
BETWEEN WR4 & WR8 IF
BUILDER WANTS TO
MAKE IT FUNCTIONAL

1/8" Balsa SHEETING
REMOVED FROM VIEW
FOR CLARITY

WING RADIATORS