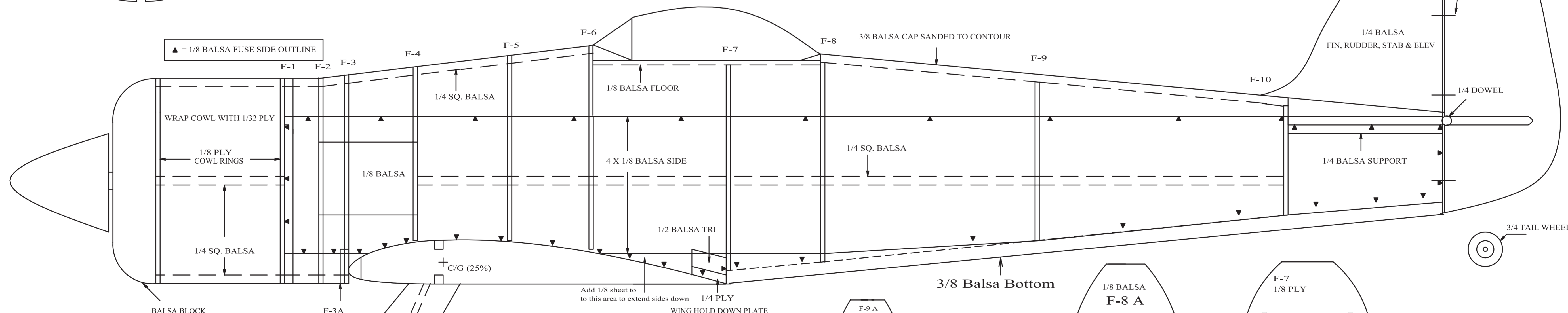
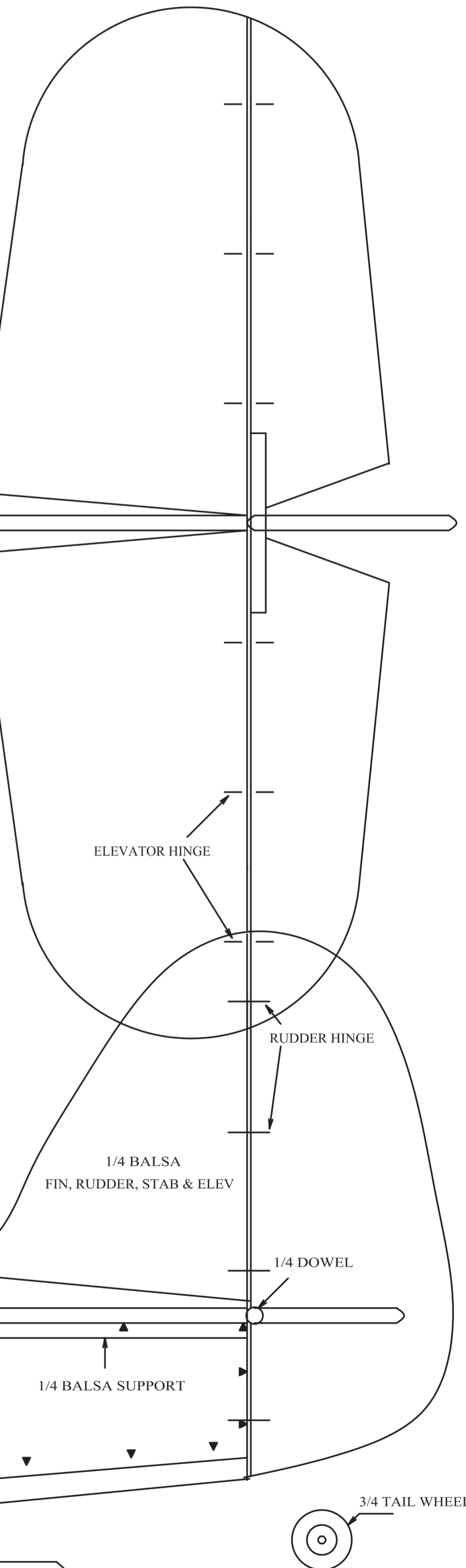
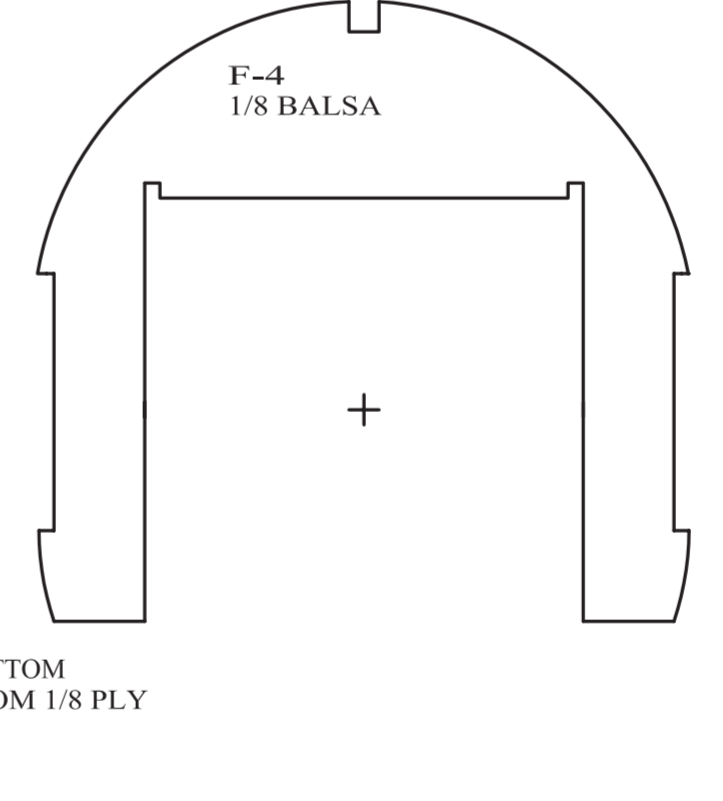
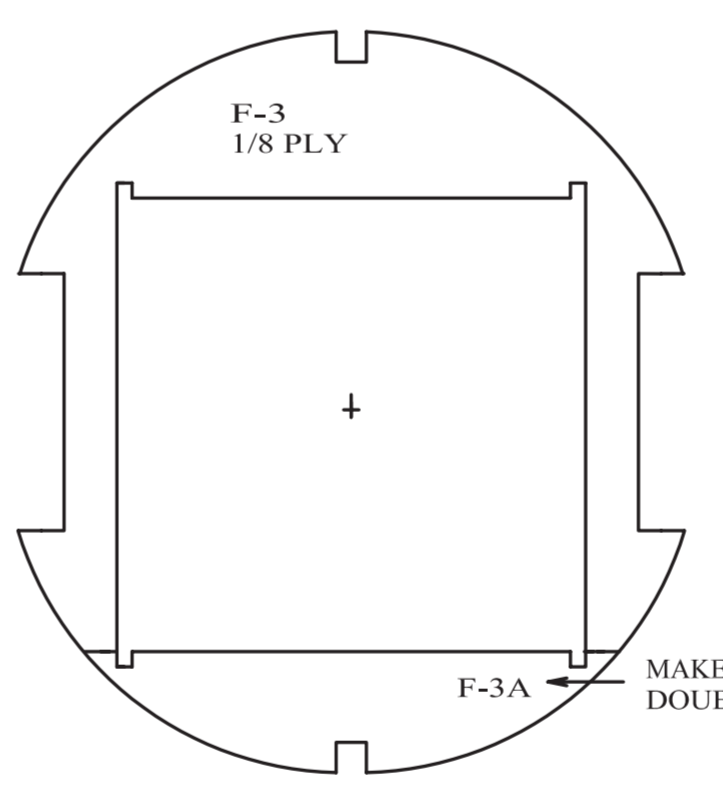
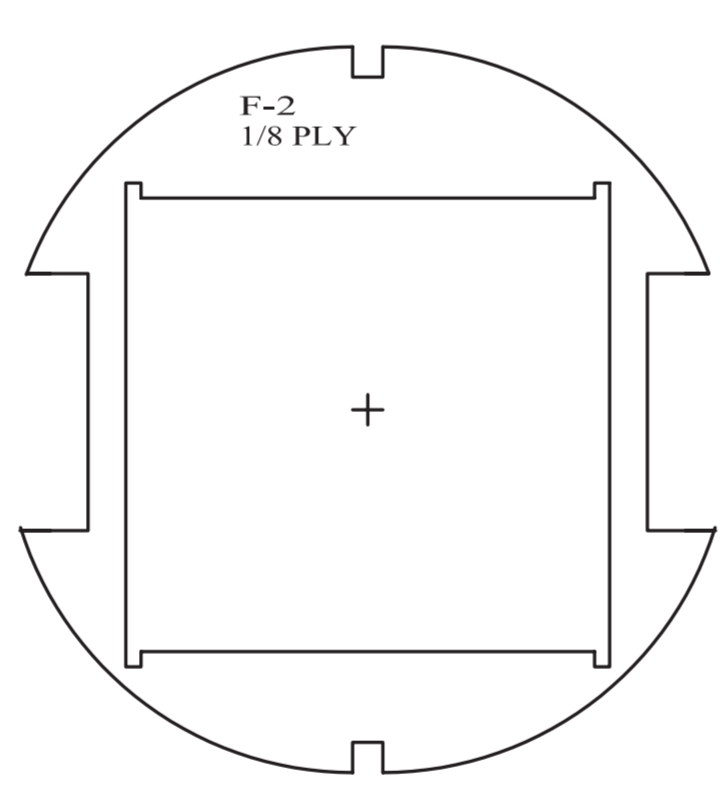
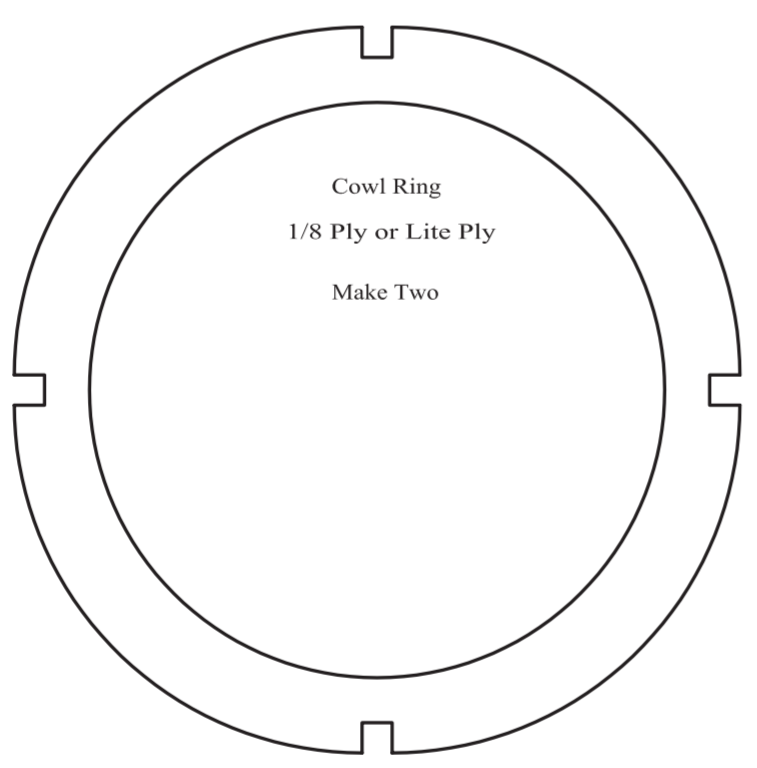
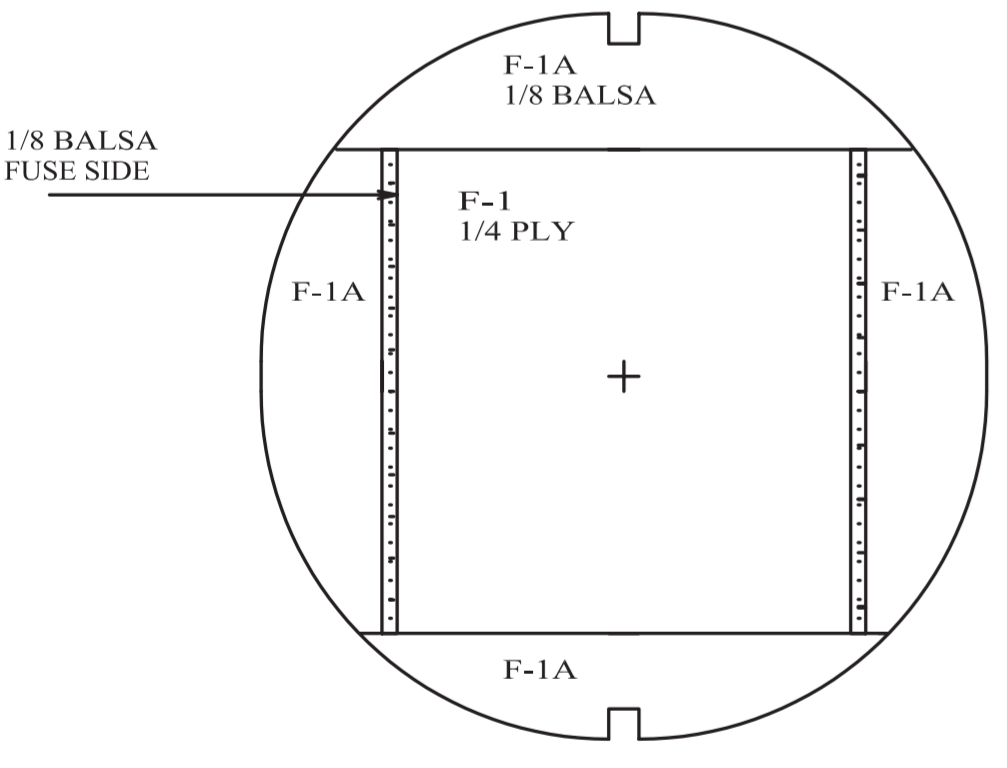
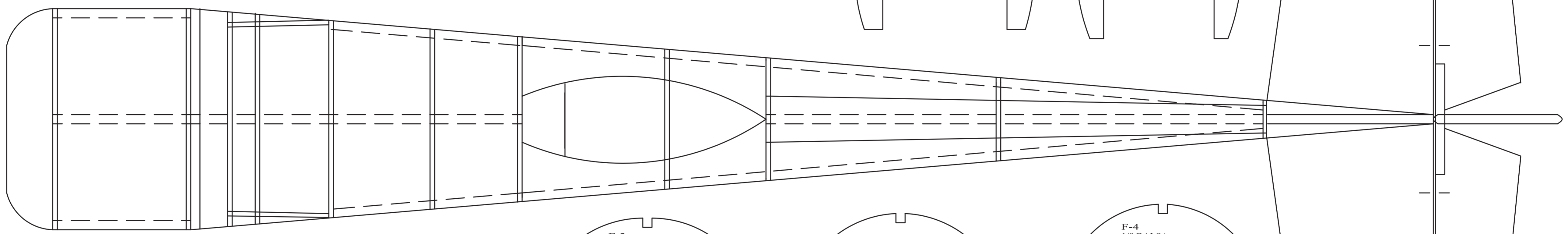
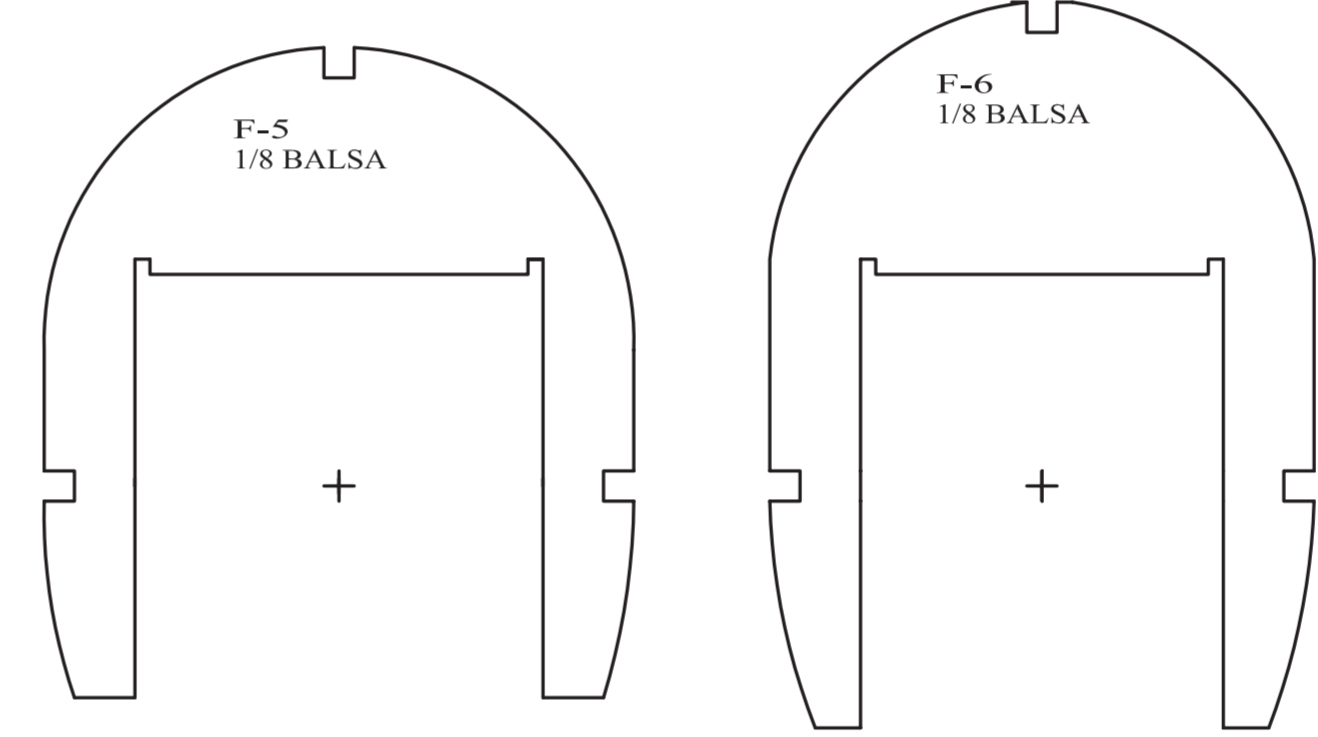
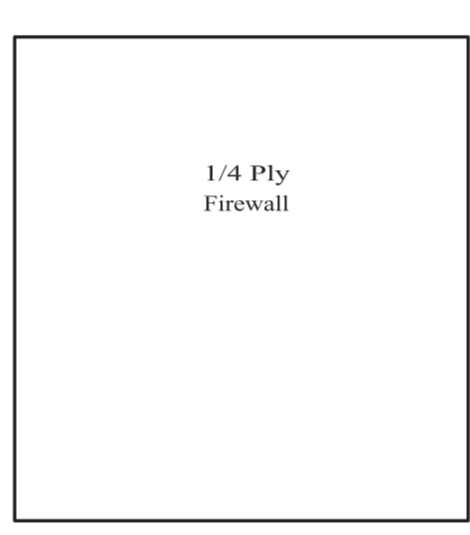
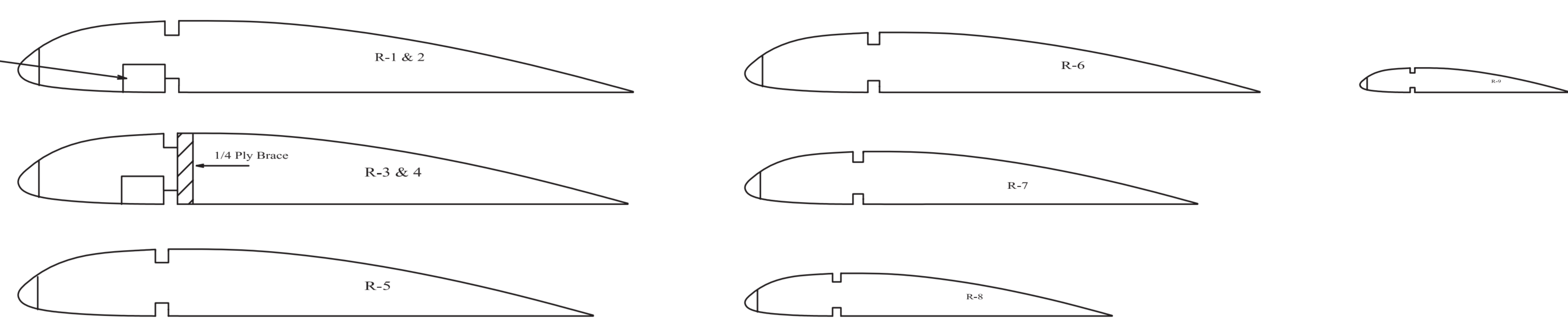


RIB #1 = 1/4 Balsa  
 ALL OTHER RIBS 3/32 Balsa  
 SHEET ENTIRE WING WITH 1/32 PLY

FEEL FREE TO MAKE ANY CHANGES YOU NEED

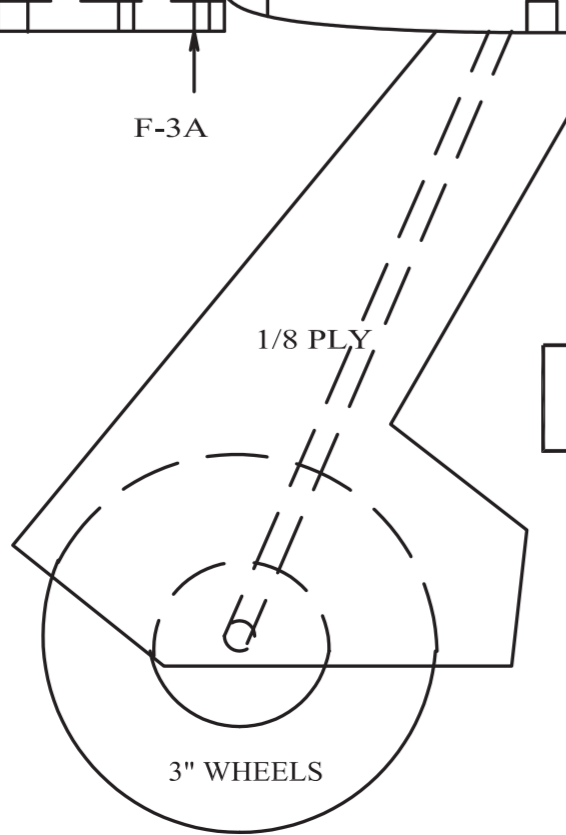
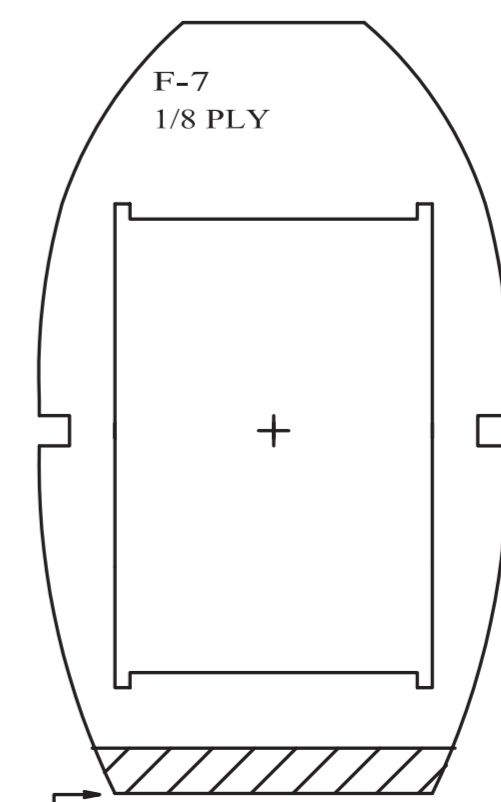
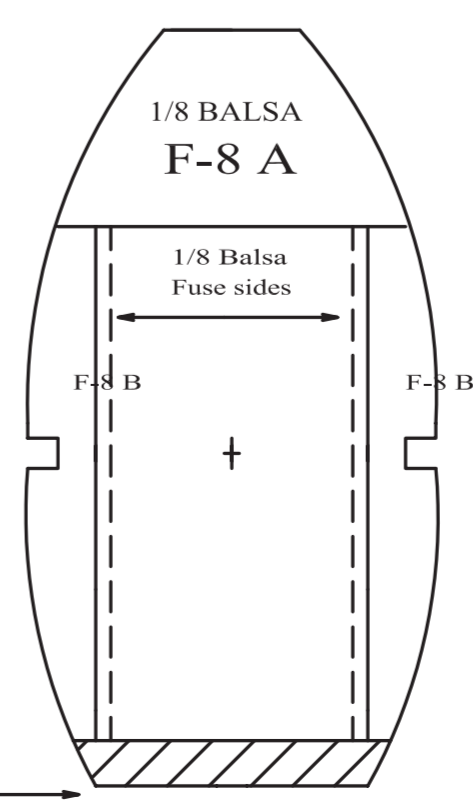
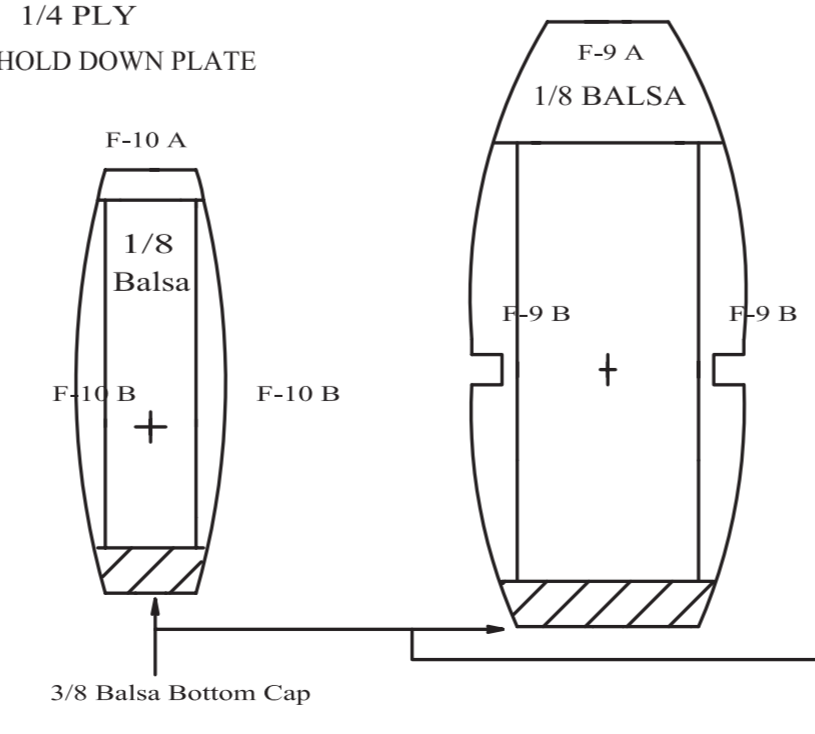
1/2 X 3/4 GROOVED LG BLOCK



▲ = 1/8 Balsa FUSE SIDE OUTLINE

► = 1/8 X 4 Balsa OUTLINE

NOTE: SHEET ENTIRE FUSELAGE WITH 1/32 PLY



## HAWKER SEA FURY

DESIGNED & DRAWN BY DAN SIMPSON

SCALE - INCHES