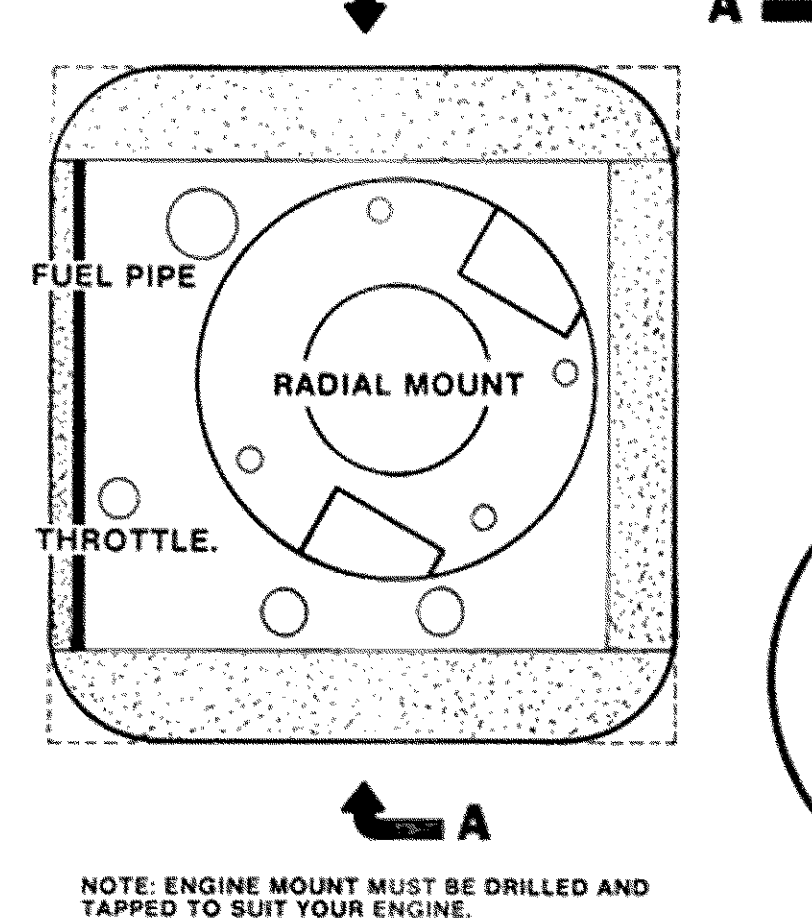
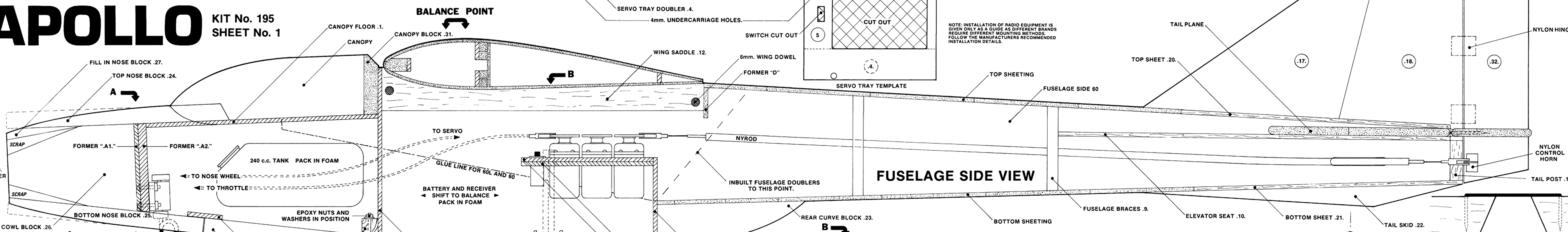
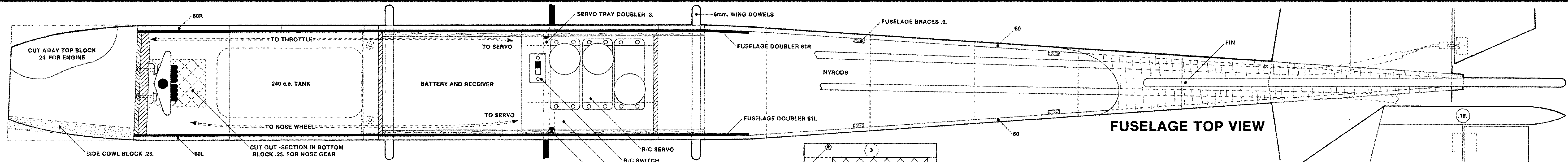
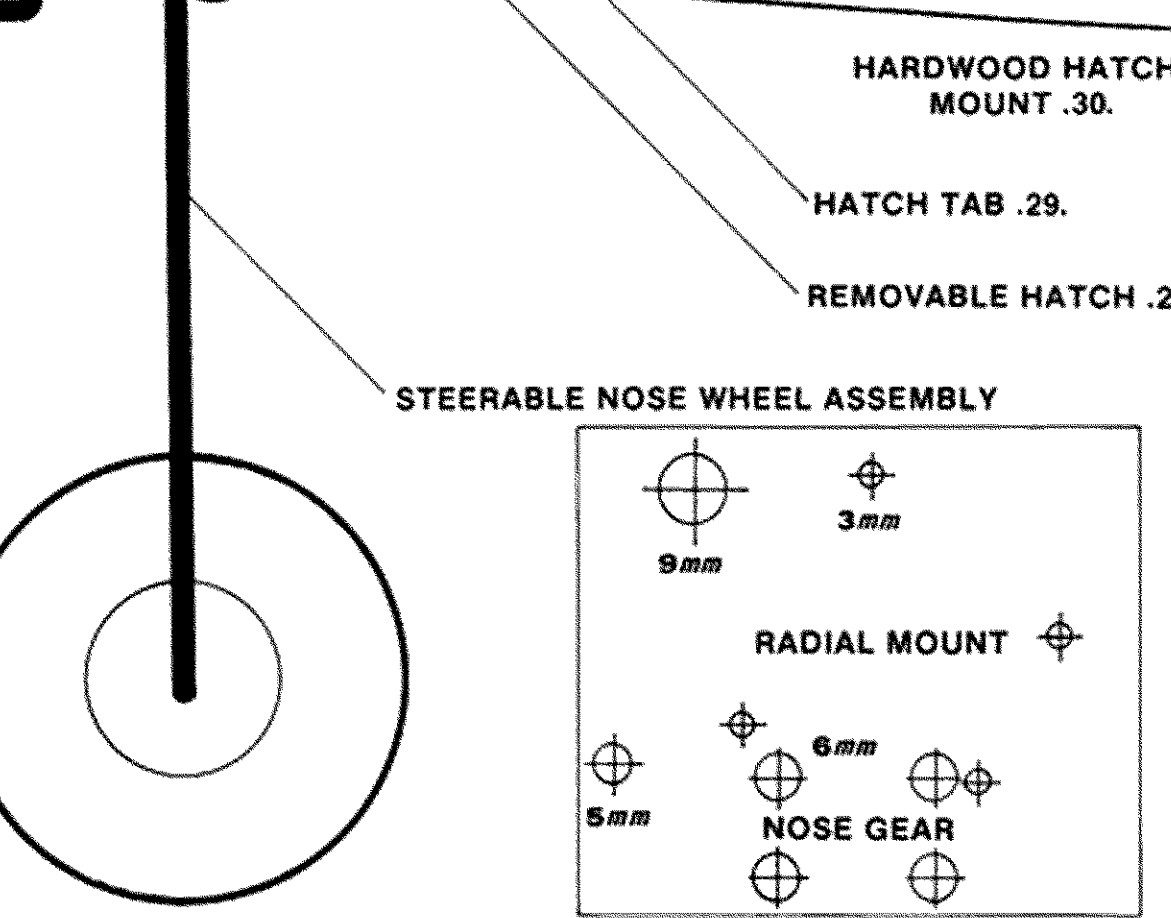


APOLLO

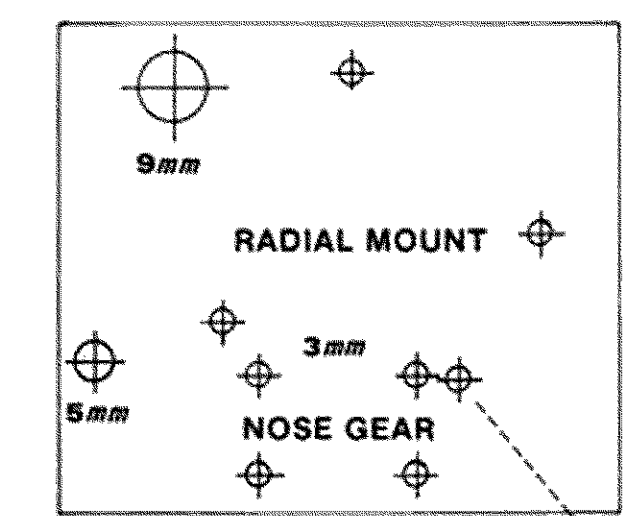
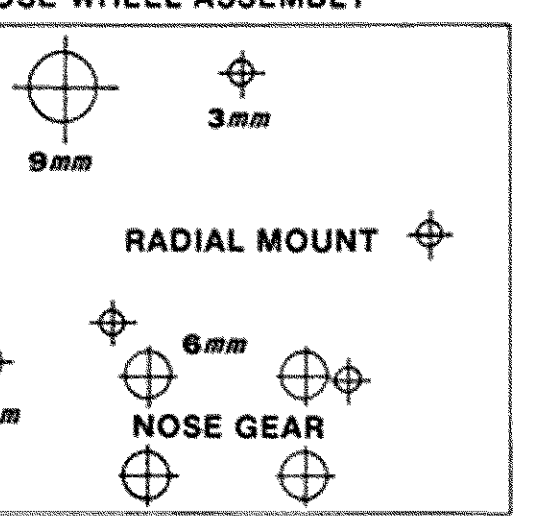
KIT No. 195
SHEET No. 1



NOTE: ENGINE MOUNT MUST BE DRILLED AND TAPPED TO SUIT YOUR ENGINE.

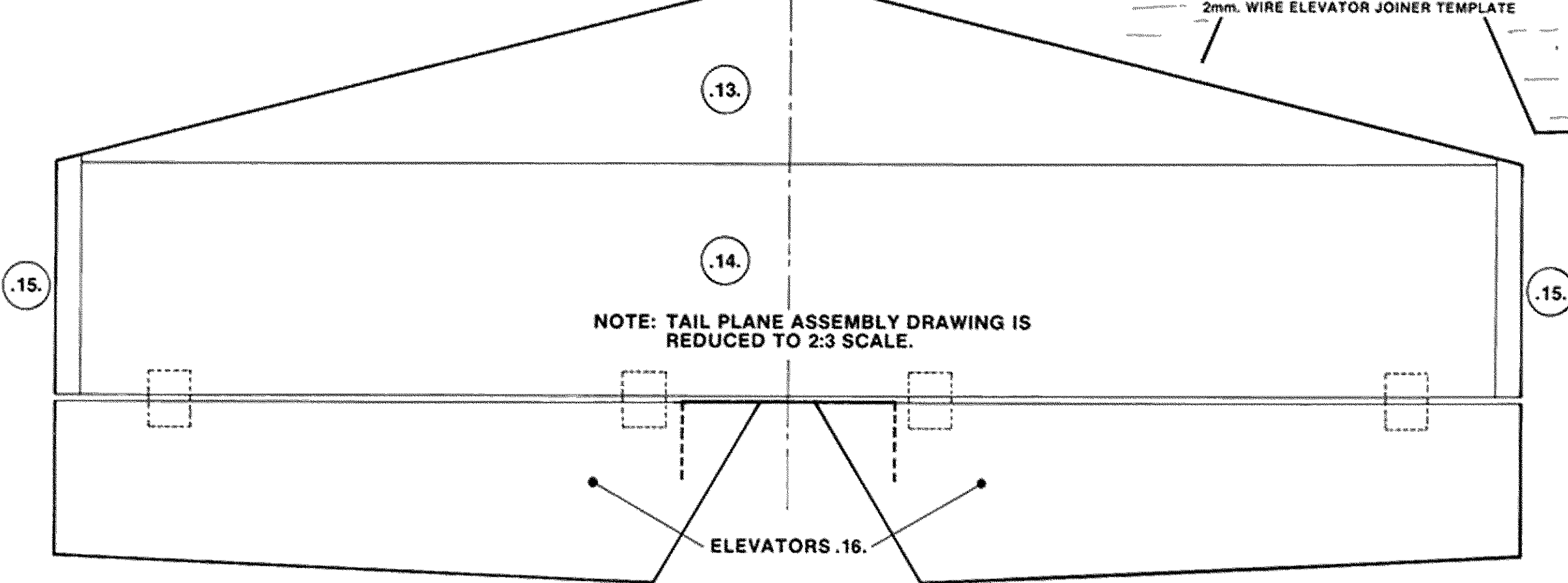
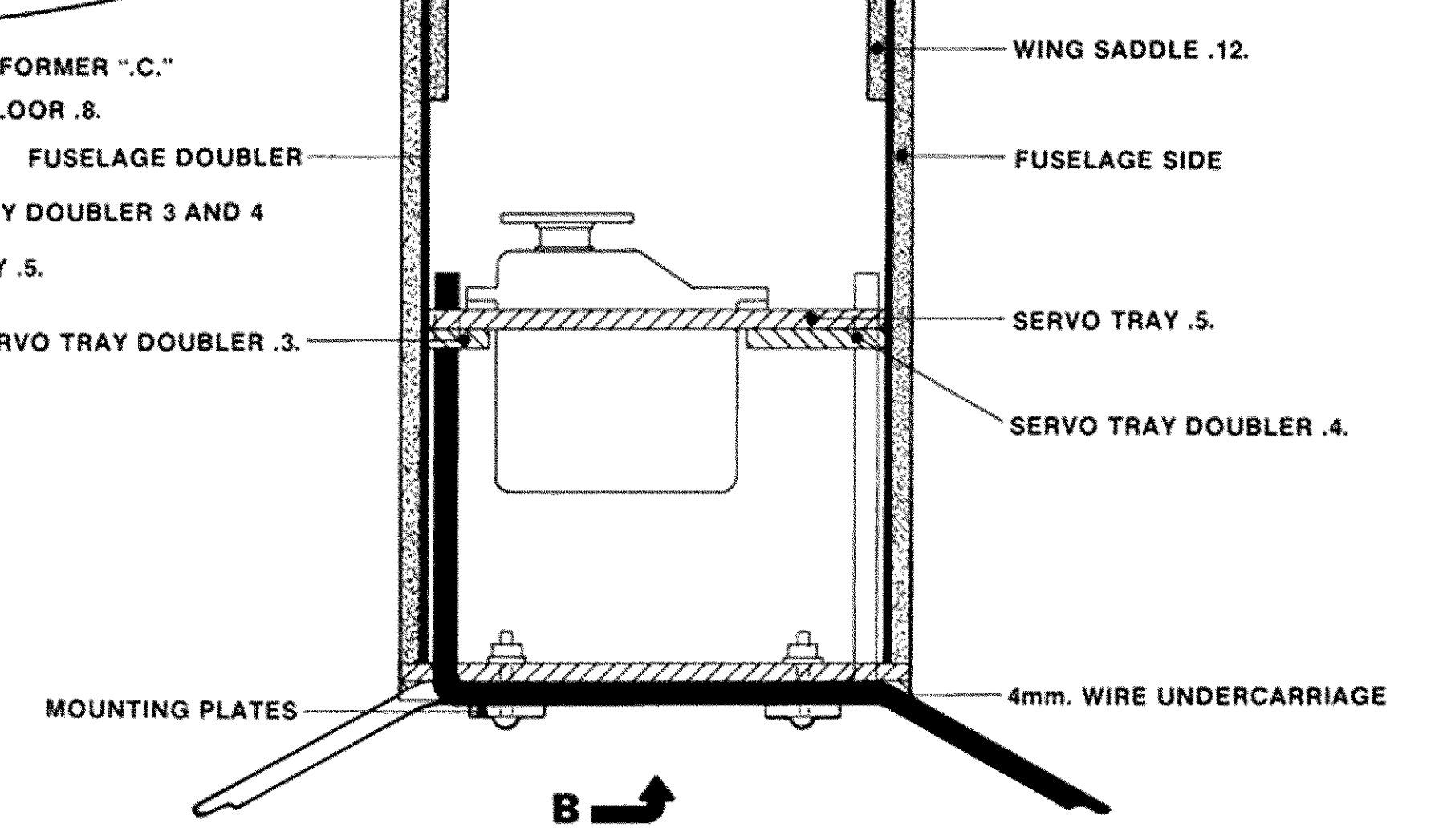


NOTE: 4 x 6mm. HOLES ALLOW FOR COUNTER-SINKING NOSE GEAR BOLTS AND WASHERS.



NOTE: IT IS RECOMMENDED THAT THE LOWER RIGHT RADIAL MOUNT NUT BE COUNTER-SUNK FLUSH WITH A2 TO SIMPLIFY NOSE WHEEL ASSEMBLY INSTALLATION.

NOTE: MAIN WHEELS LARGER THAN THE FRONT WHEELS.



AEROFlyTE APOLLO

KIT No. 195
SHEET No. 2

1510 mm WING SPAN 3 CHANNEL R/C
SPORTS TRAINER WHEN FITTED WITH .40 c.i. TO .45 c.i. ENGINES

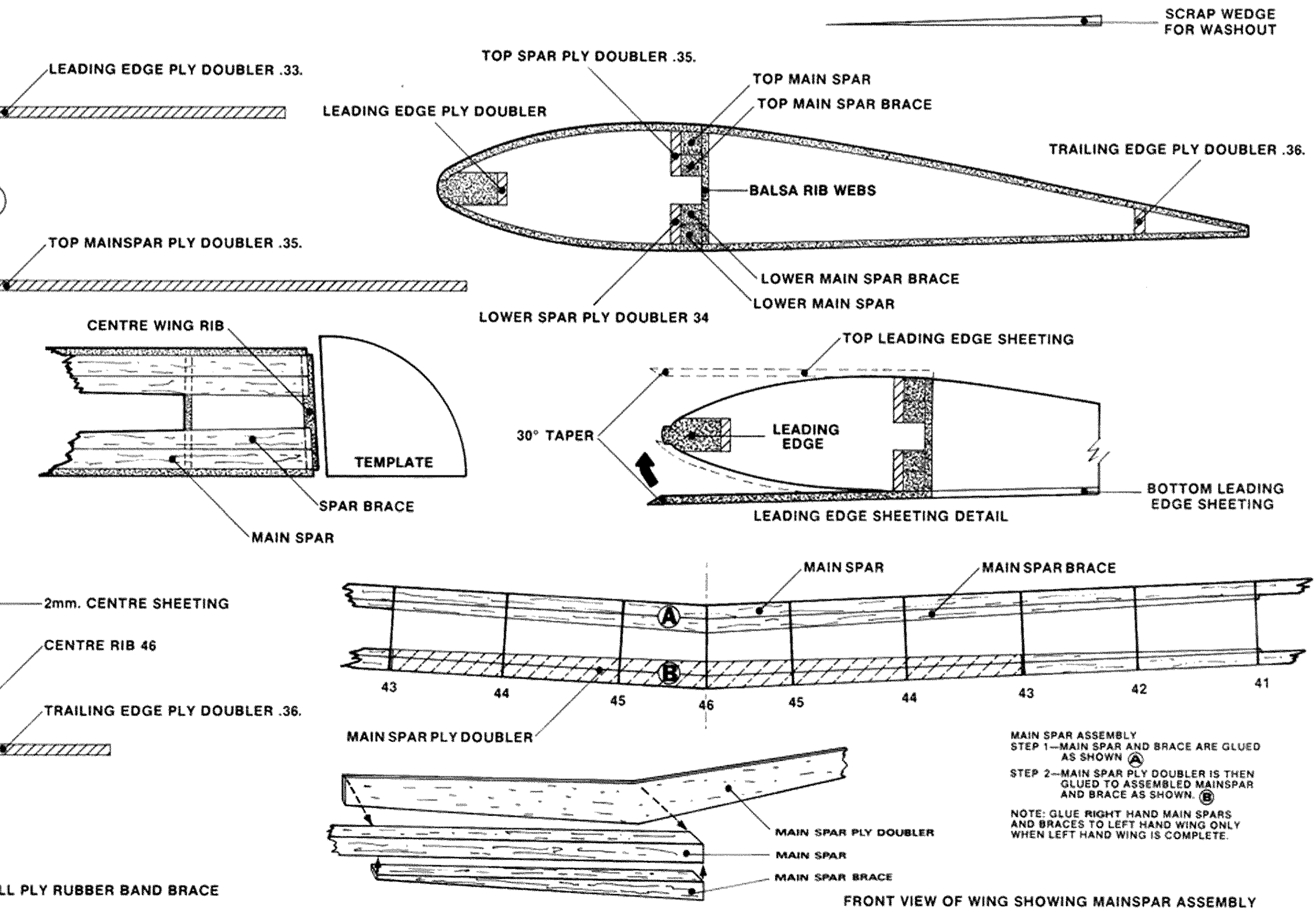
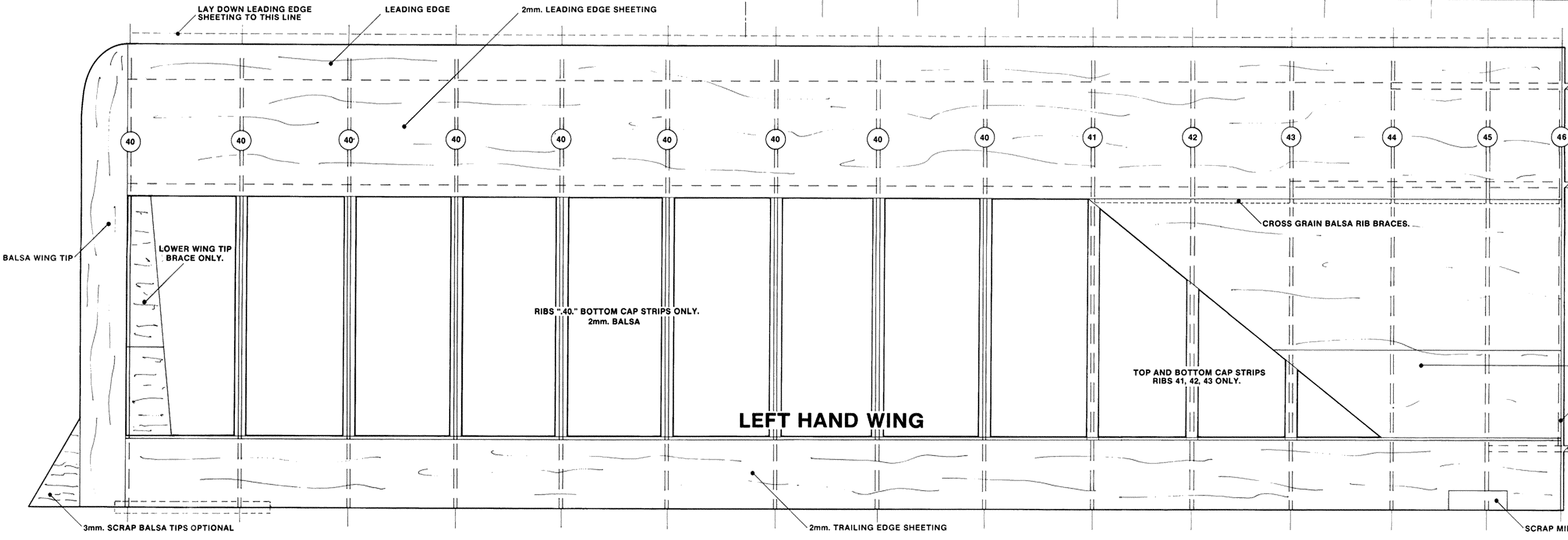
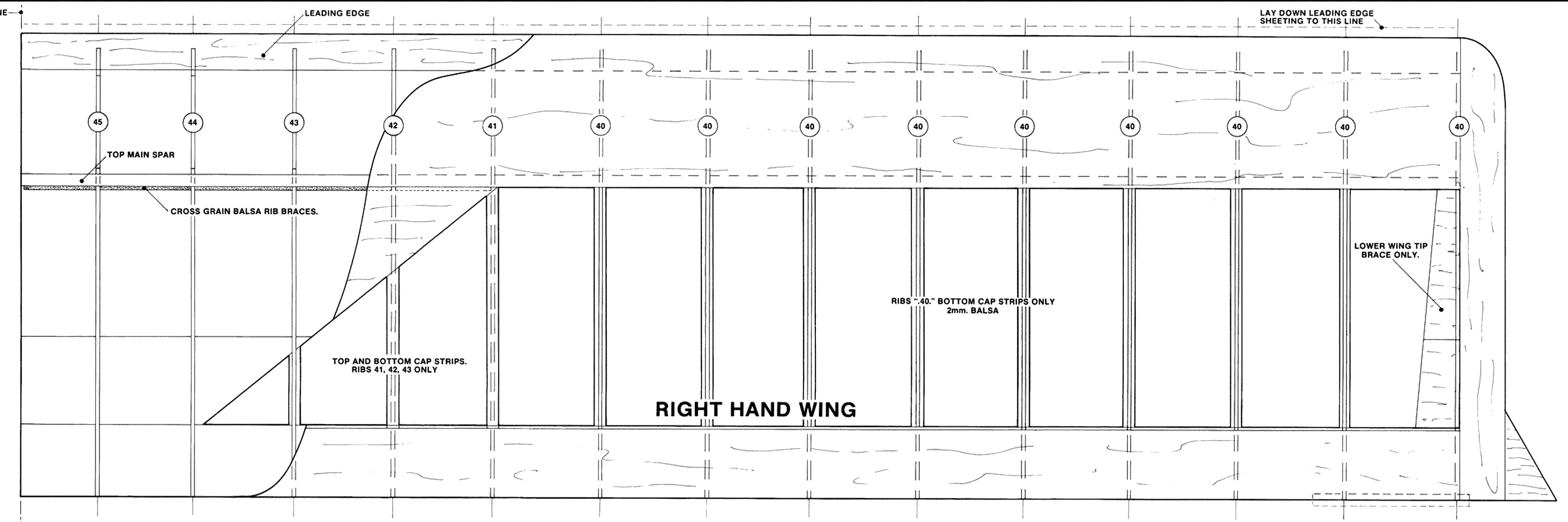
APOLLO WAS CONSTRUCTED USING:

SANWA RADIO CONTROL

AEROKOTE FILM

X-ACTO HOBBY TOOLS

O.S. ENGINE POWERED



FRONT VIEW OF WING SHOWING MAINSPAR ASSEMBLY