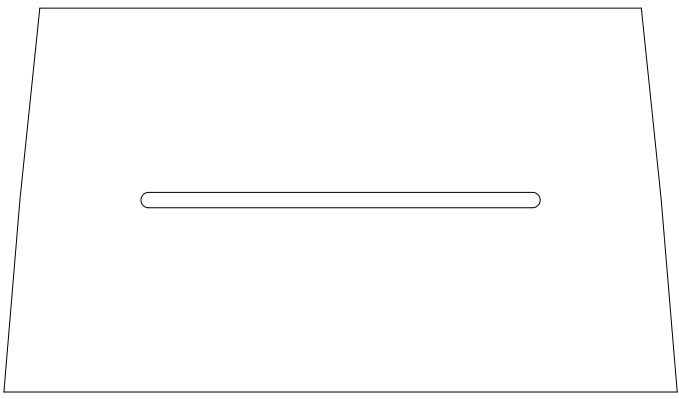
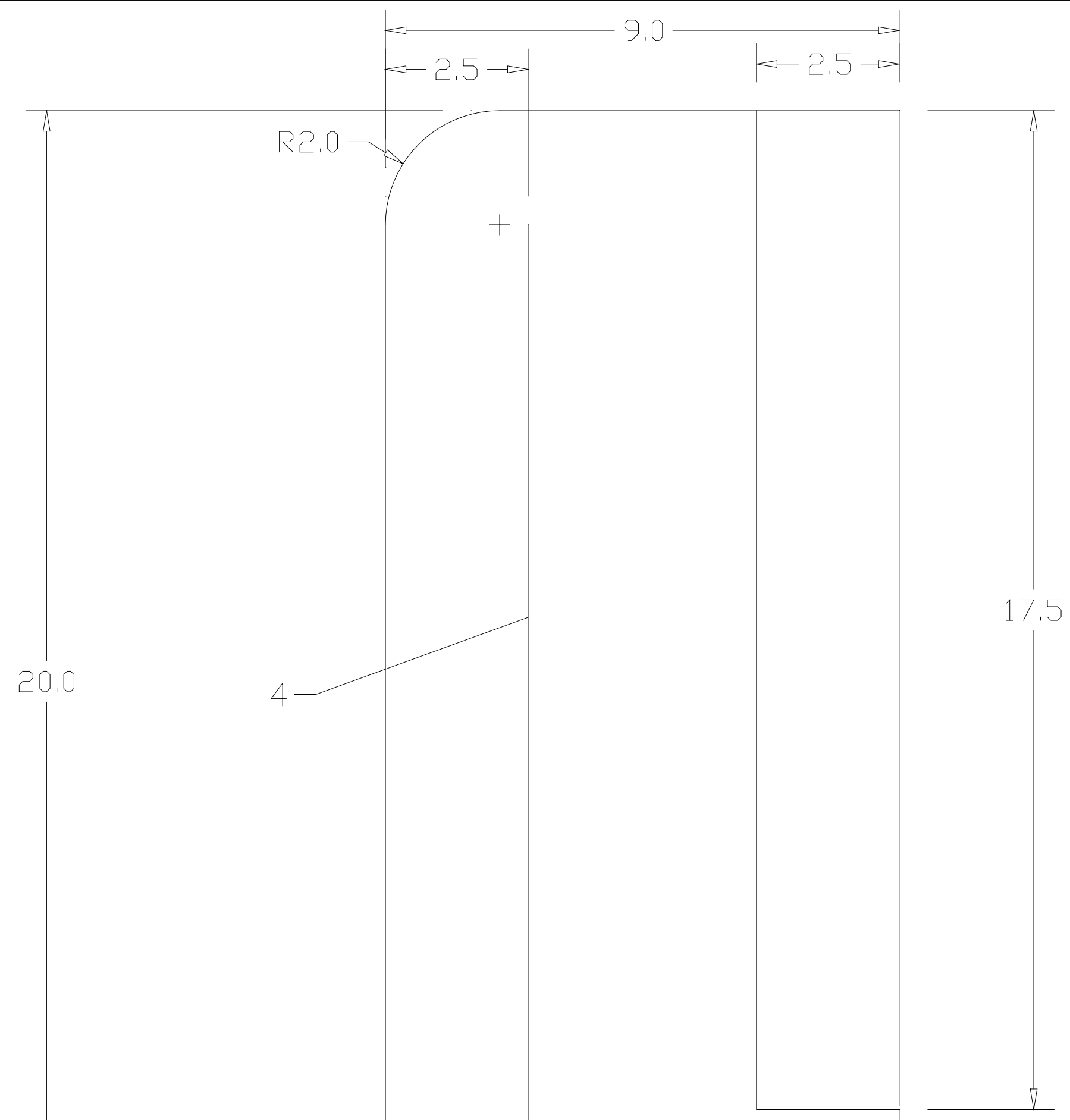


⑩ FIREWALL



⑮ LANDING GEAR PLYWOOD PLATE



4

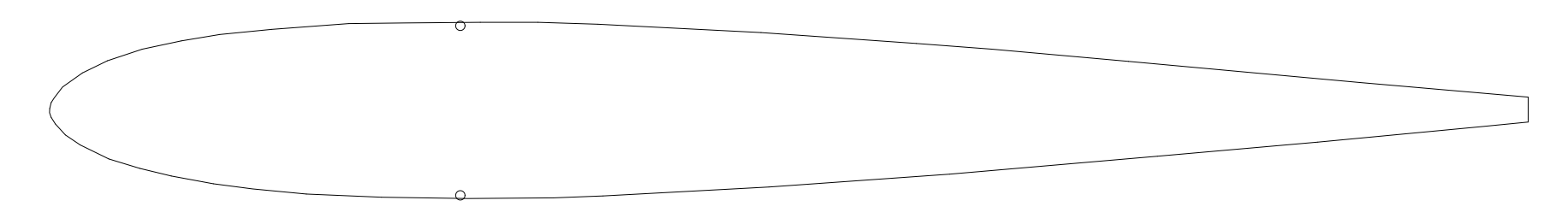


⑯ LANDING GEAR WIRE



KF AIRFOIL

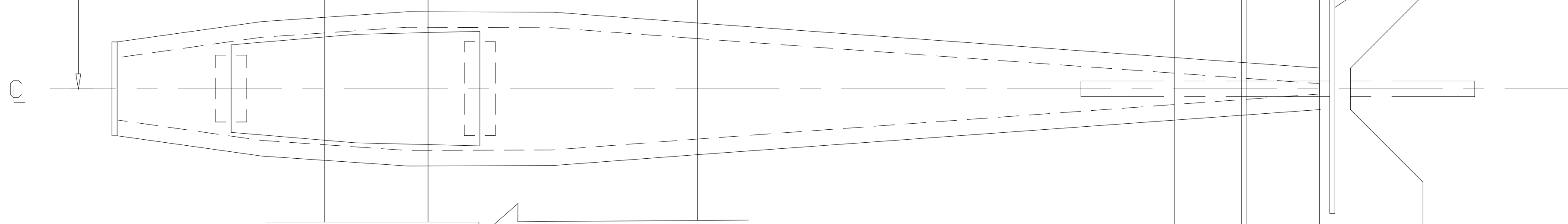
1/1 SCALE



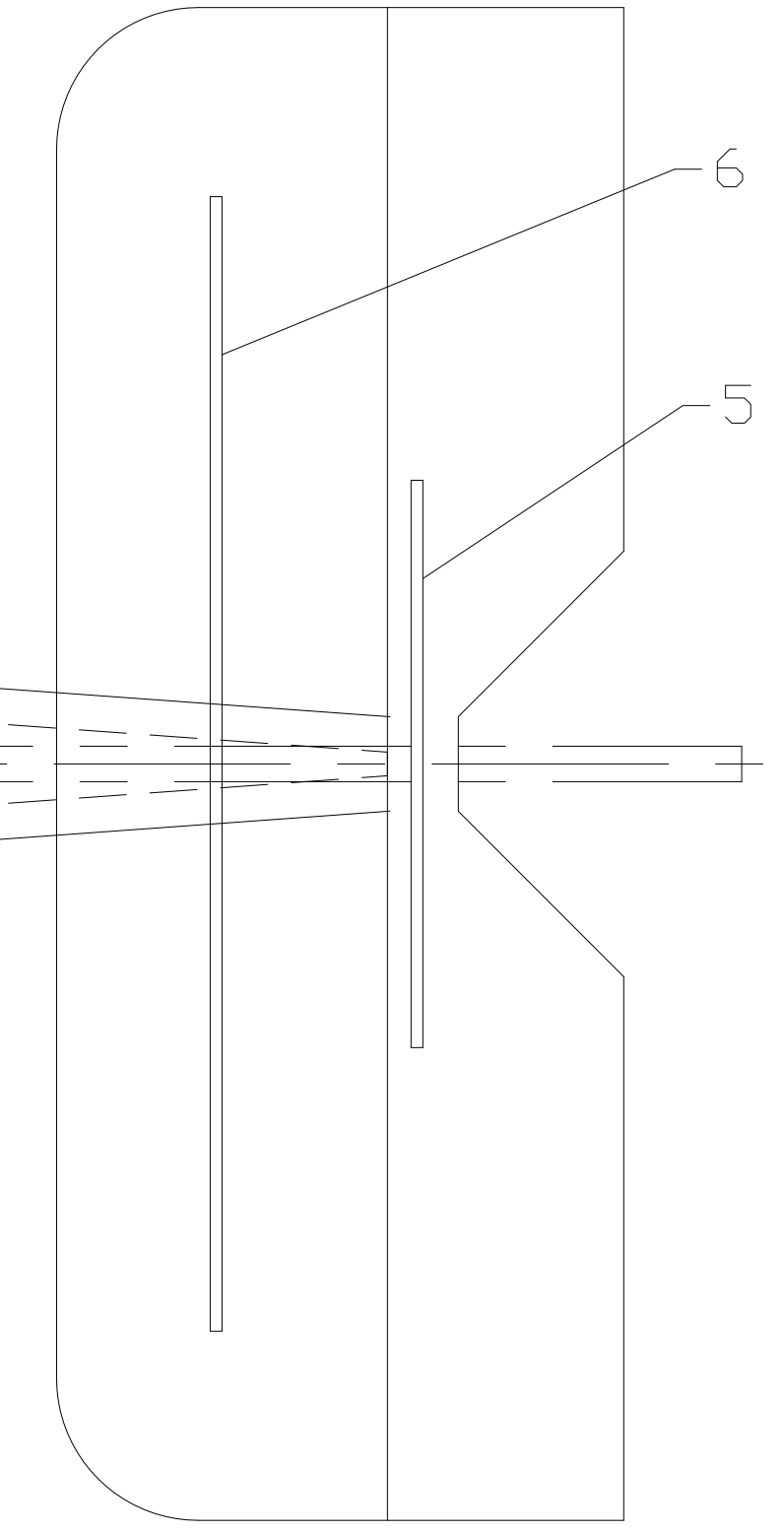
S9032 AIRFOIL

1/1 SCALE

- NOTES:
1. HATCH TO BE CUT AFTER TOP IS GLUED ON.
 2. TABS ARE INSTALLED ON HATCH AFTER IT IS CUT OUT.
 3. 45° BEVEL.
 4. 1.5mm X 36" CARBON ROD.
 5. 3mm X 6" CARBON TUBE.
 6. 3MM X 12" CARBON TUBE.
 7. 1/8" PLYWOOD



1/2 SCALE



6

5



4

| ITEM | QTY | DESCRIPTION |
|------|-----|----------------------------|
| ⑯ | 1 | .1875" DIA. WIRE ~15" LONG |
| ⑮ | 1 | 1/8" PLYWOOD GEAR PLATE |
| ⑭ | 2 | LANDING GEAR FOAM BLOCK |
| ⑬ | 1 | AFT TAB |
| ⑫ | 1 | FWD TAB |
| ⑪ | 1 | BATTERY HATCH |
| ⑩ | 1 | FIREWALL |
| ⑨ | 1 | CANOPY |
| ⑧ | 1 | TAIL SKID |
| ⑦ | 1 | RUDDER |
| ⑥ | 1 | VERTICAL STABILIZER |
| ⑤ | 1 | HORIZONTAL STABILIZER |
| ④ | 1 | BOTTOM PANEL |
| ③ | 1 | TOP PANEL |
| ② | 2 | SIDE PANEL |
| ① | 2 | WING PANEL |



6" SCALE

QUICK STICK
 MIDWESTFOAMPLANES.COM
 DESIGN BY: LEADFEATHER
 WINGSPAN= 40"
 LENGTH= 31"
 WEIGHT= 7 - 10 OZ.
 FOAM= 1.3 LB EPP

