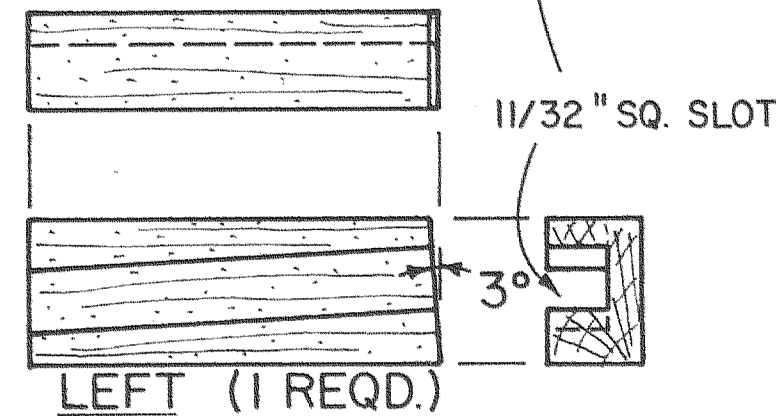
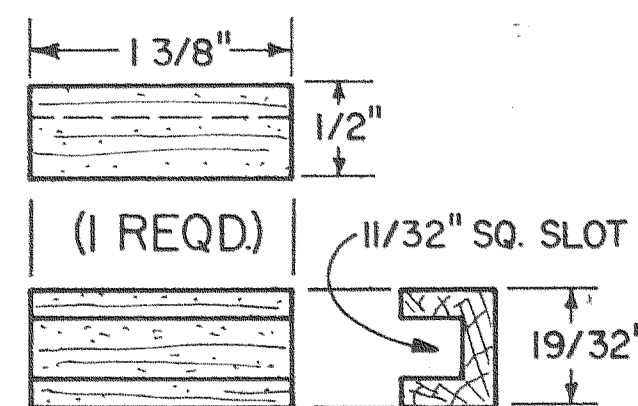


RIGHT (1 REQD.)

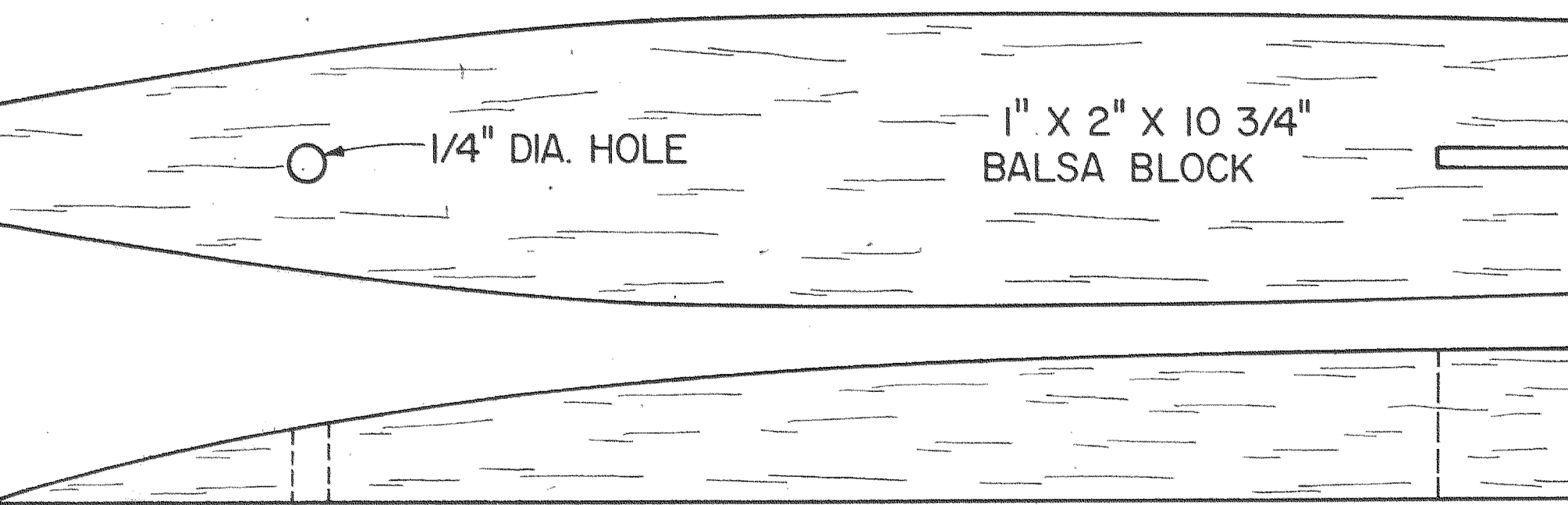


LEFT (1 REQD.)

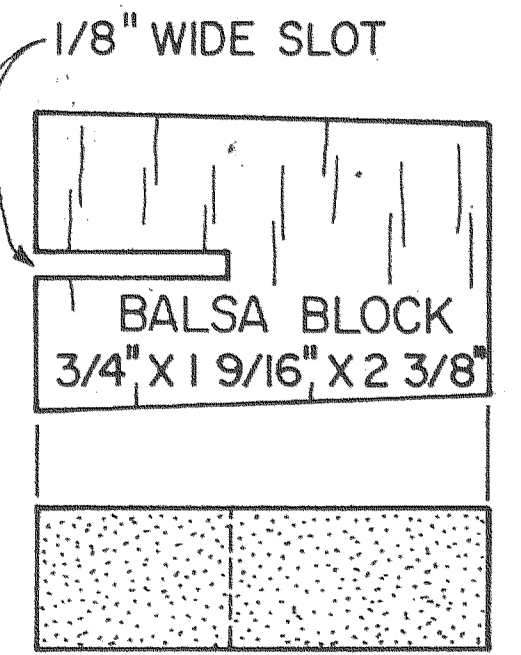
PINE TUBE CARRIER BLOCKS



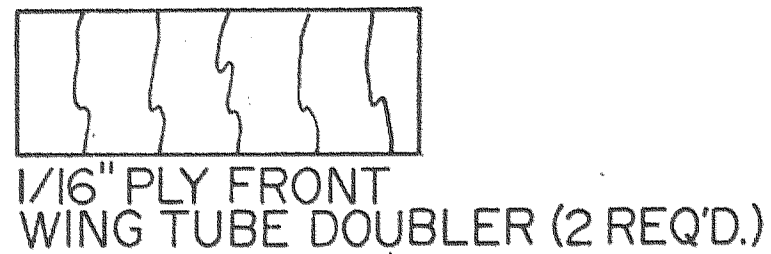
PINE TUBE CARRIER BLOCK (FUSELAGE)



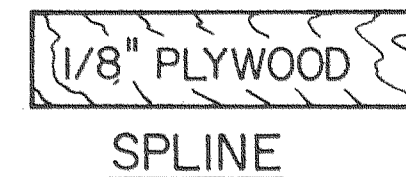
FRONT HATCH BLOCK



REAR HATCH BLOCK



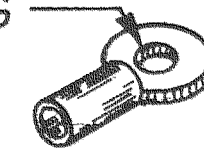
1/16" PLY FRONT WING TUBE DOUBLER (2 REQ'D.)



SPLINE

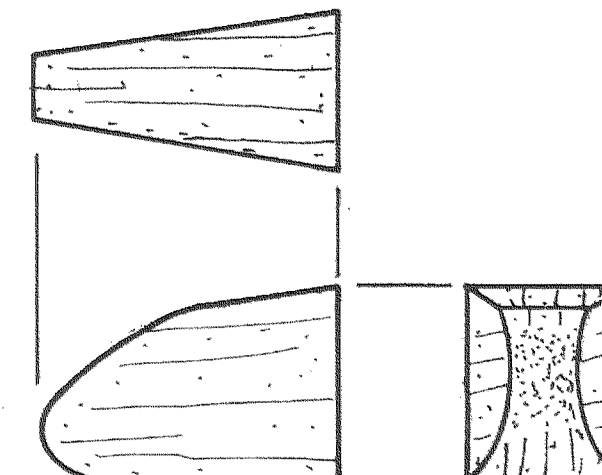
USE SOLDER TYPE ELECT. CONNECTOR

BORE EXISTING HOLE, OUT TO 3/32" I.D.

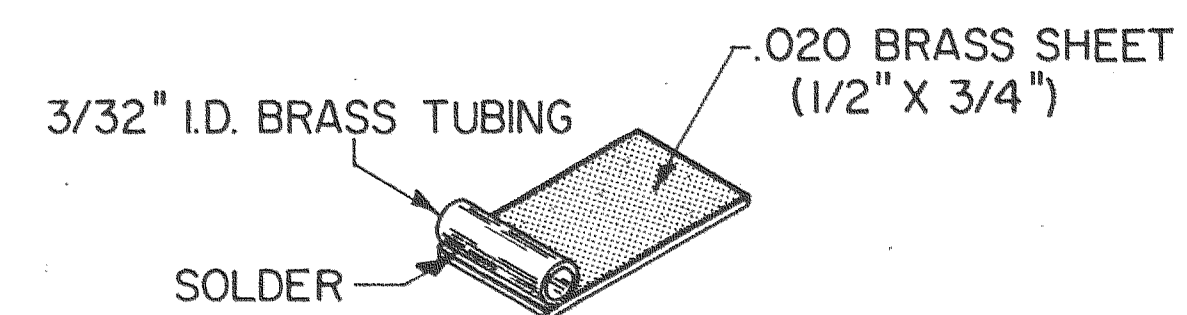


STABILATOR DRIVE FITTING DETAIL

NO SCALE

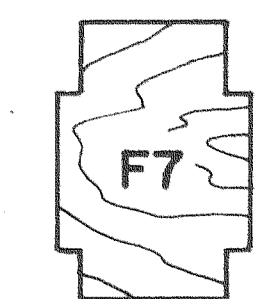
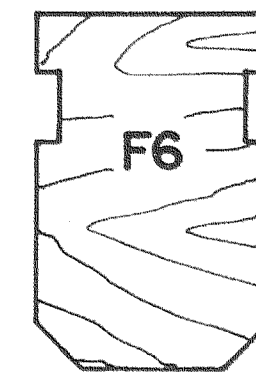
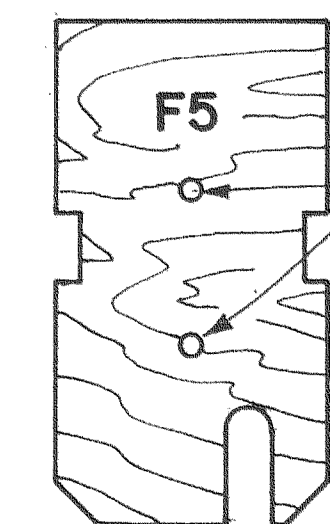
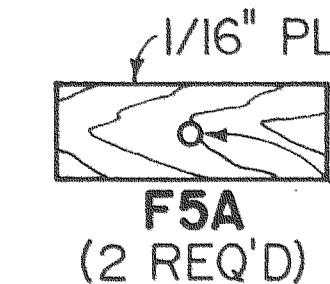
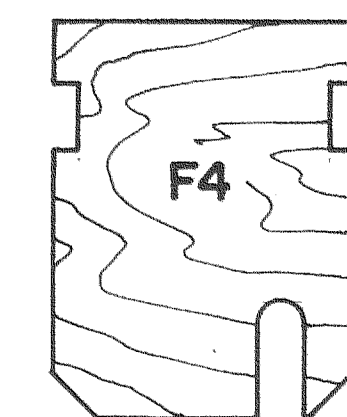
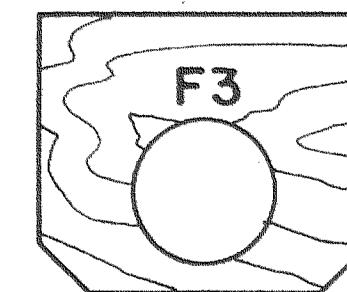
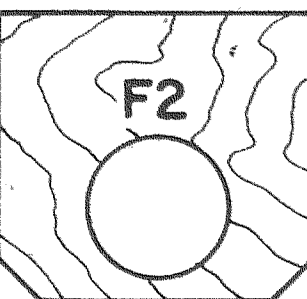
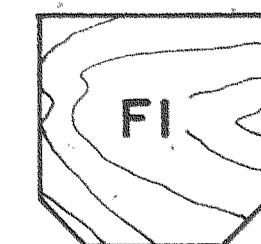


PINE NOSE BLOCK

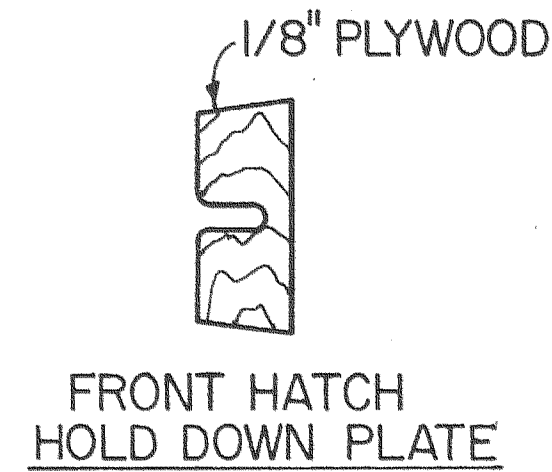


SPOILER HORN (2 REQD.)

NO SCALE

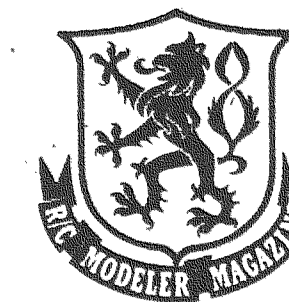


1/8" DIA. HOLES



FRONT HATCH HOLD DOWN PLATE

NOTE: ALL FUSELAGE FORMERS ARE 1/8" PLYWOOD UNLESS NOTED OTHERWISE.



TEMPLATE SHEET

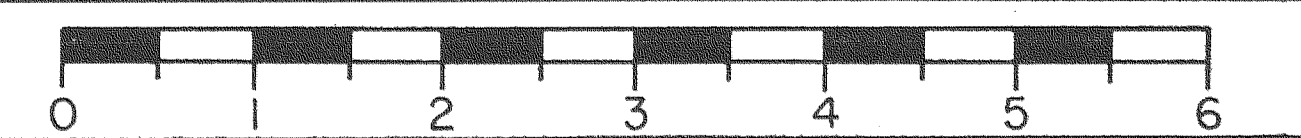
© RCM ALL COMMERCIAL RIGHTS RESERVED

SAGITTA 900

DESIGNED BY LEE RENAUD

DRAWN BY TIM RENAUD

PLANS BY Bob Wallace



NOTE: ALL WING RIBS ARE 3/32" SHEET Balsa UNLESS NOTED OTHERWISE.