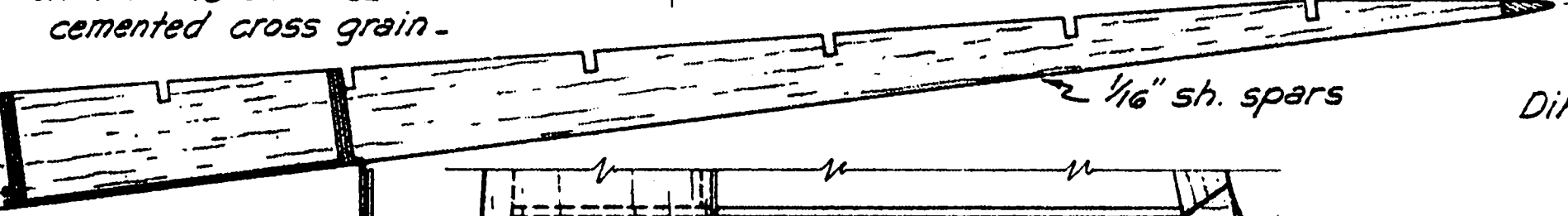
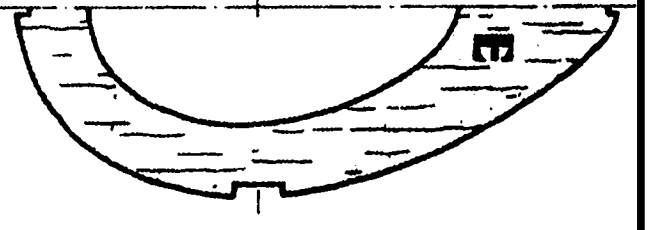
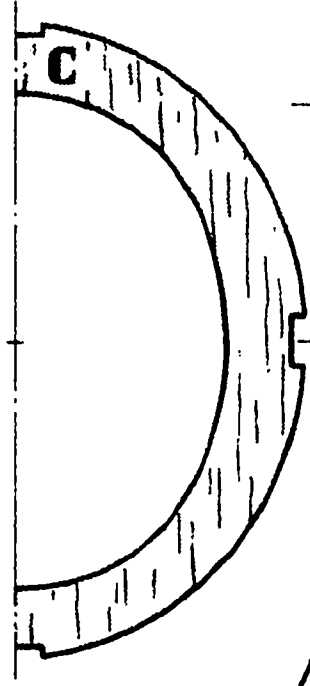
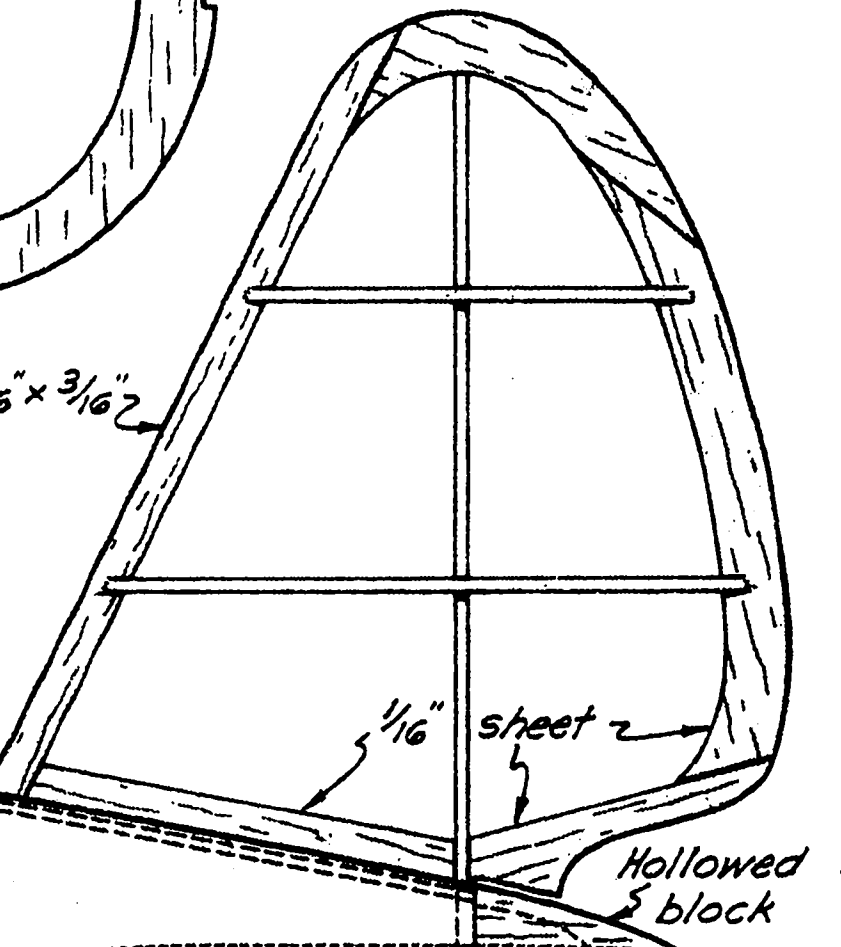


Formers - 1/16" sh. + 1/32" sh. cemented cross grain.



Dihedral

1/16" x 3/16"



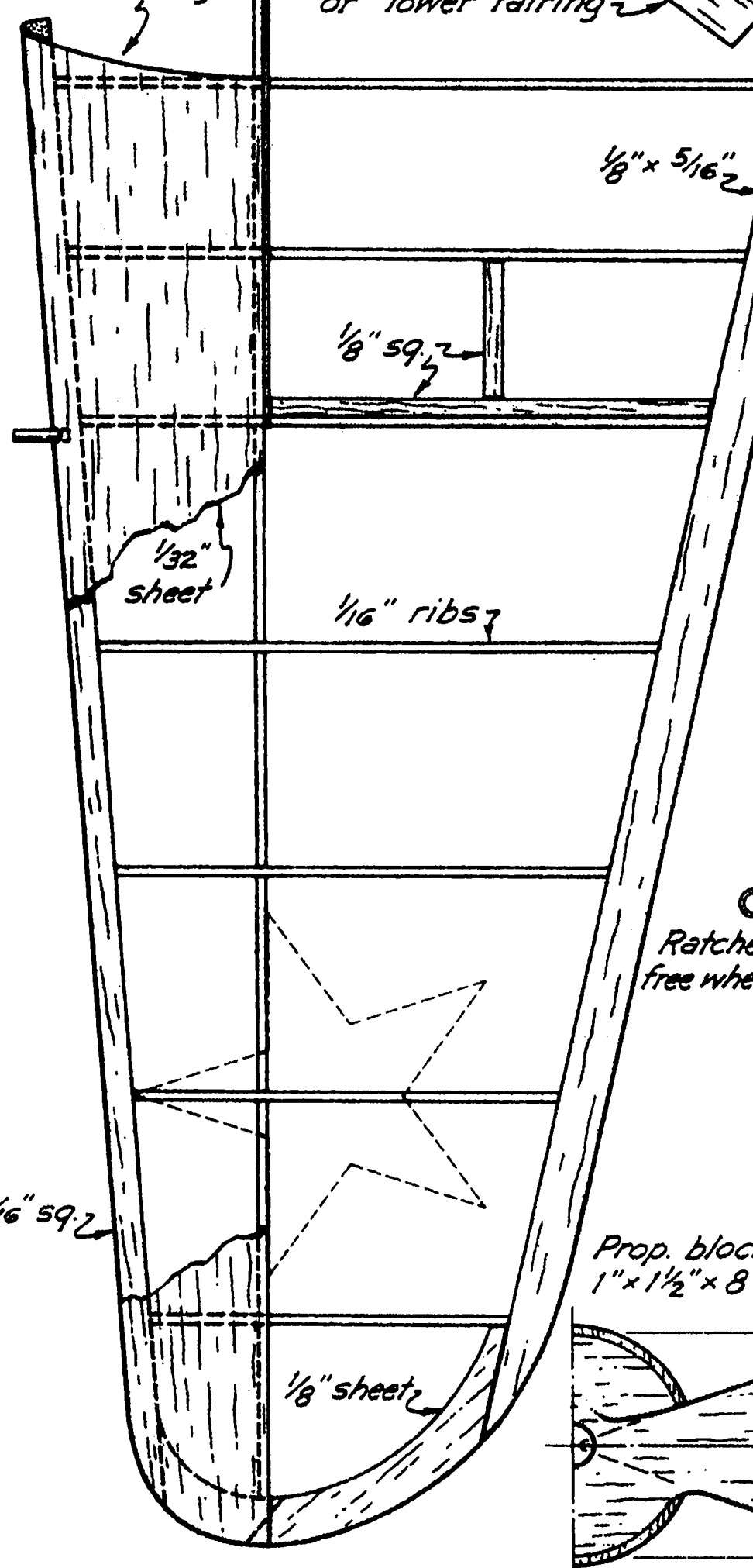
Hollowed block

Fit to fuselage

Approx. shape of lower fairing

1/8" x 5/16"

Alum. tube



1/8" sq.

1/16" ribs

1/32" sheet

3/16" sq.

1/8" sheet

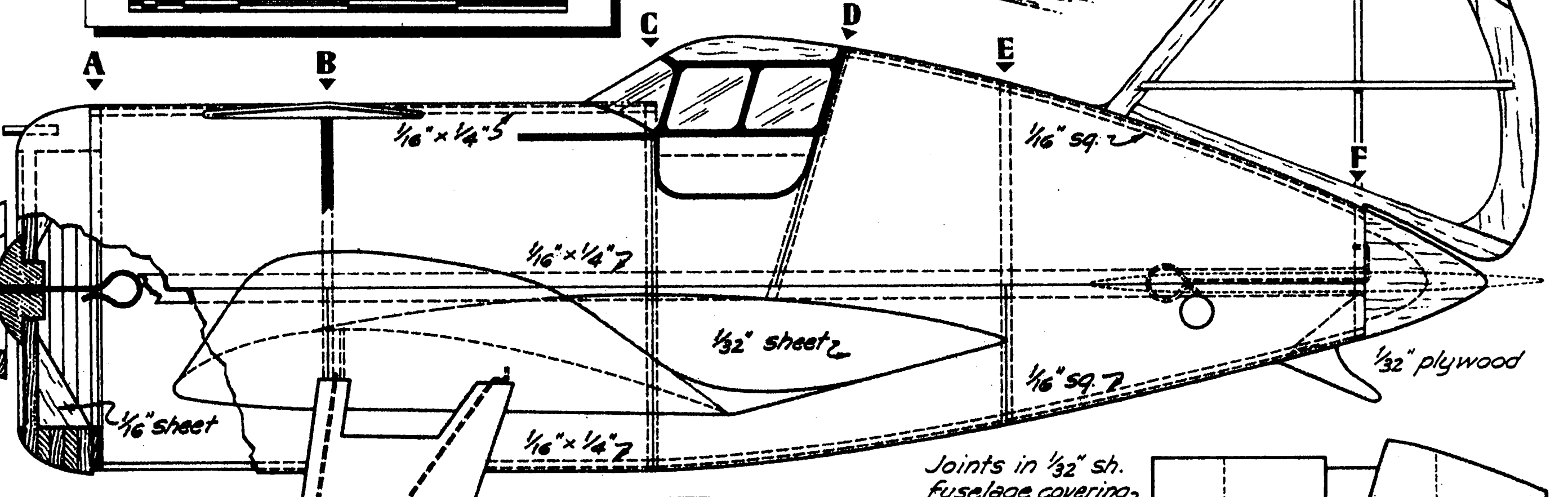
Prop. block 1" x 1 1/2" x 8"

Ratchet free wheel



Cockpit top is balsa-silver

Tail group const.



1/16" x 1/4" x 5"

1/16" x 1/4" x 7"

1/32" sheet

1/16" sq.

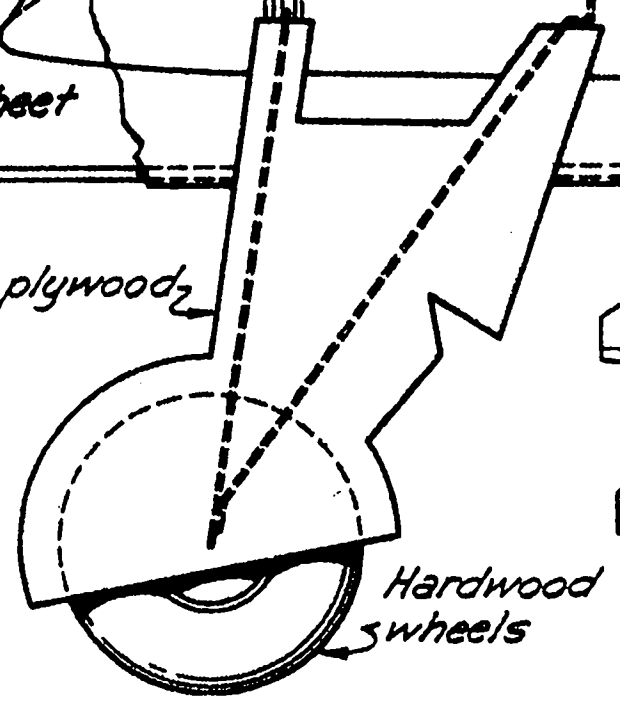
1/16" sq.

1/32" plywood

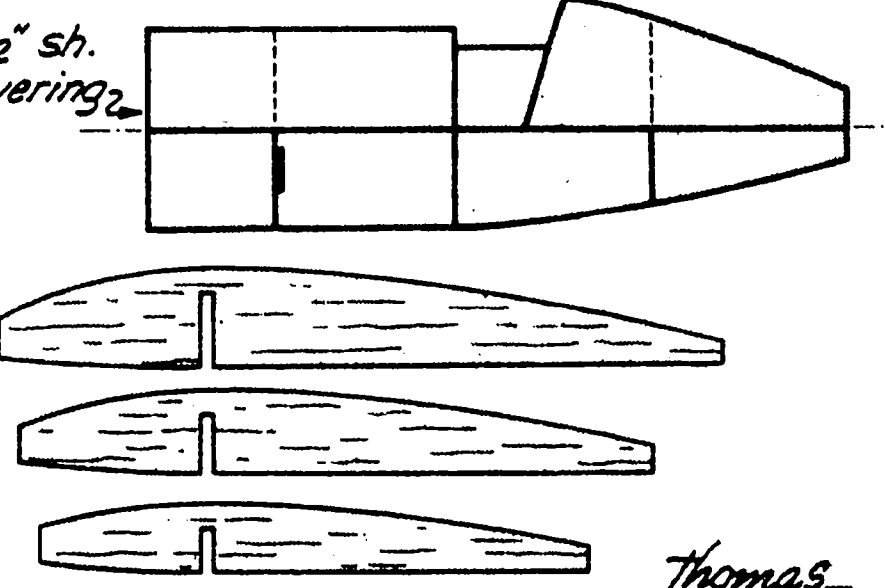
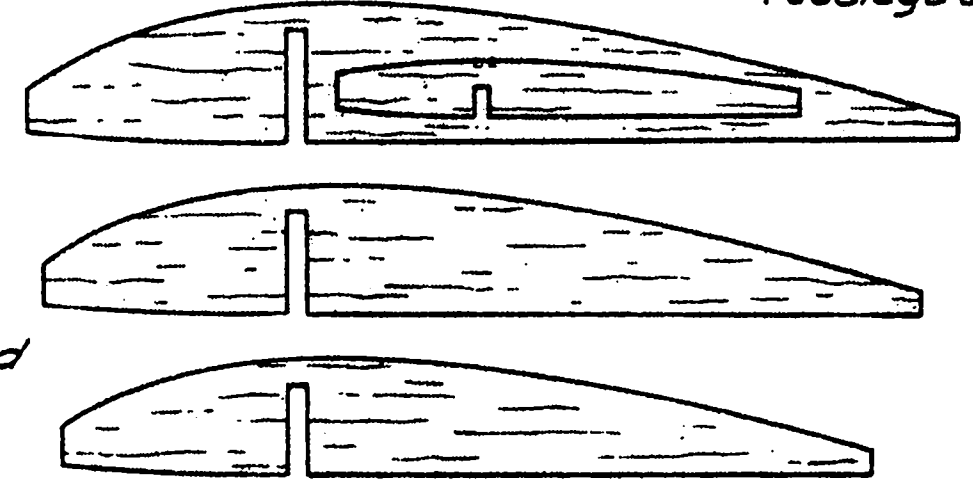
1/16" sheet

1/32" plywood

Joints in 1/32" sh. fuselage covering



Hardwood wheels



Thomas