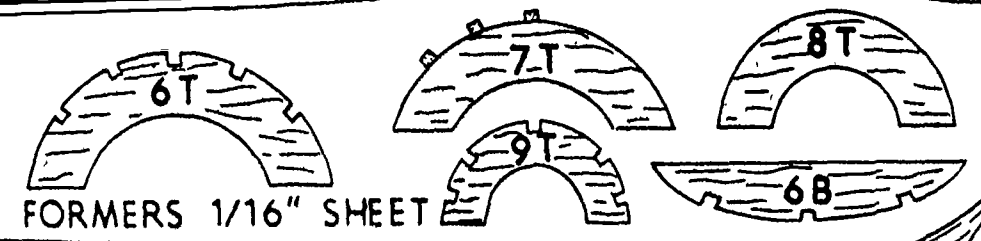
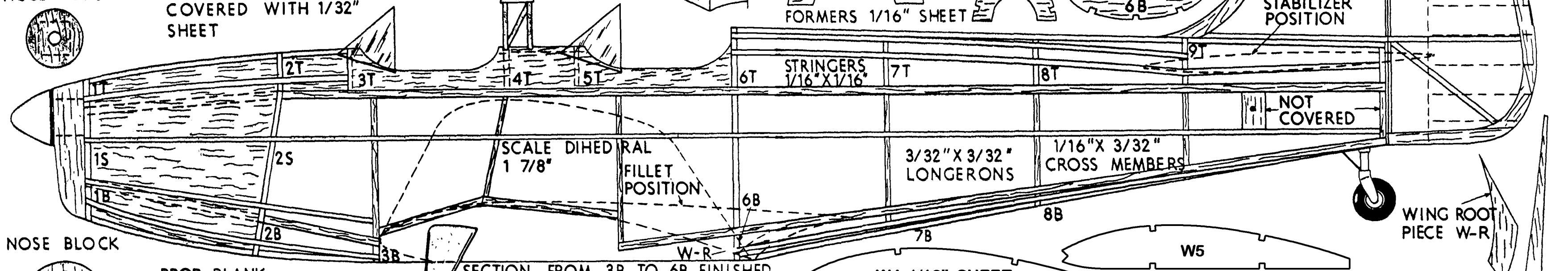


THE NOSE IS "FILLED-IN"
WITH 1/16" SHEET;
SECTION FROM 3 TO 6T
COVERED WITH 1/32"
SHEET

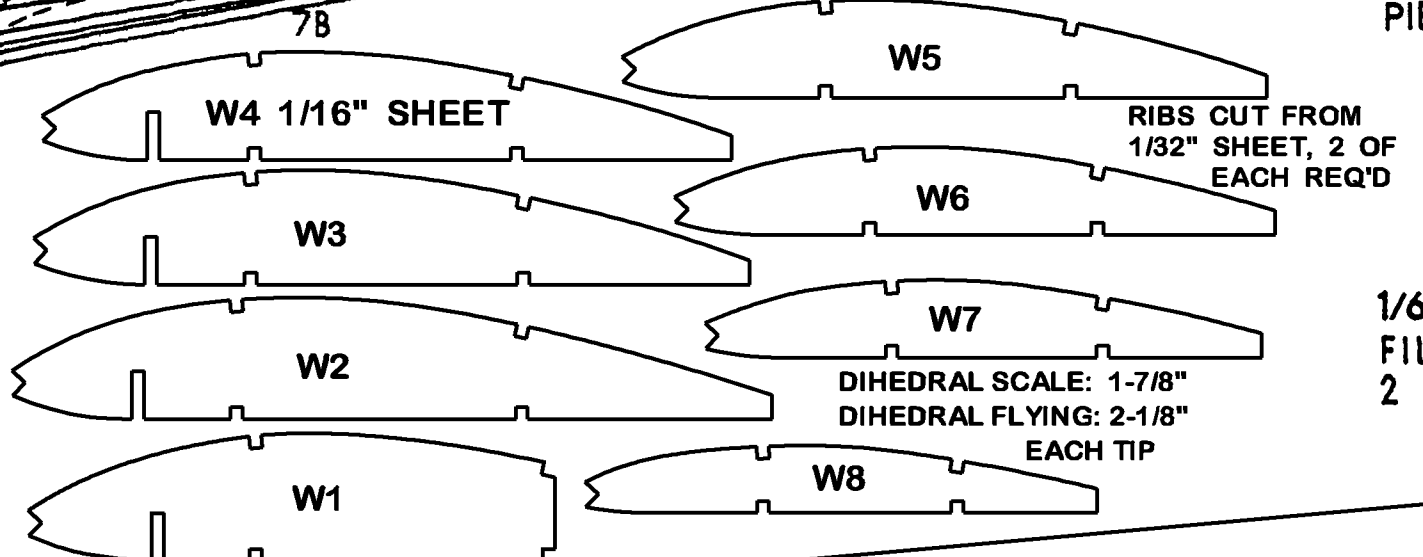
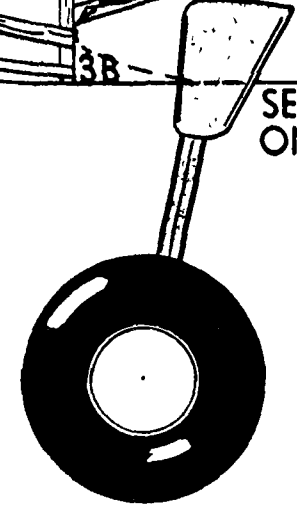
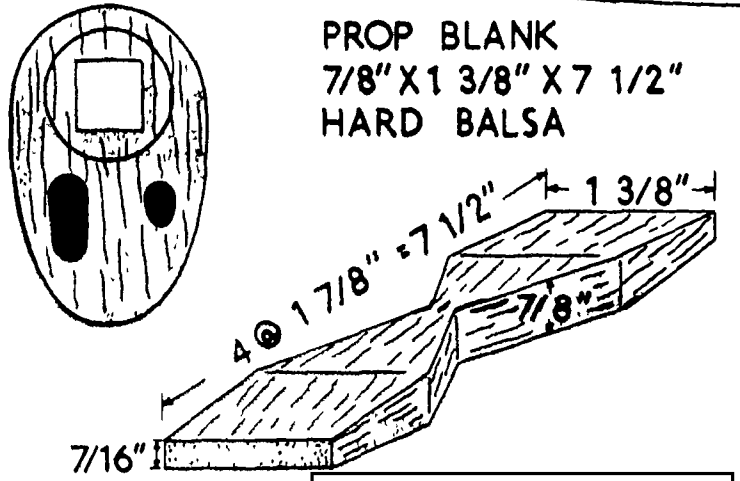


STABILIZER POSITION



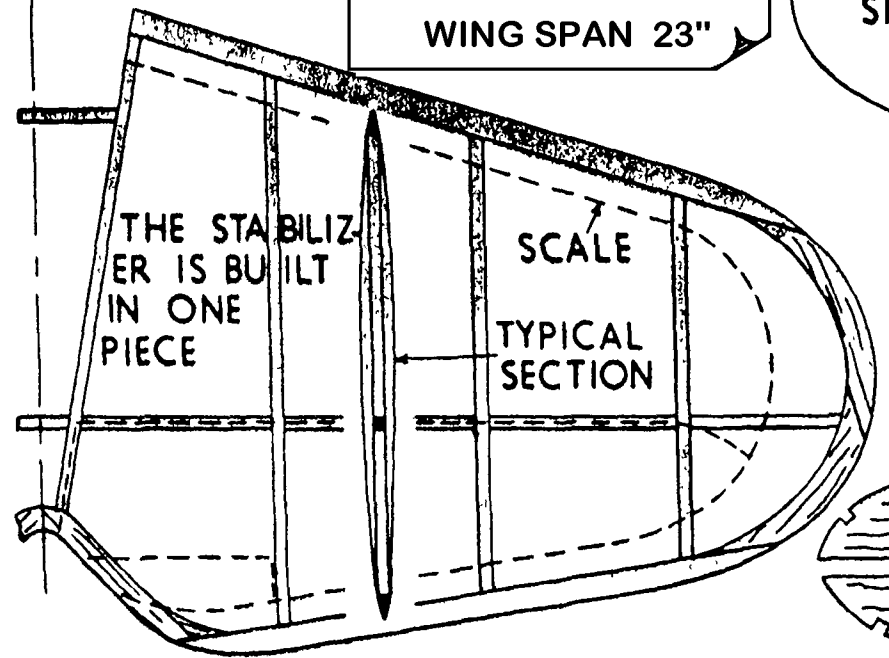
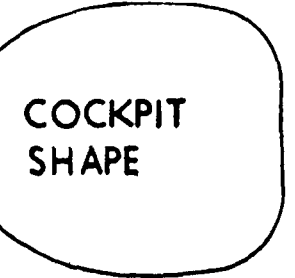
PROP BLANK
7/8" X 1 3/8" X 7 1/2"
HARD BALS

SECTION FROM 3B TO 6B FINISHED
ONCE WING IS FITTED



1/64" THICK FILLETS
2 REQ'D

FAIRCHILD PT-19
by EARL STAHL
WING SPAN 23"



FORMERS CUT FROM 1/16" SHEET

