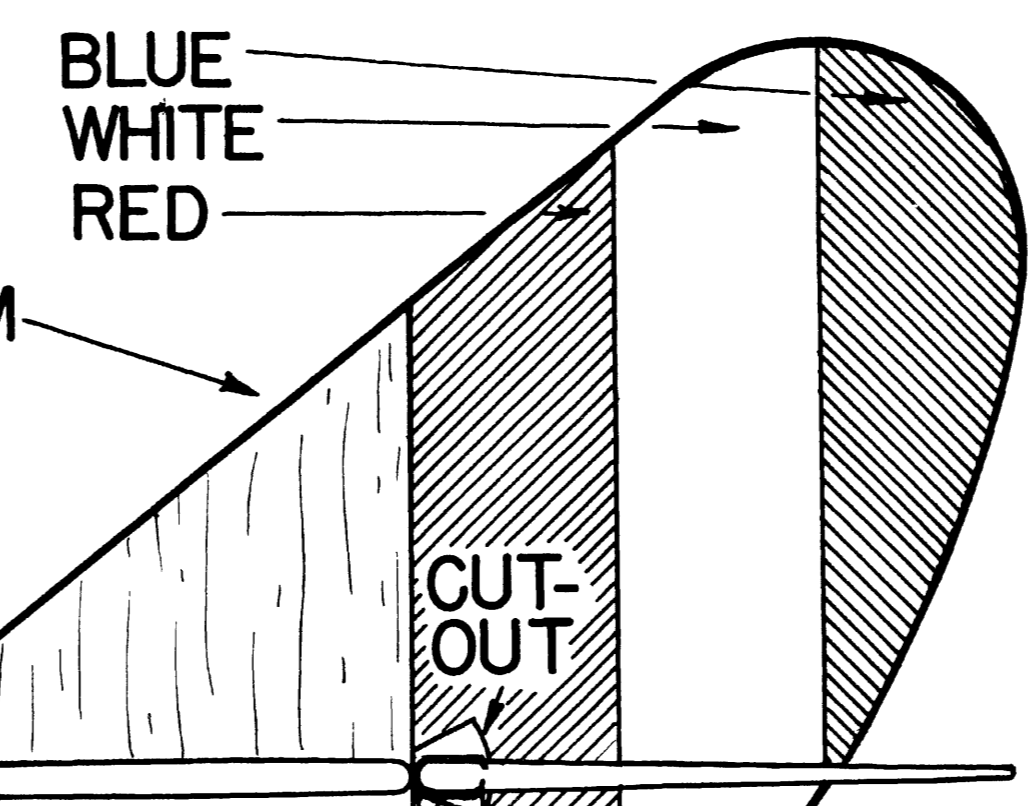
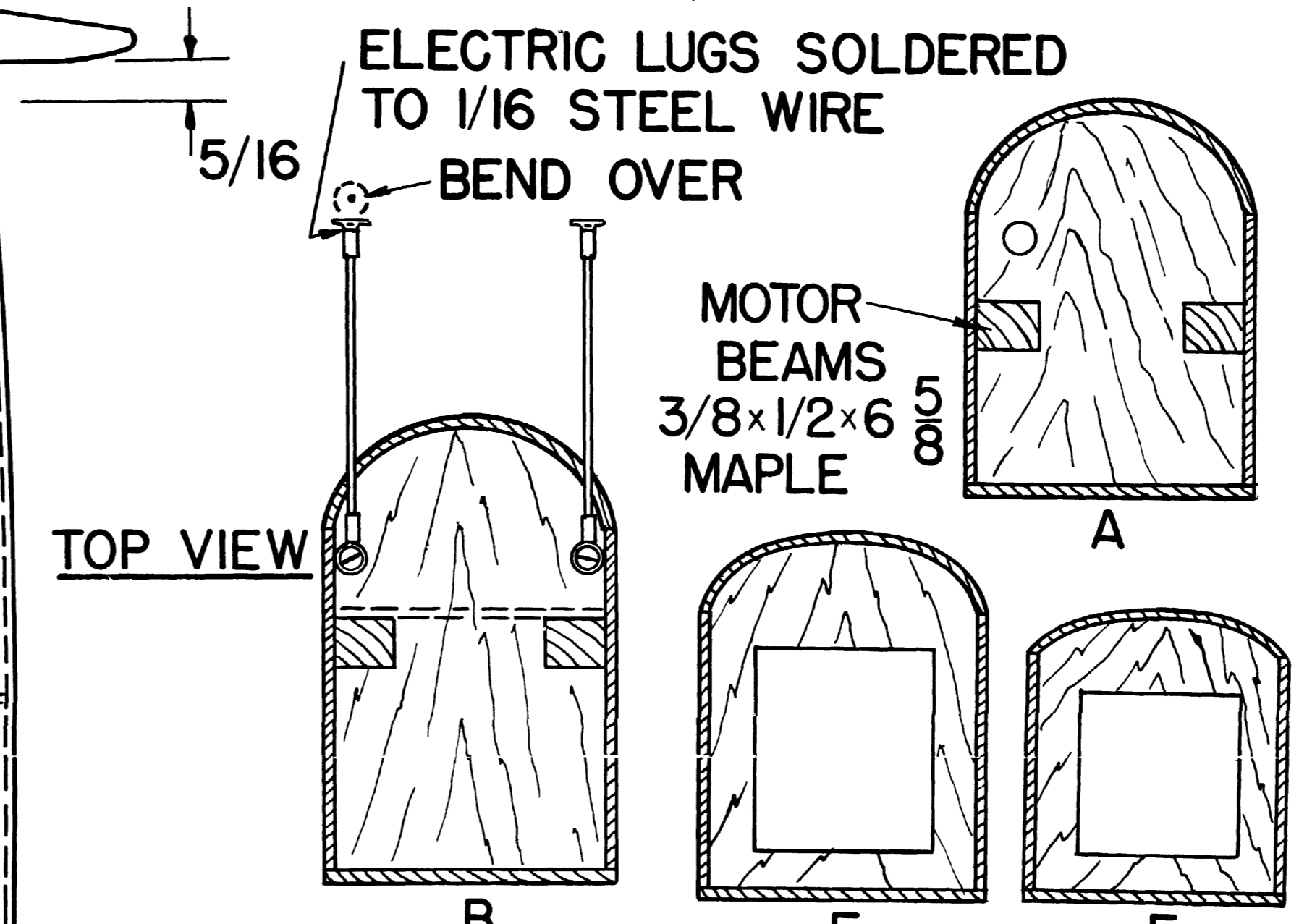
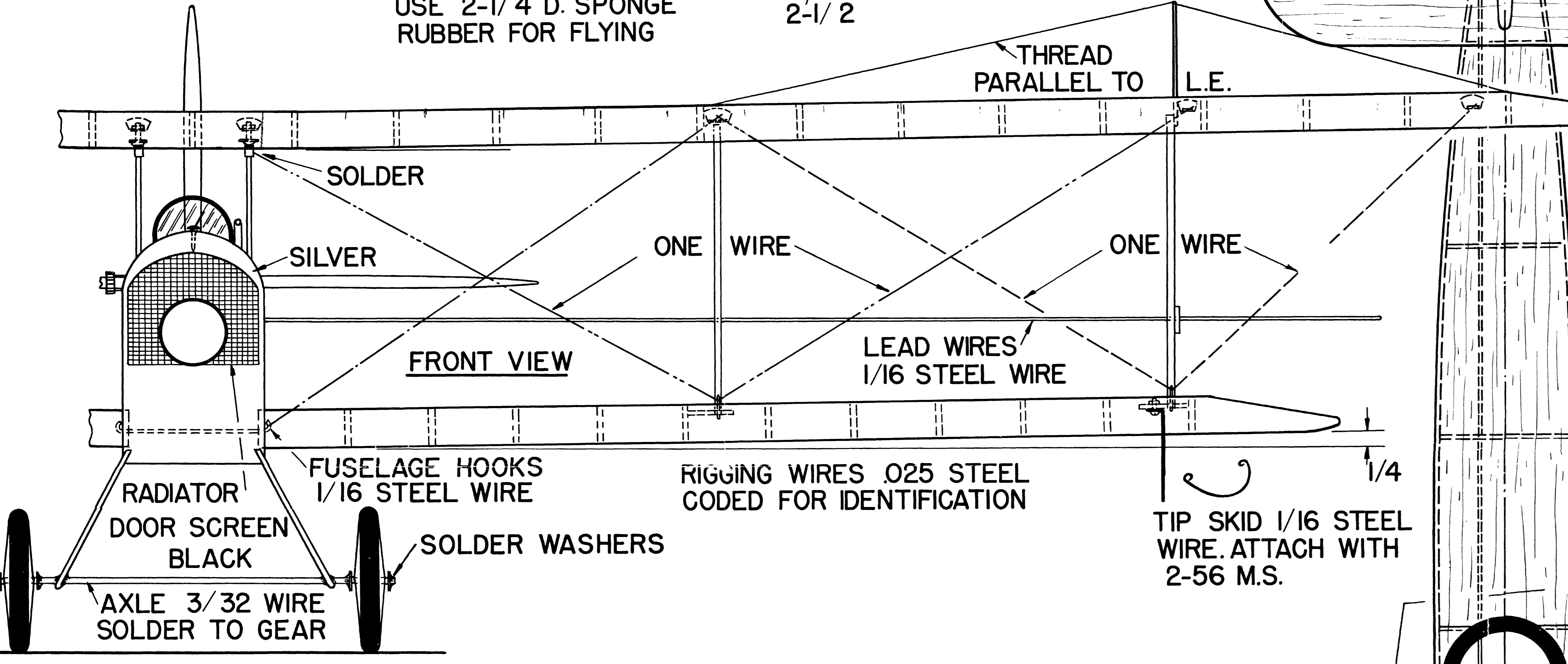
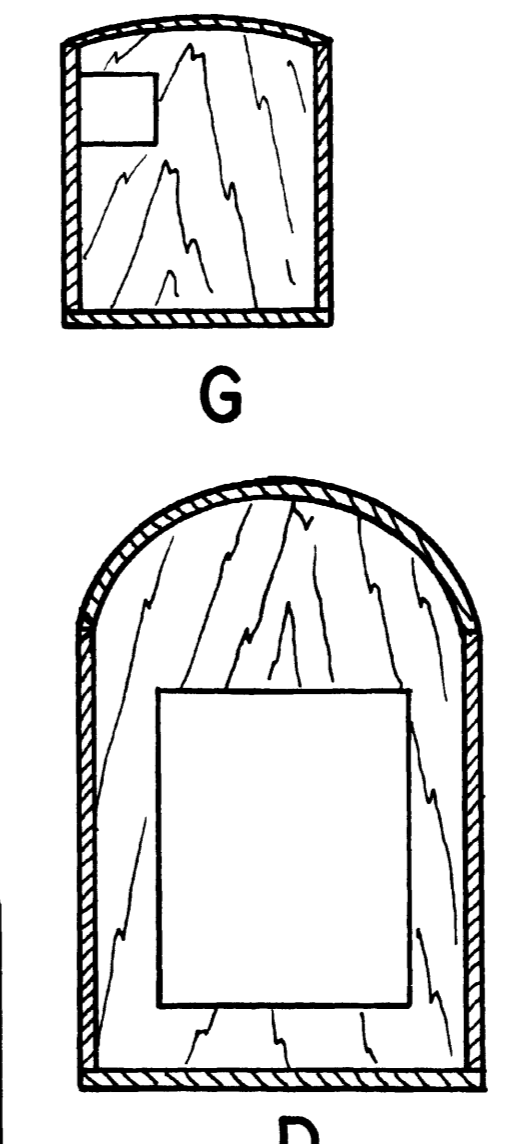
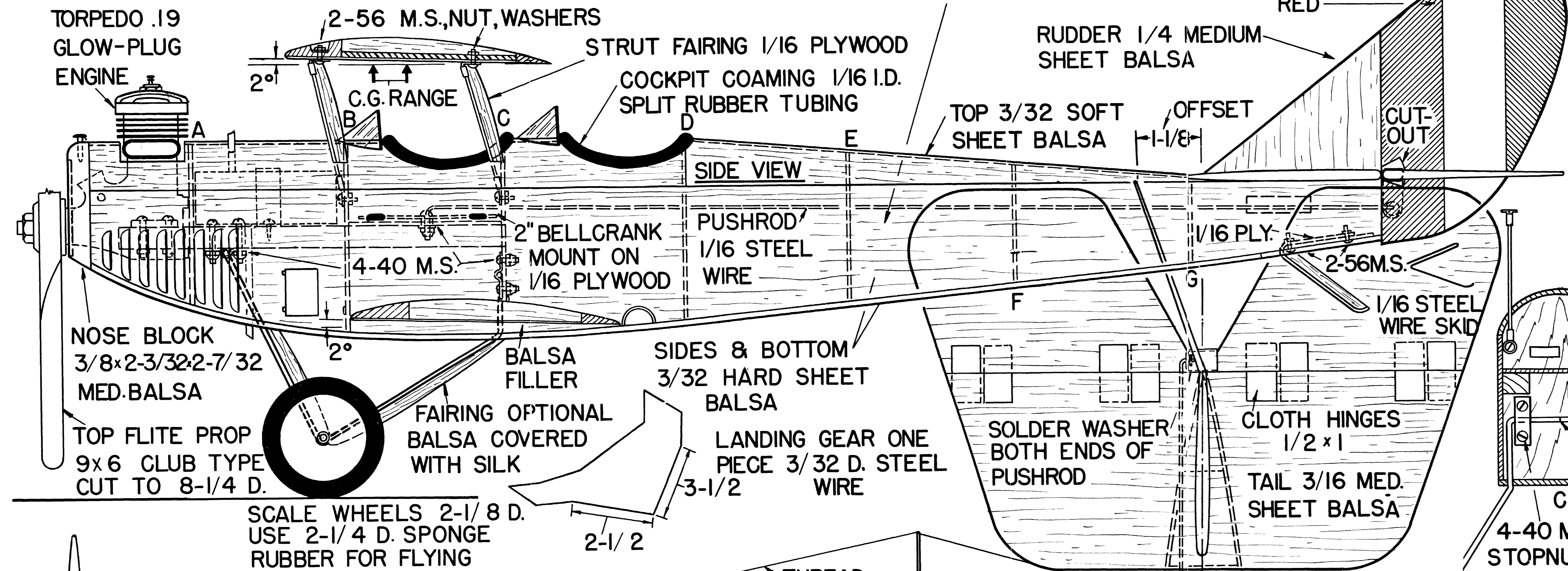


NOTE: USE .29-36 IF ANY OTHER ENGINE IS INSTALLED

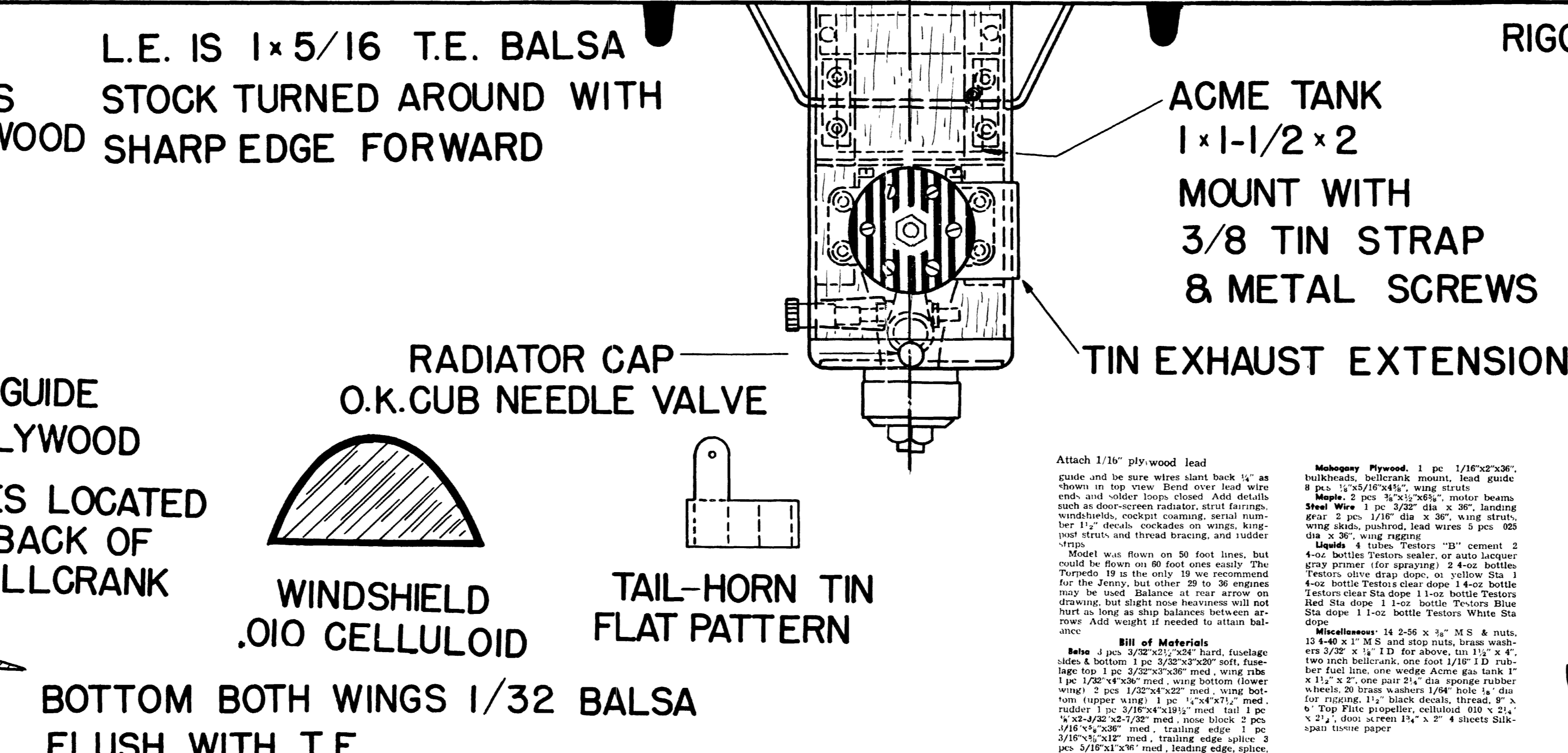
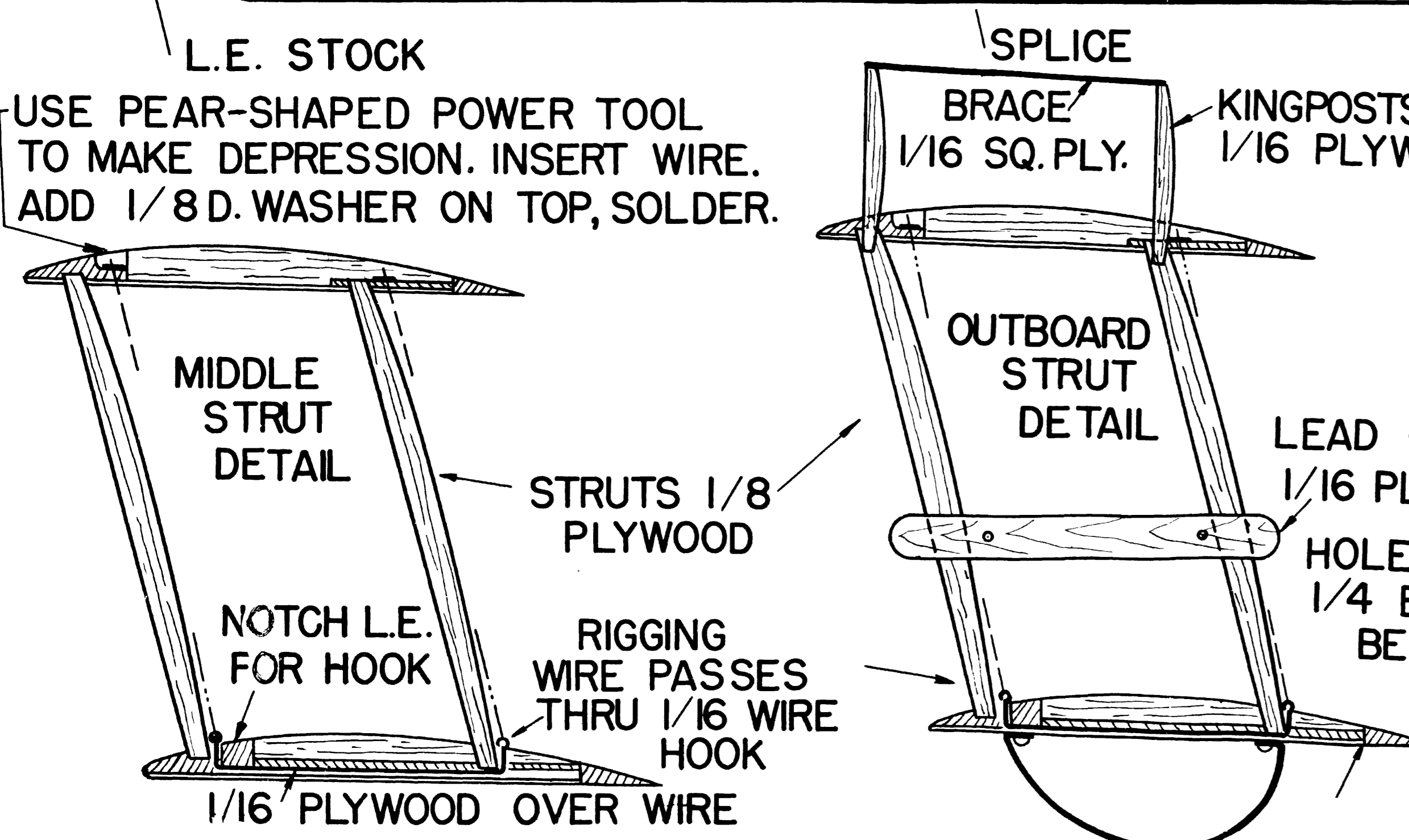
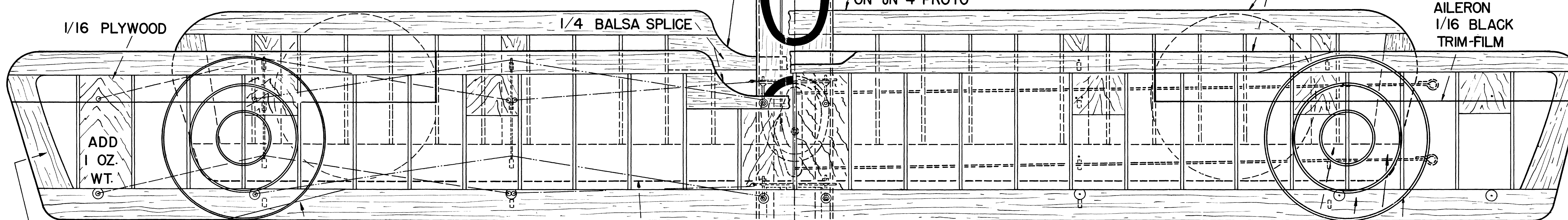
JN'S USE FOR SERIAL NUMBER FROM TWO TO FIVE DIGITS: USE 1-1/2" BLACK DECALS ON SIDE



ALL BULKHEADS 1/16 PLYWOOD



TRAILING EDGE CUTOUT ON JN-4 D PRODUCTION. TRAILING EDGE STRAIGHT ON JN-4 PROTO. RIB 3/32 MED. SHEET Balsa 51 REQ'D. T.E. 3/16 x 5/8 Balsa MED. AILERON 1/16 BLACK TRIM-FILM



JN4

**AIR TRAILS**  
 PLAN SERVICE DEPT.  
 304 E. 45 ST. NEW YORK 17, N.Y.  
 PLAN # 453

PRINTED MATTER