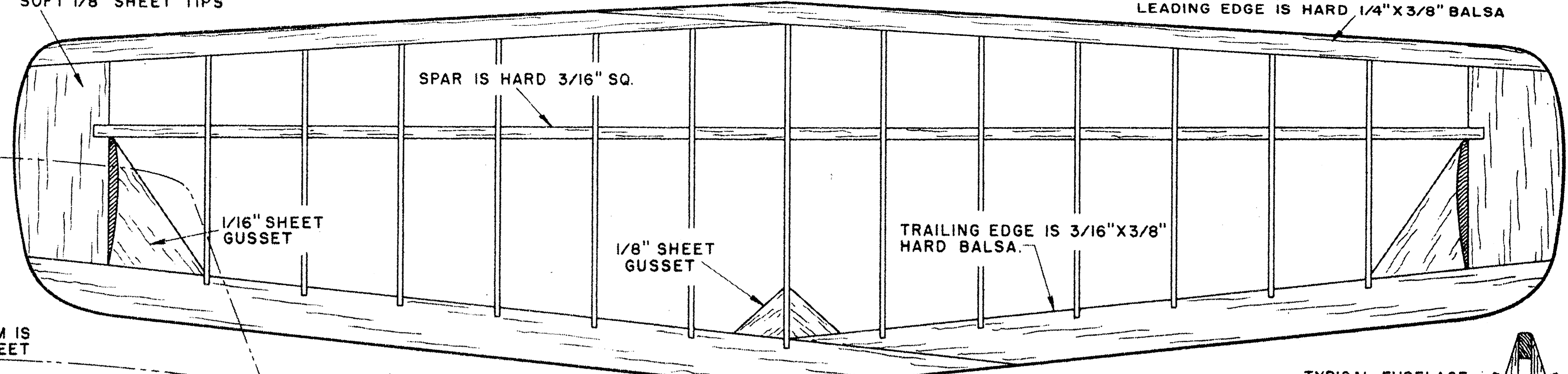
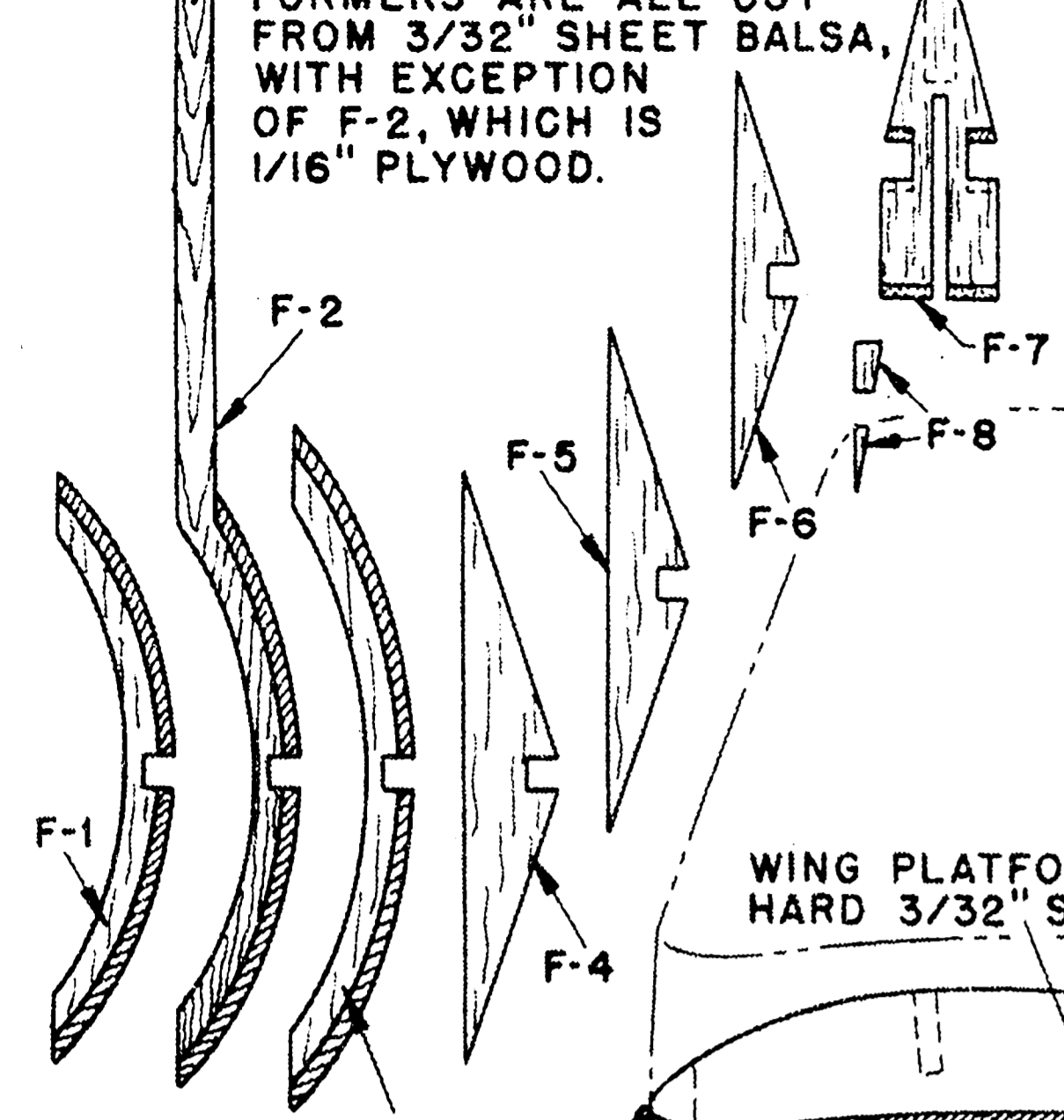


FORMERS ARE ALL CUT FROM 3/32" SHEET Balsa, WITH EXCEPTION OF F-2, WHICH IS 1/16" PLYWOOD.

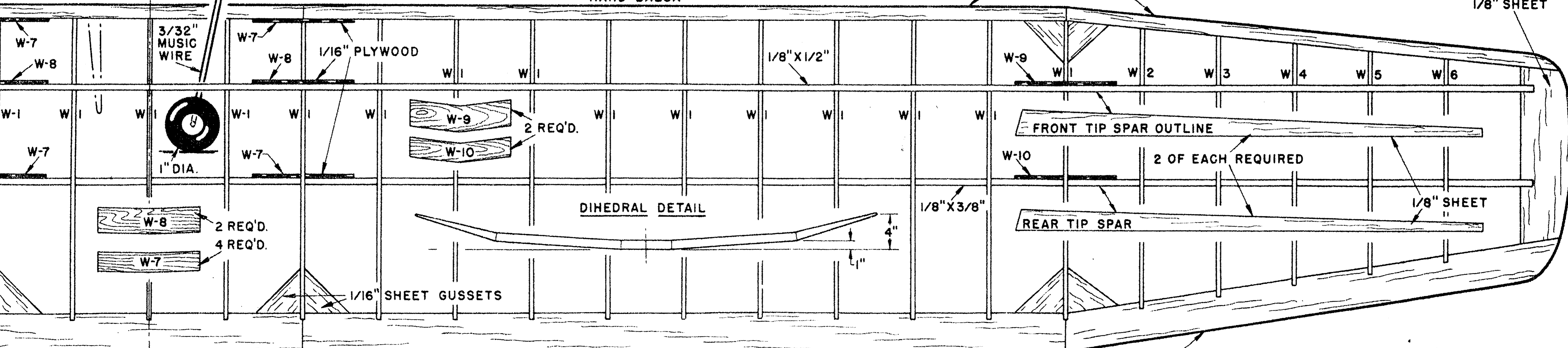
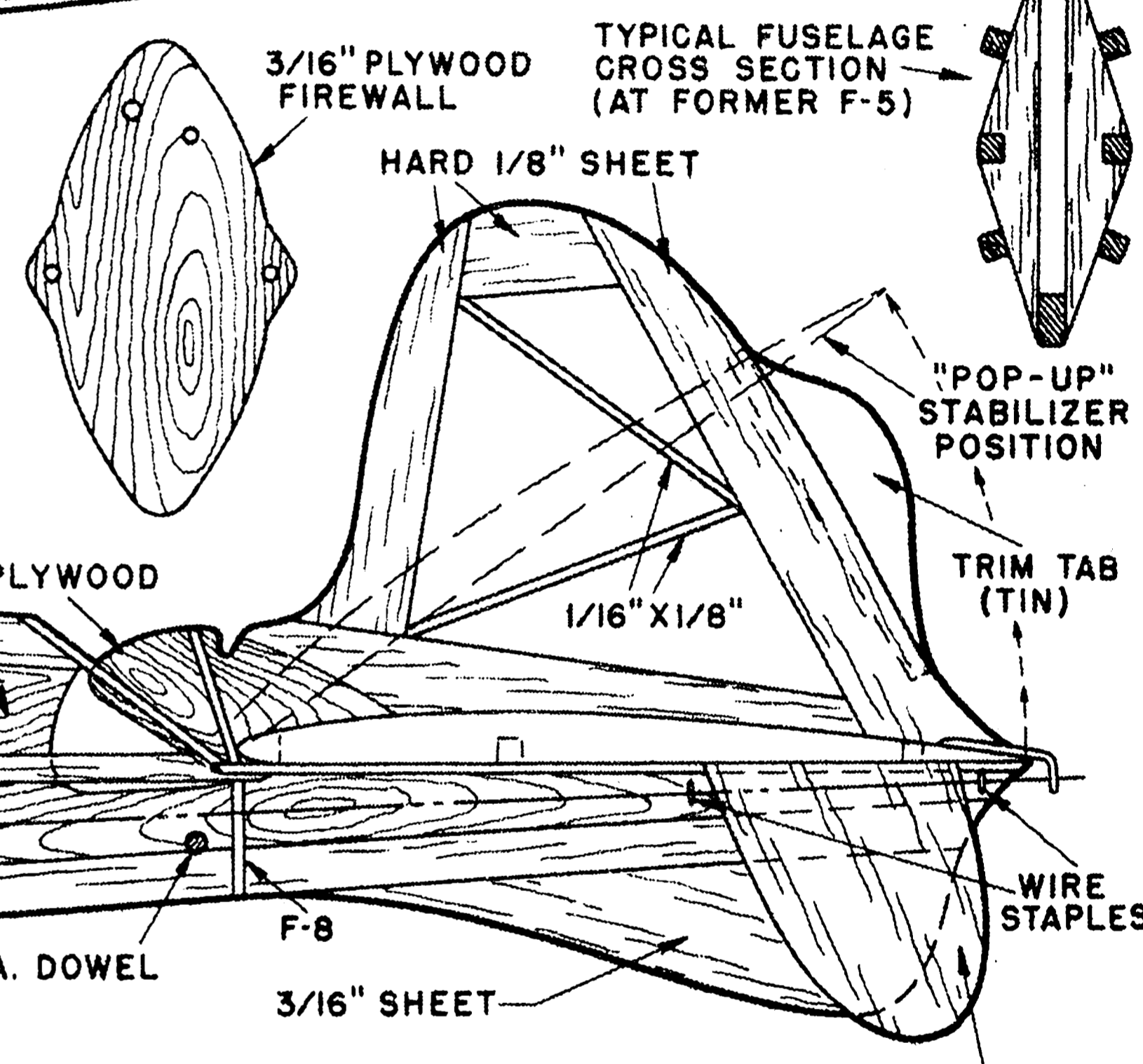
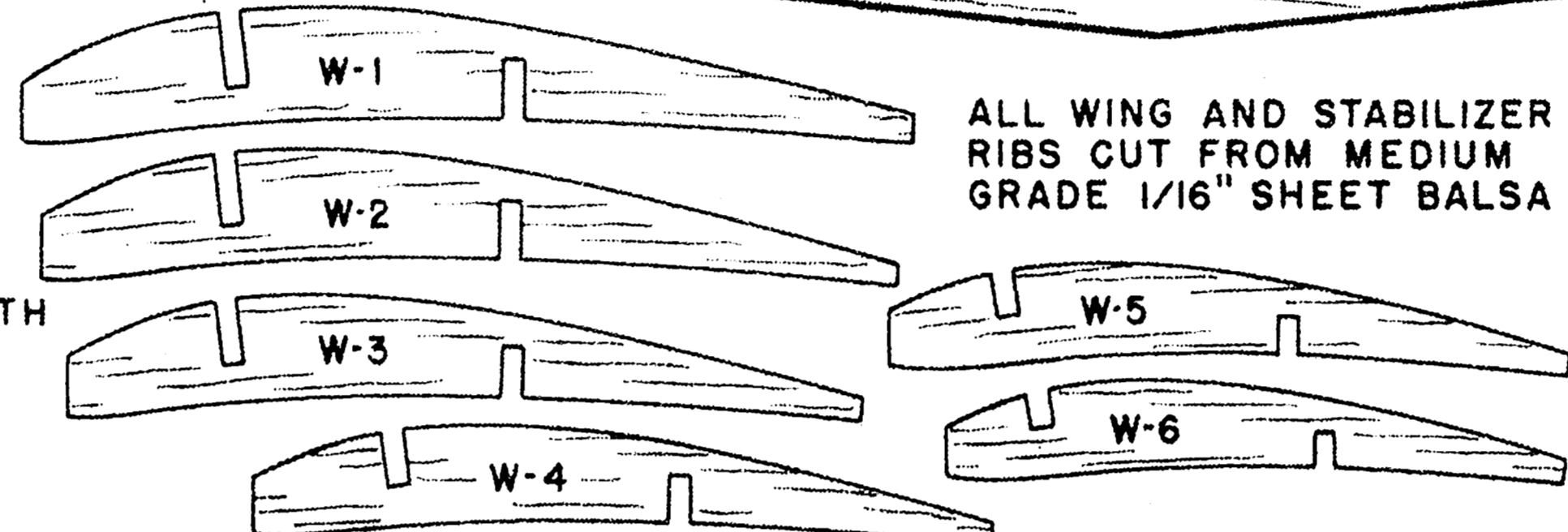
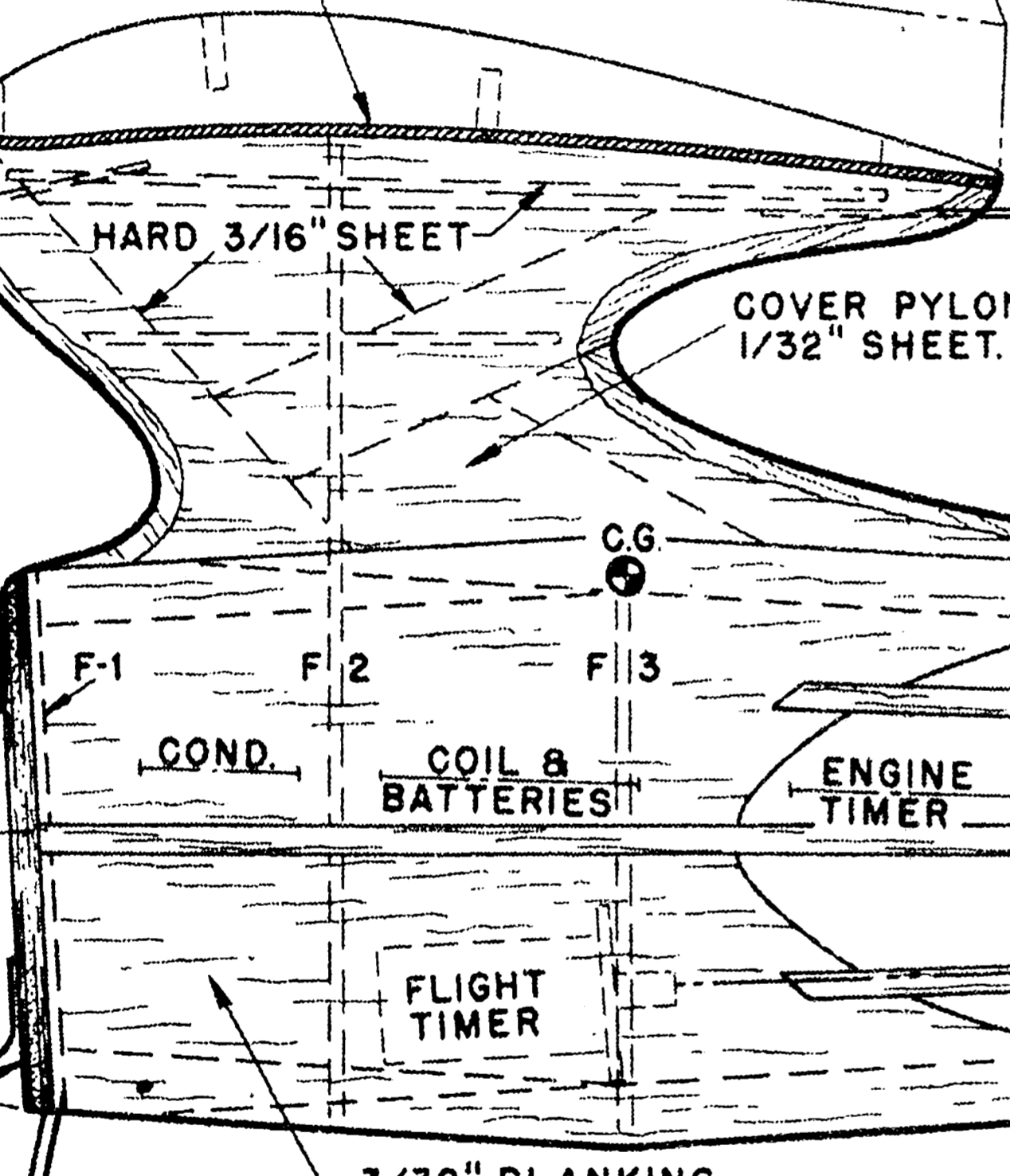
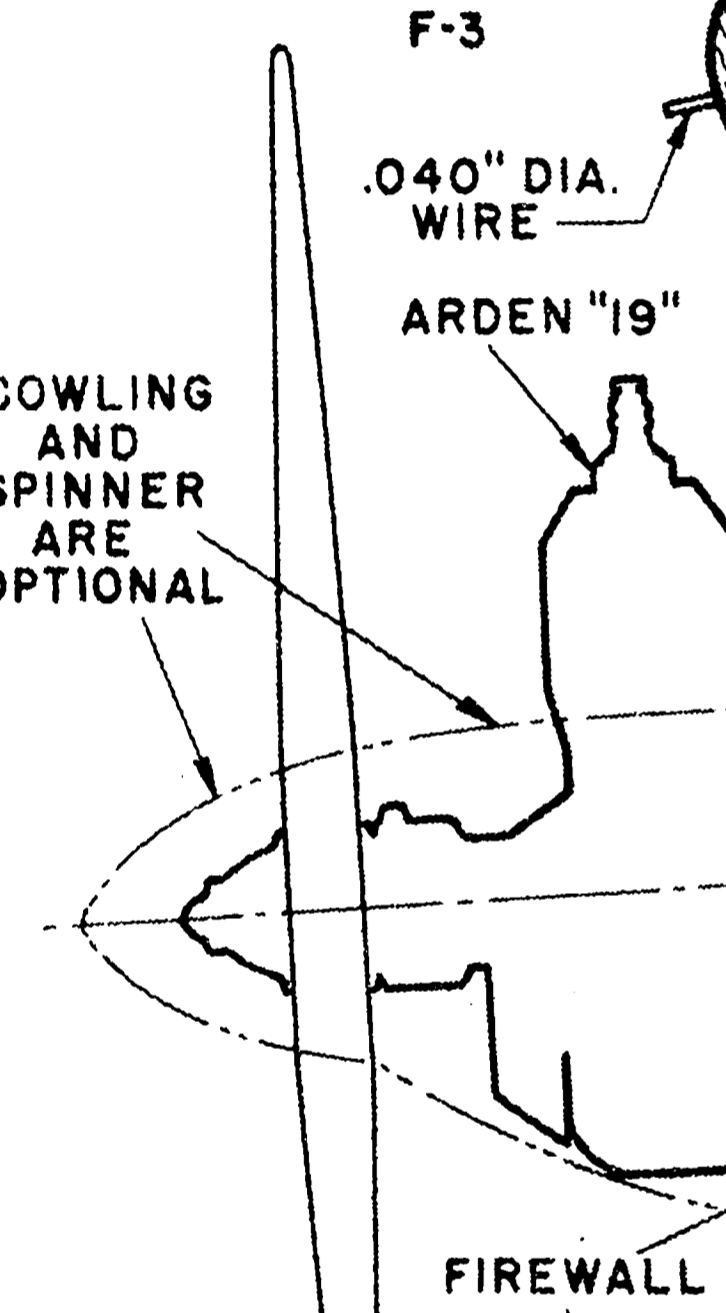
SOFT 1/8" SHEET TIPS

LEADING EDGE IS HARD 1/4" X 3/8" Balsa

SPAR IS HARD 3/16" SQ.



WING PLATFORM IS HARD 3/32" SHEET



SCALE IN INCHES 0 1 2 3 4 5 6