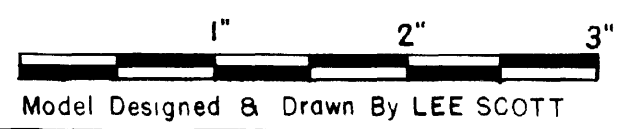
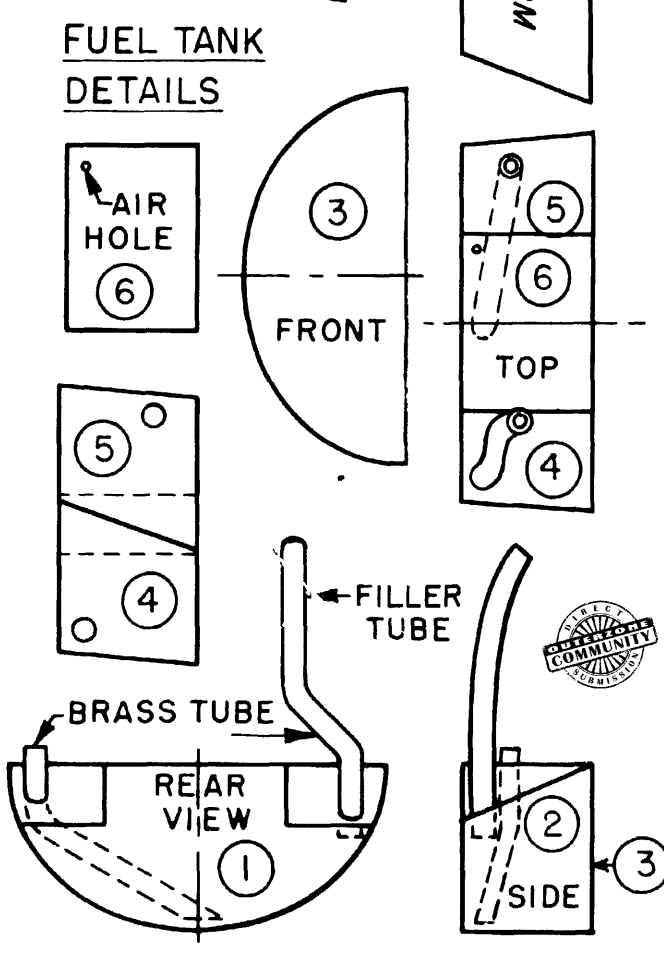


BONANZA
 FROM
JUNE 1949
AIR TRAILS



NOTE: LEFT WING SOLID LINES.
 RIGHT WING DOTTED LINES.