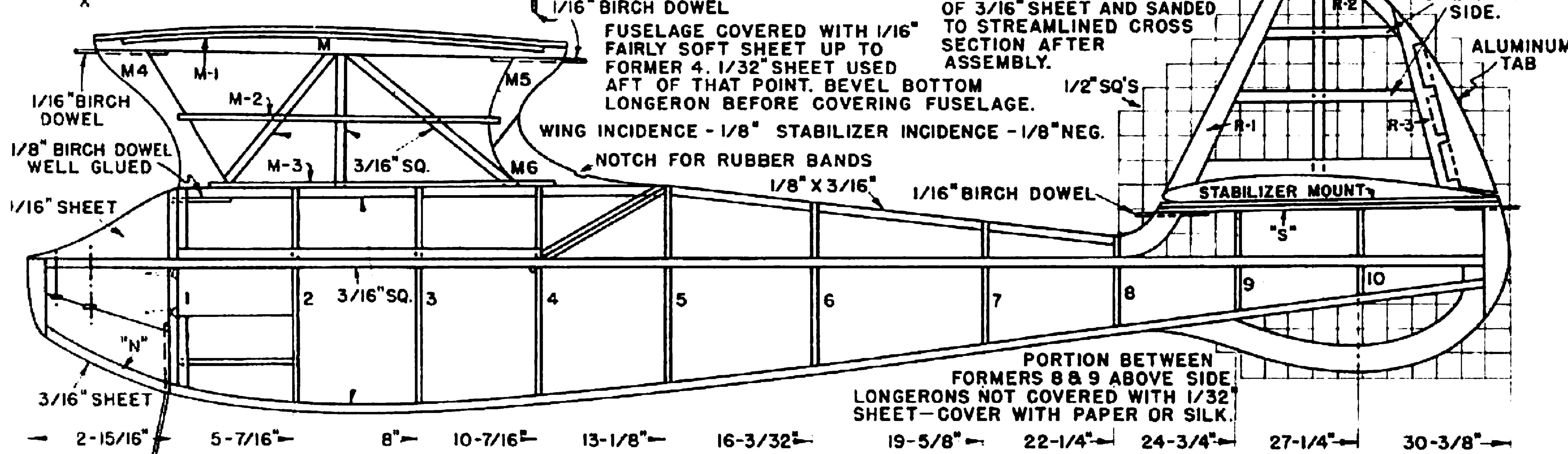
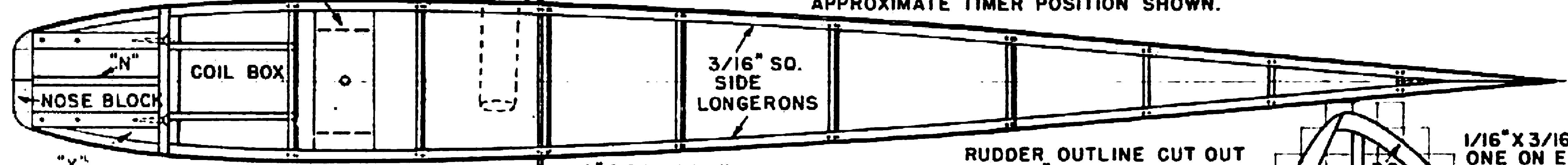
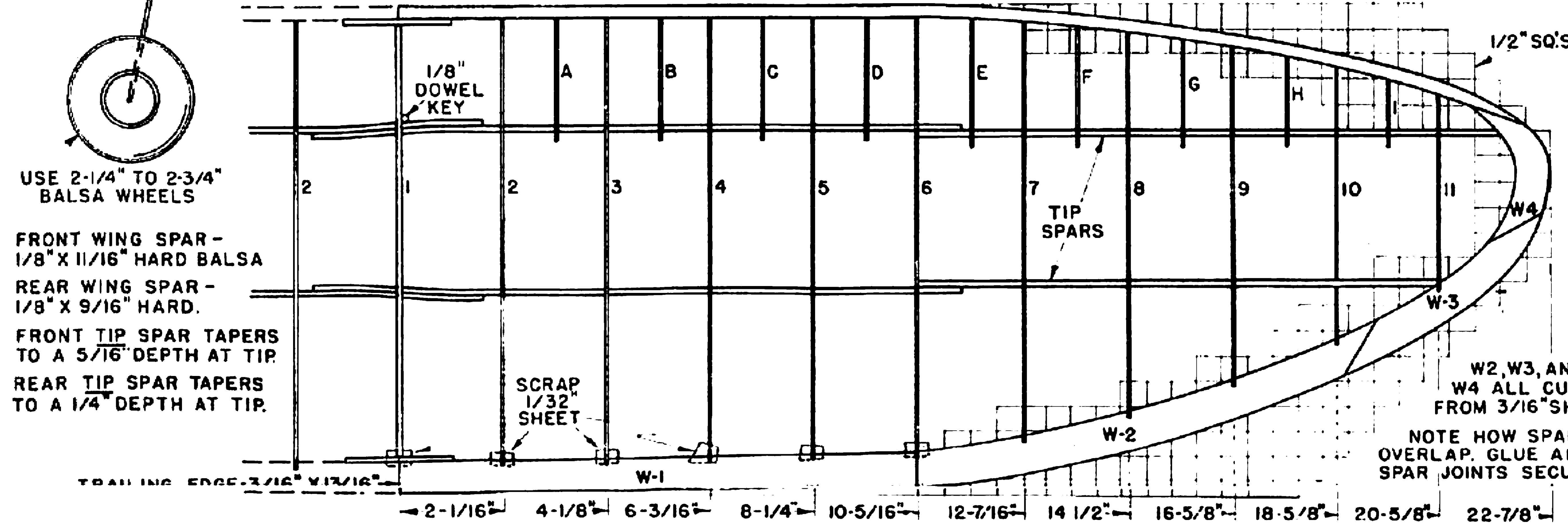


1/8" HARD SHEET TO HOLD AUSTIN PEN  
LIGHT DURAL BATTERY BOX

DO NOT MOUNT TIMER UNTIL PLANE IS ENTIRELY COMPLETED. THEN USE TIMER TO BALANCE PLANE.  
APPROXIMATE TIMER POSITION SHOWN.



LEADING EDGE - 1/4" X 1/2" MEDIUM HARD      LEADING EDGE TAPERS TO 1/4" SQ. AT TIP.



USE 2-1/4" TO 2-3/4" Balsa wheels

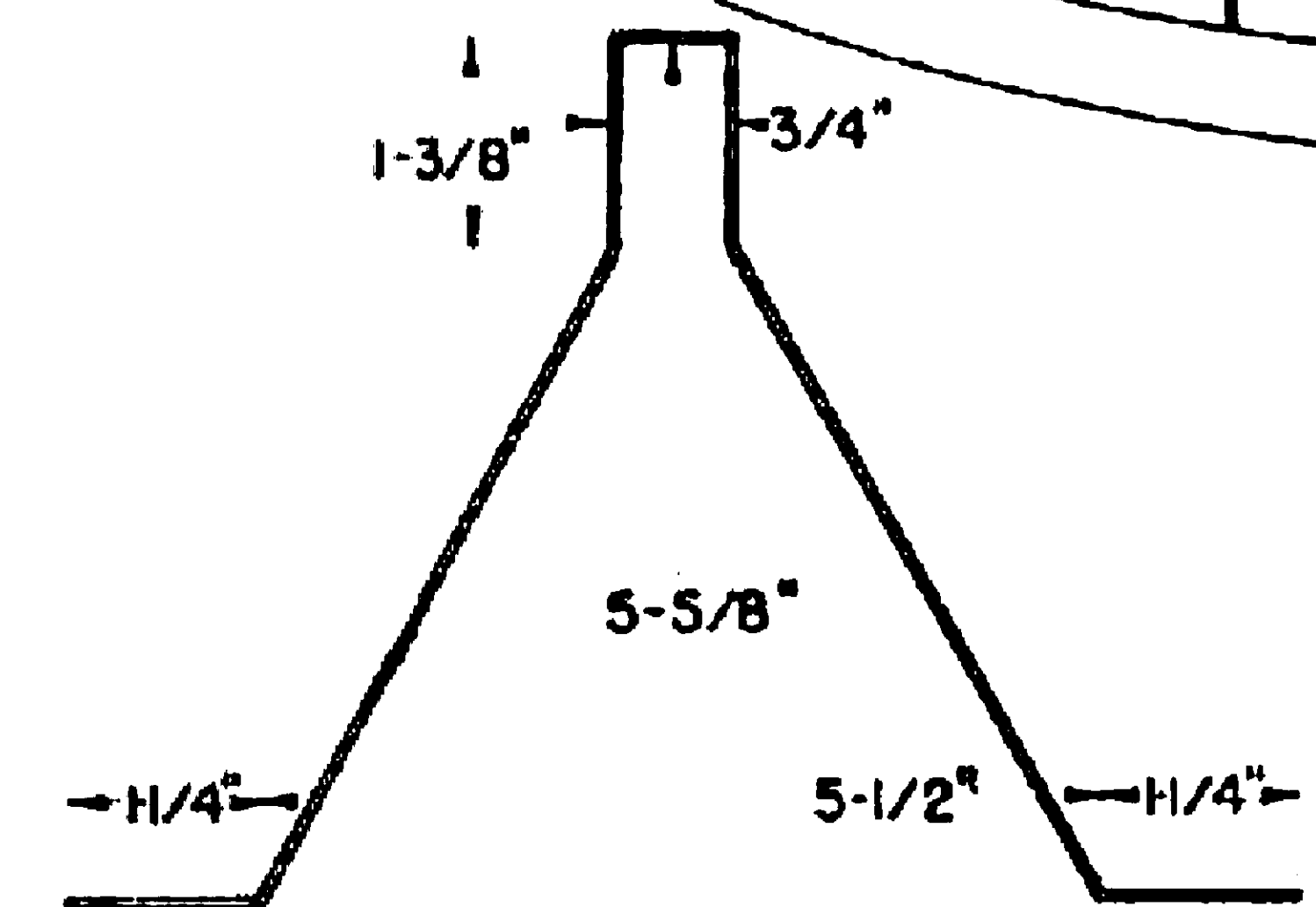
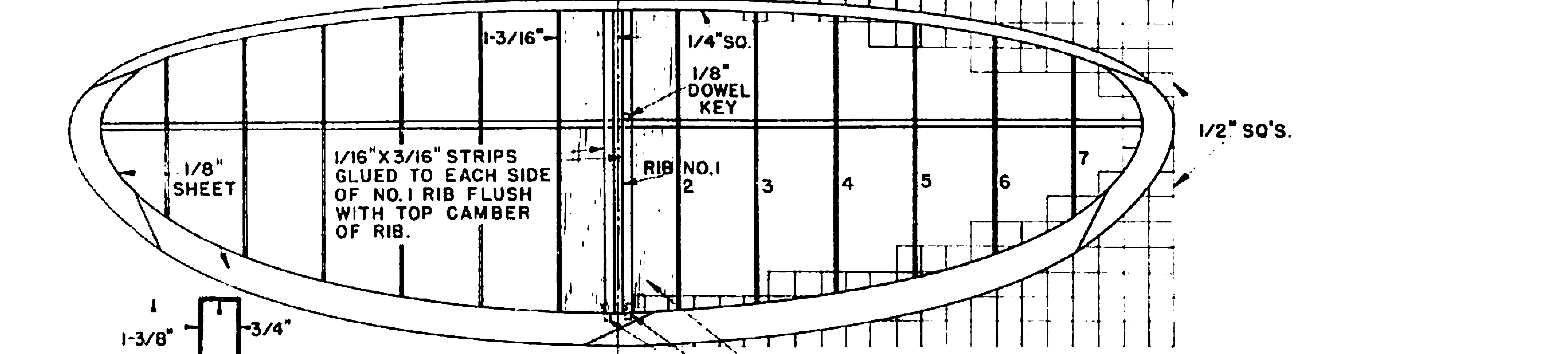
FRONT WING SPAR - 1/8" X 11/16" HARD BALSA  
REAR WING SPAR - 1/8" X 9/16" HARD.

FRONT TIP SPAR TAPERS TO A 5/16" DEPTH AT TIP.  
REAR TIP SPAR TAPERS TO A 1/4" DEPTH AT TIP.

W2, W3, AND W4 ALL CUT FROM 3/16" SHEET.

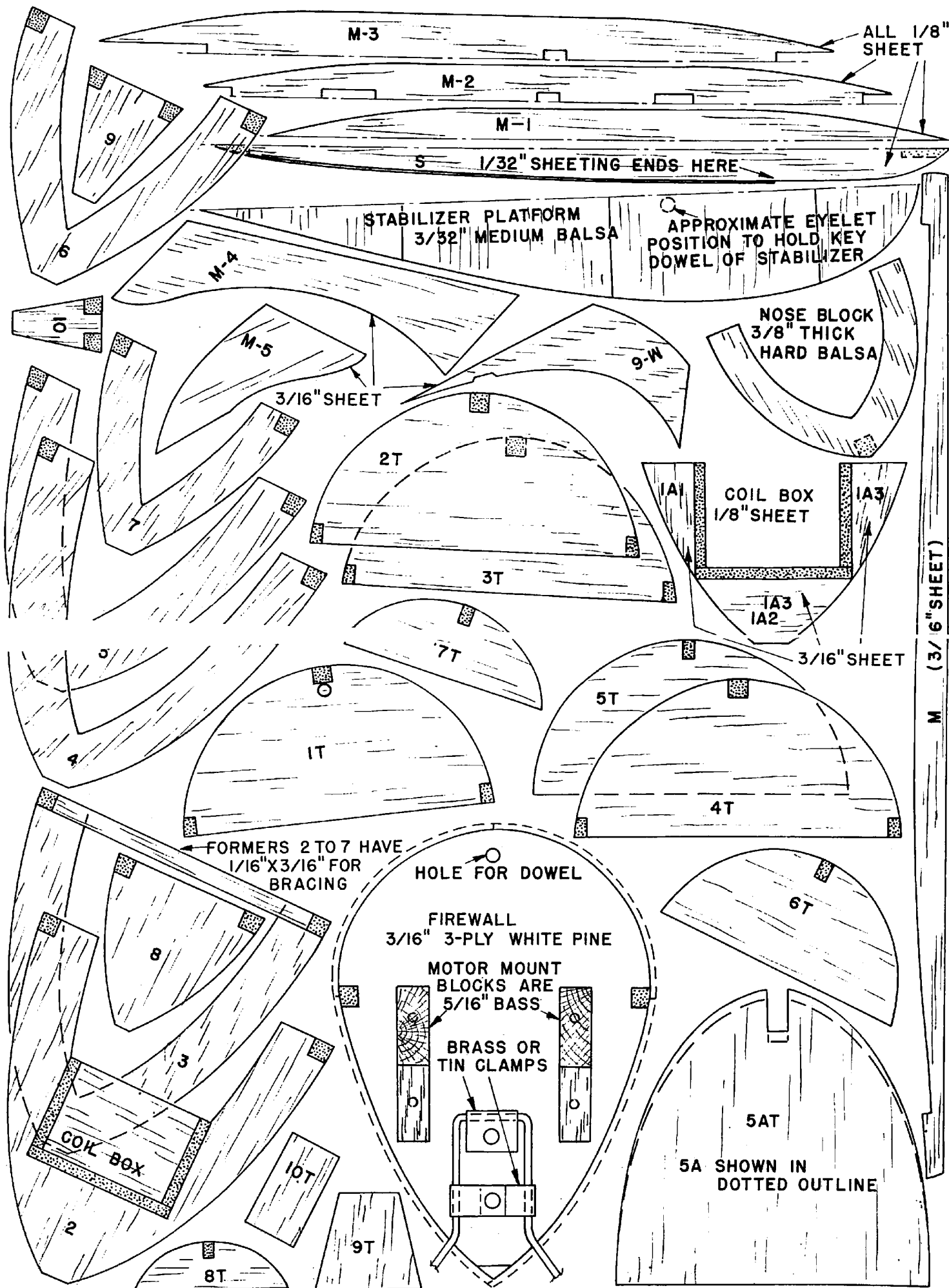
NOTE HOW SPARS OVERLAP. GLUE ALL SPAR JOINTS SECURELY.

TRAILING EDGE - 3/16" X 1/16"      1/8" X 3/8" STABILIZER SPAR TAPERS TO 1/8" X 3/16" AT TIP.



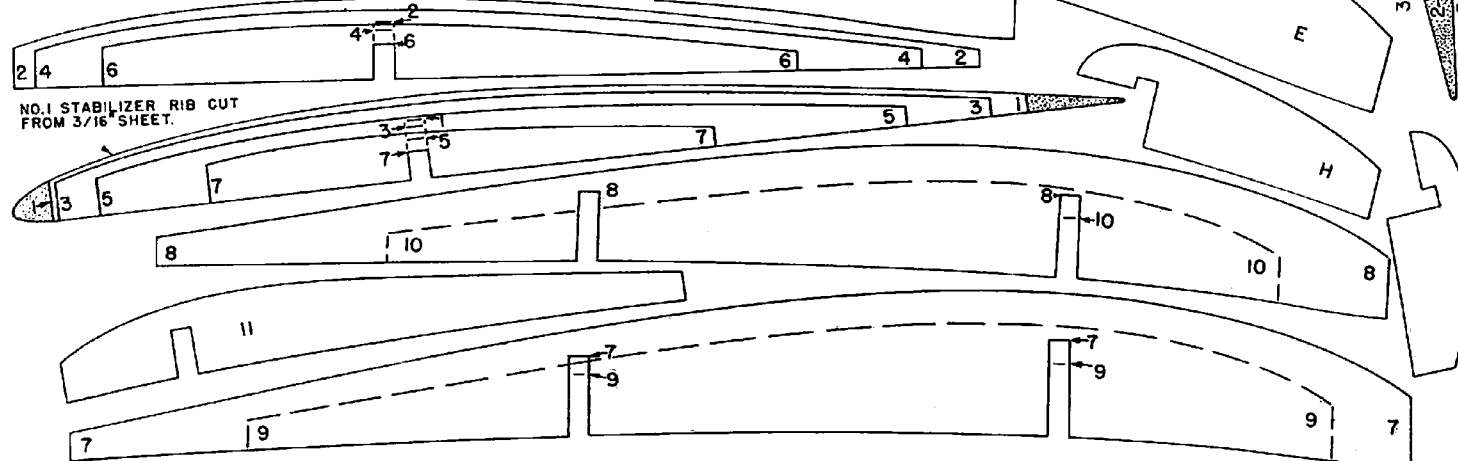
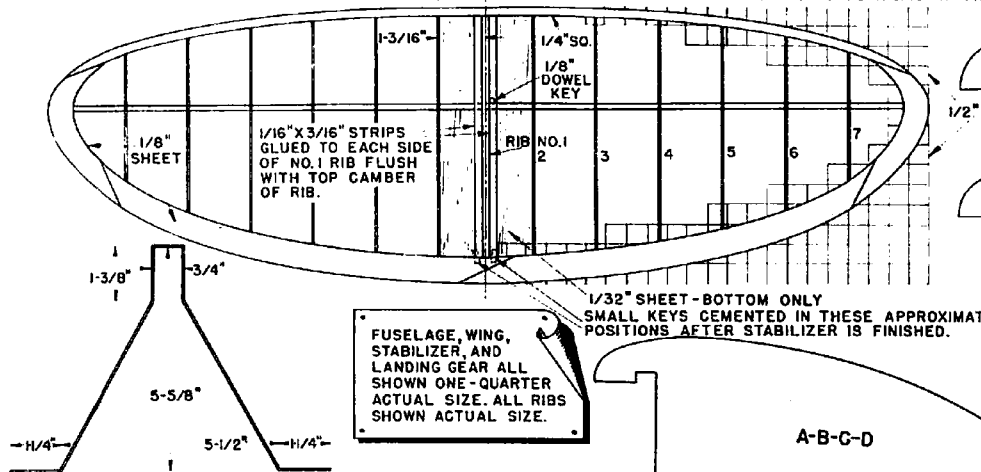
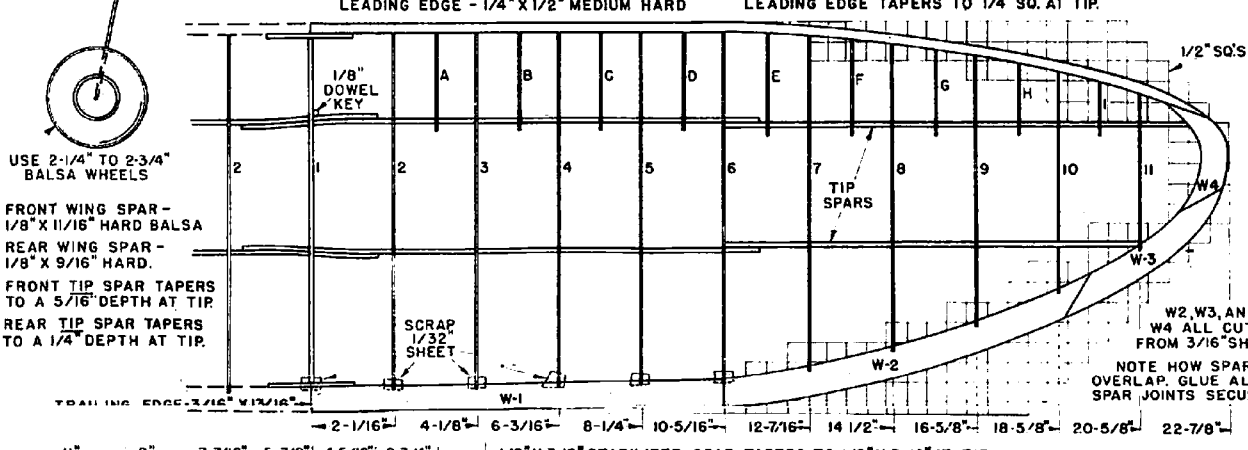
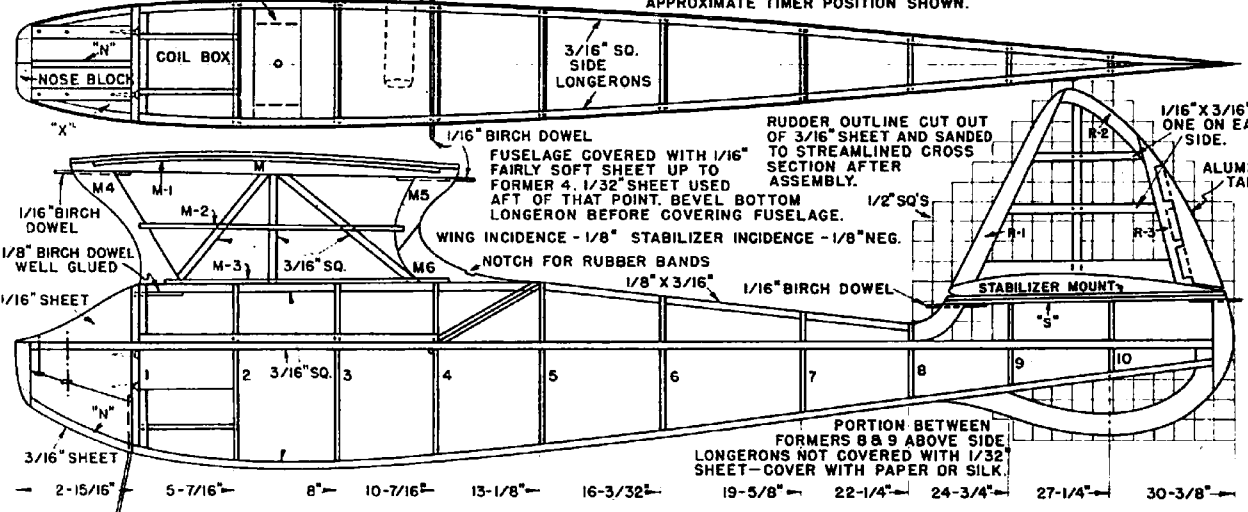
FUSELAGE, WING, STABILIZER, AND LANDING GEAR ALL SHOWN ONE-QUARTER ACTUAL SIZE. ALL RIBS SHOWN ACTUAL SIZE.

1/32" SHEET - BOTTOM ONLY  
SMALL KEYS CEMENTED IN THESE APPROXIMATE POSITIONS AFTER STABILIZER IS FINISHED.



1/8" HARD SHEET TO HOLD AUSTIN PEN LIGHT DURAL BATTERY BOX

DO NOT MOUNT TIMER UNTIL PLANE IS ENTIRELY COMPLETED. THEN USE TIMER TO BALANCE PLANE. APPROXIMATE TIMER POSITION SHOWN.



DIHEDRAL NOTE: - 1" DIHEDRAL UNDER RIB NO. 6 AND 3" TIP DIHEDRAL.

