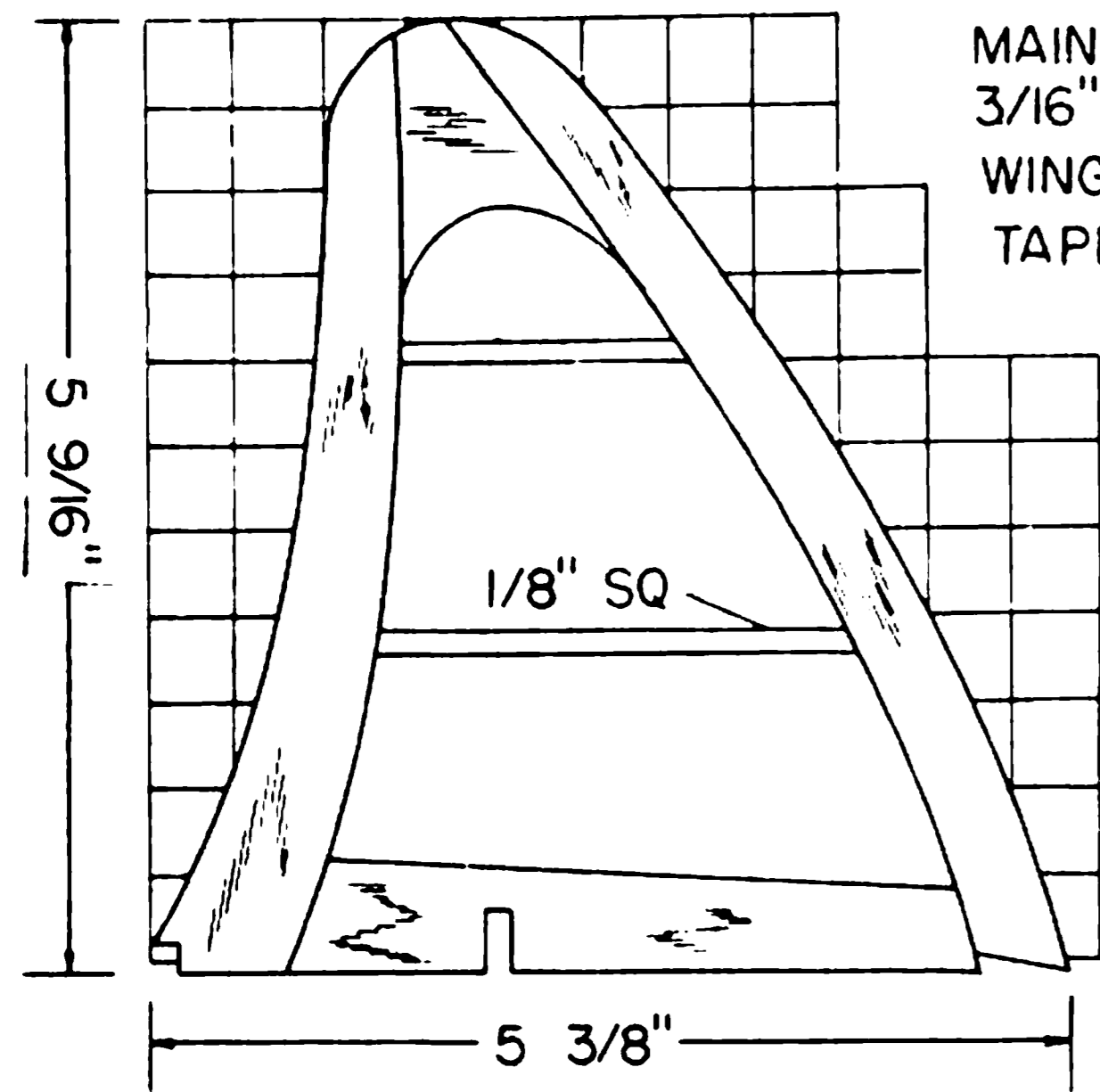


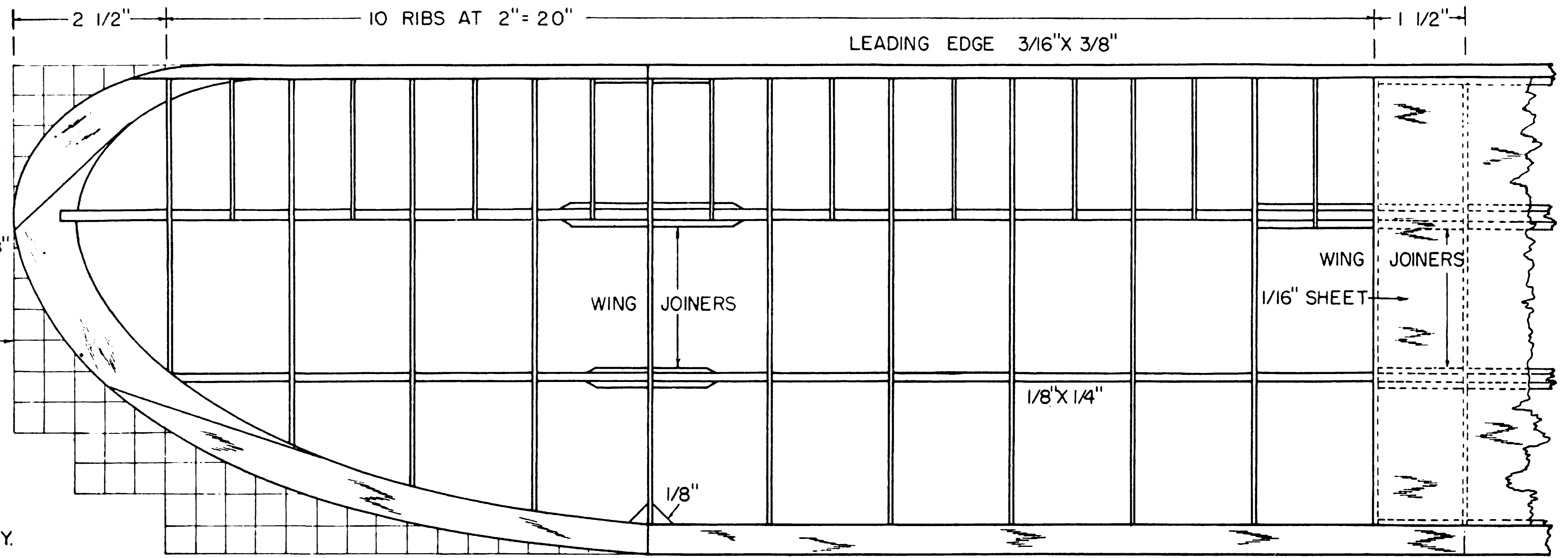
RUDDER OUTLINE 1/8" SHEET



MAIN WING SPAR IS 3/16" X 5/8" AT OUTER WING PANEL IT IS TAPERED TO 3/16" SQ.

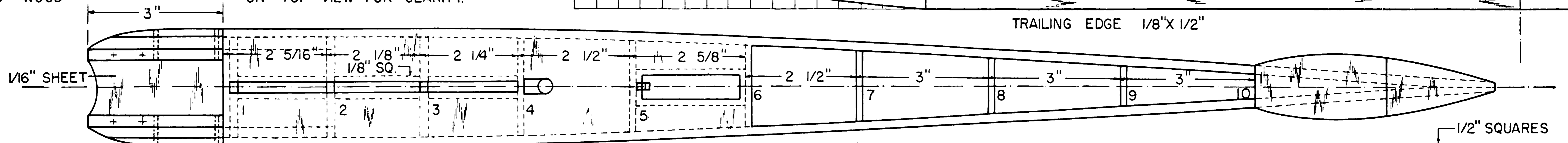
WING TIPS 1/8"

1/2" SQUARES

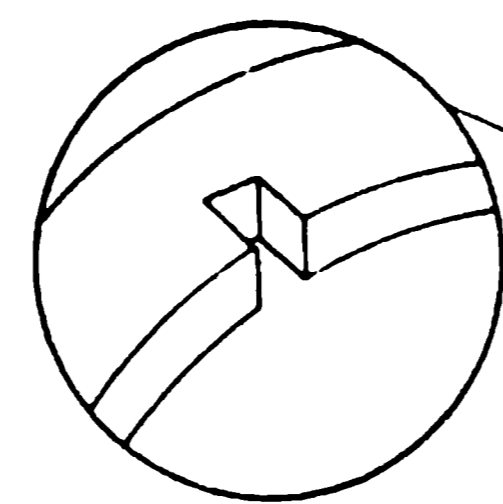


SHELLAC INSIDE OF NOSE TO PREVENT OIL FROM SOAKING INTO WOOD

WING MOUNT IS OMITTED ON TOP VIEW FOR CLARITY.

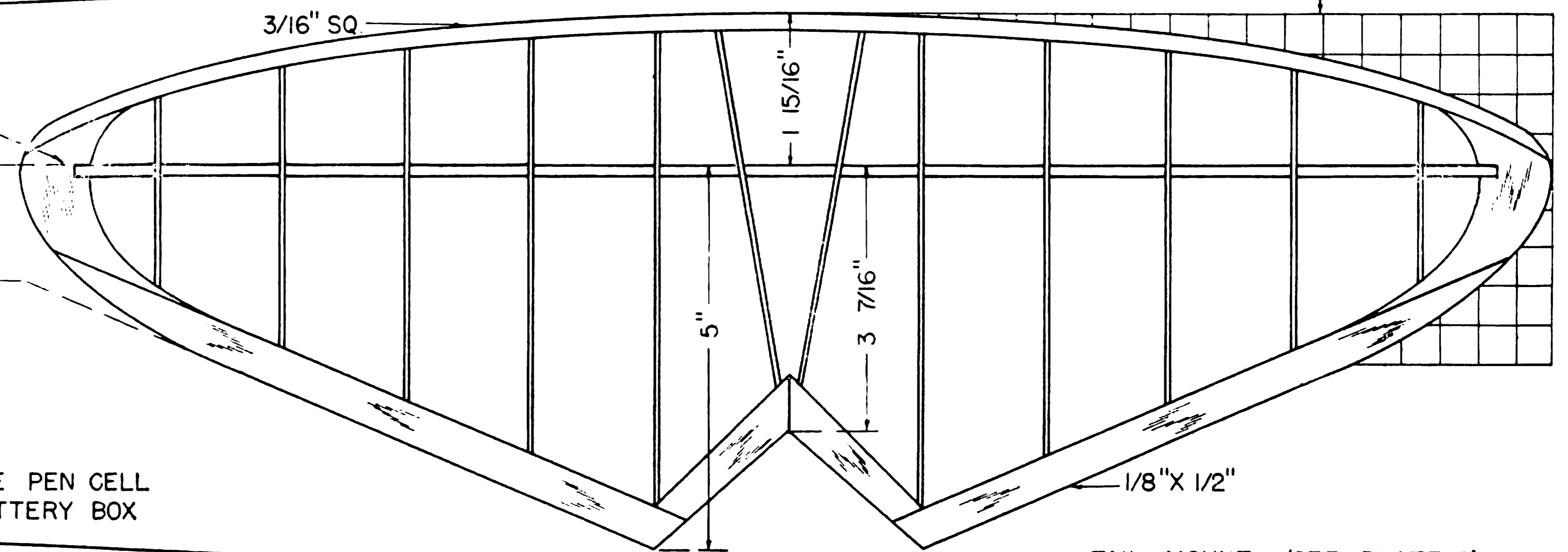


MOTOR MOUNTS SHOWN ARE FOR OHLSSON "23" OR "19" OTHER MOTORS OF SIMILAR POWER MAY BE USED BY VARYING THE WIDTH OF THE MOTOR MOUNTS.



NOTCH WING AND TAIL TIPS FOR SPARS

SINGLE PEN CELL BATTERY BOX



1/2" SQUARES

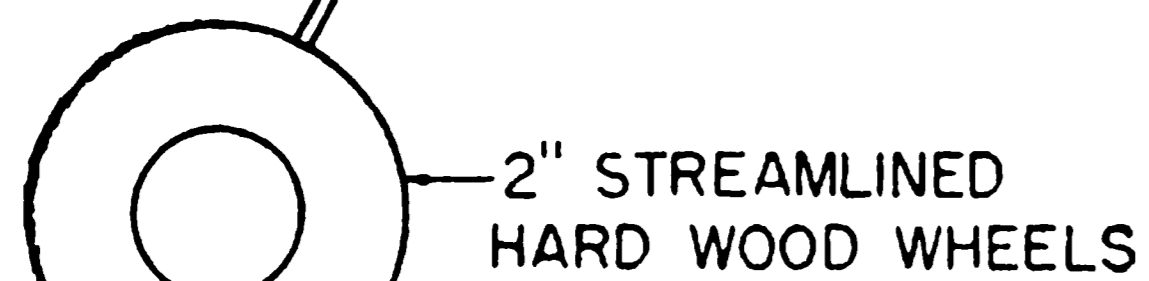
1/8" X 1/2"

TAIL MOUNT (SEE PLATE 2)

6° DOWN THRUST  
2° LEFT THRUST

NOSE BLOCK  
1/4" SHEET

LANDING GEAR  
3/32" STEEL WIRE



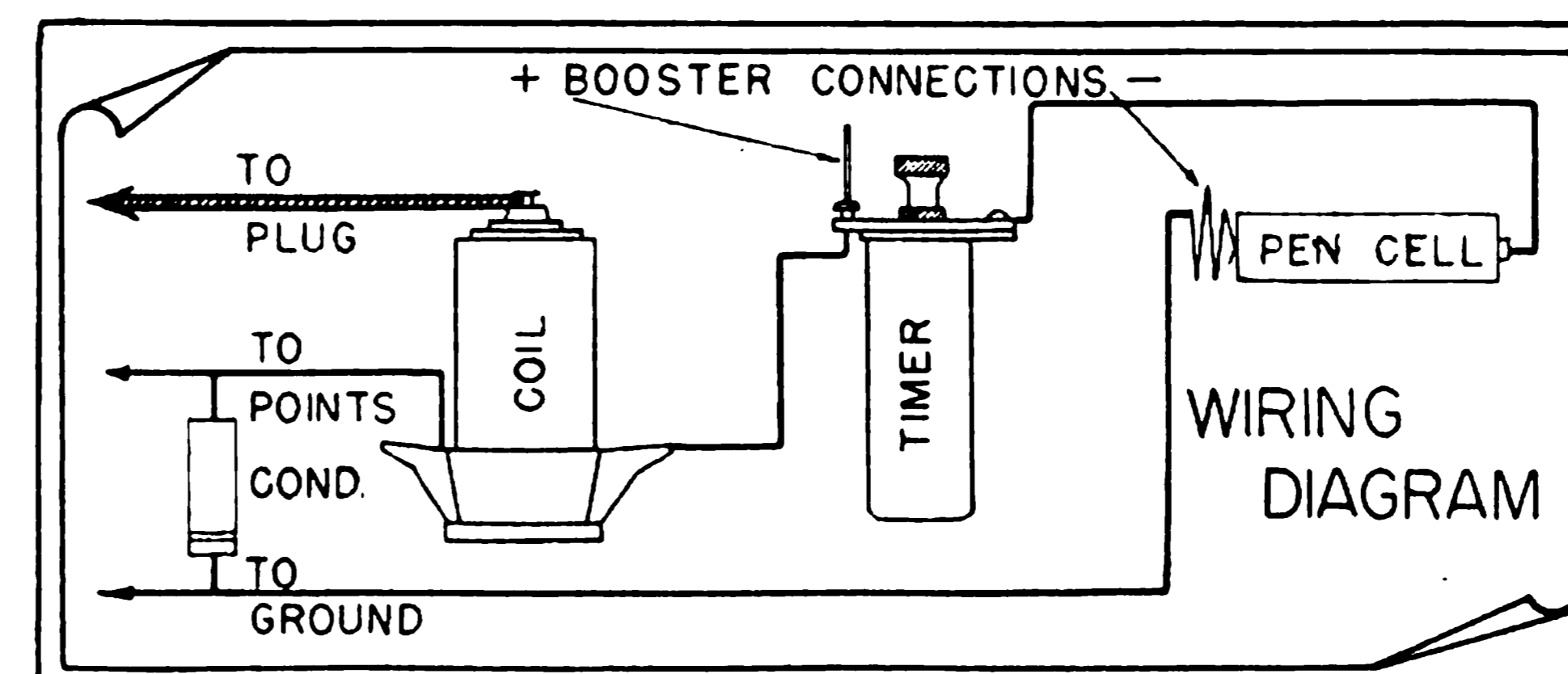
2" STREAMLINED  
HARD WOOD WHEELS

FUSELAGE IS COVERED WITH 1/16" SHEET Balsa BETWEEN STATIONS 1 & 3 ON SIDES, 1 & 4 ON BOTTOM, AND 1 & 6 ON TOP.

LONGERONS 3/16" SQ.

1/2" SQUARES

SUB RUDDER 1/8" SHEET

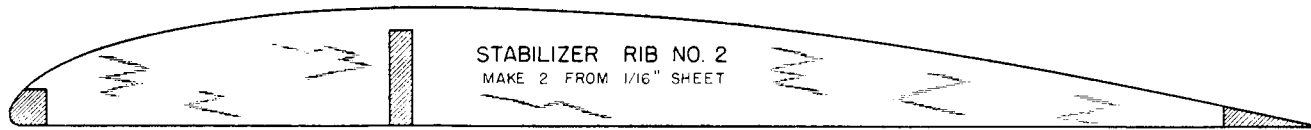
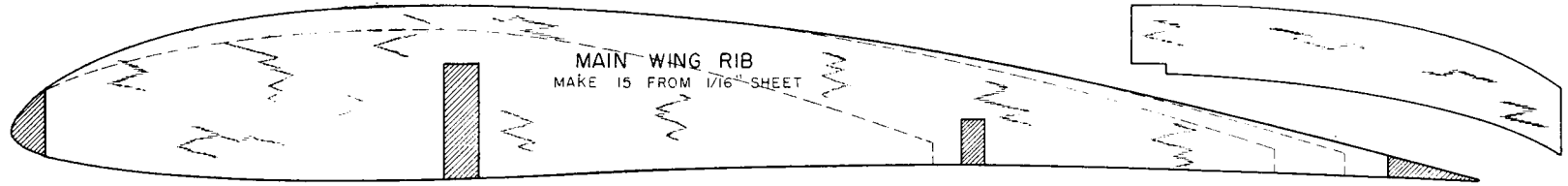


**THERMAL THUMBER**

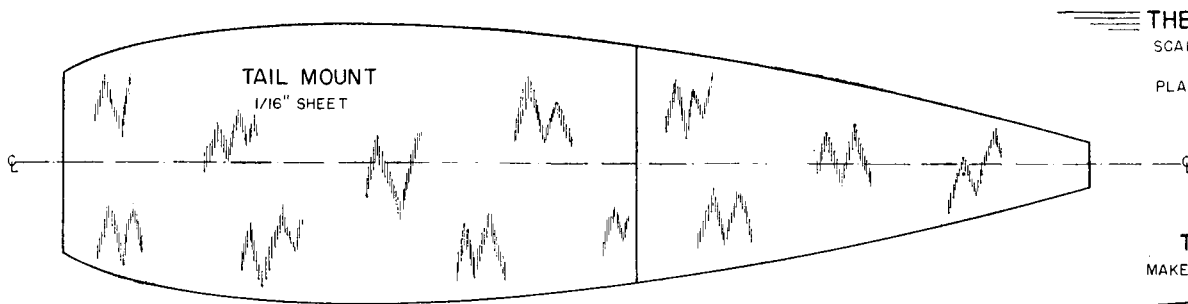
DESIGN & PLANS---- M. BRYCELAND

PLATE--- I.

FALSE RIB  
MAKE 14 FROM 1/16" SHEET

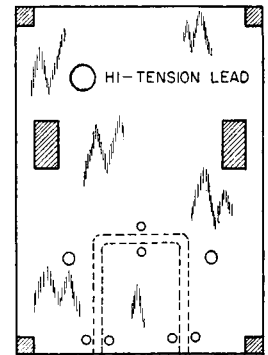


FIREWALL  
1/8" PLYWOOD SHOWN 1/2" SCALE

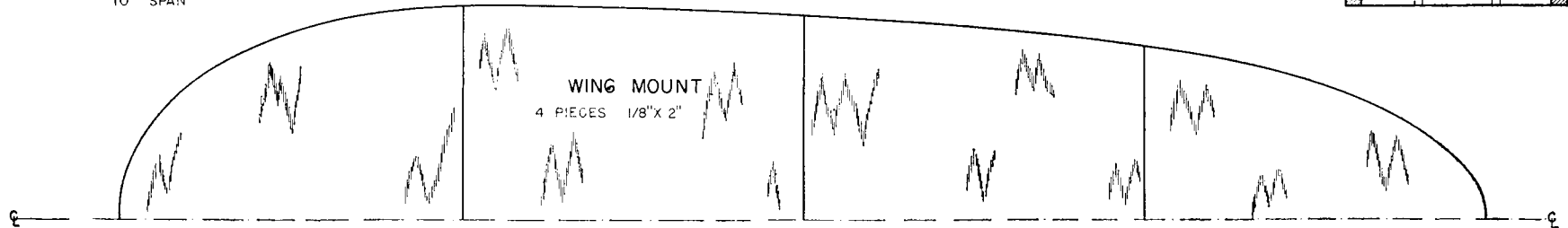


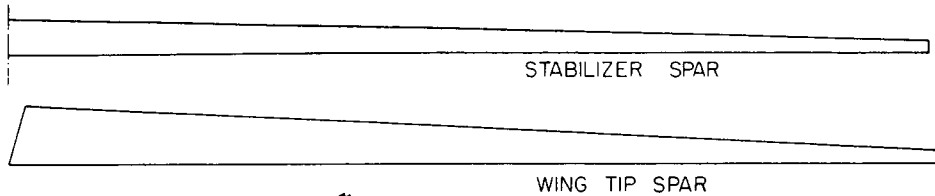
THERMAL THUMBER  
SCALE-----FULL SIZE EXCEPT  
WHERE NOTED  
PLATE-----TWO

TAIL BLOCK  
MAKE 2 FROM 1/8" BALSA

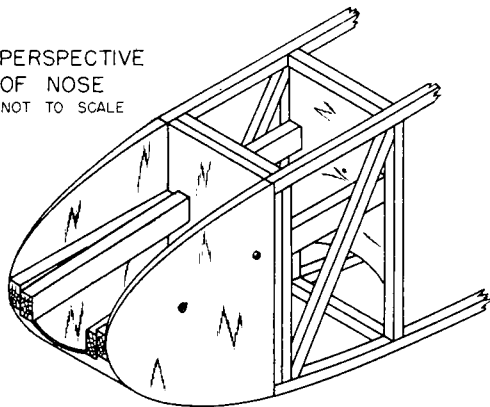


NOTE: WING & TAIL MOUNT HAVE  
GRAIN RUNNING PARALLEL  
TO SPAN



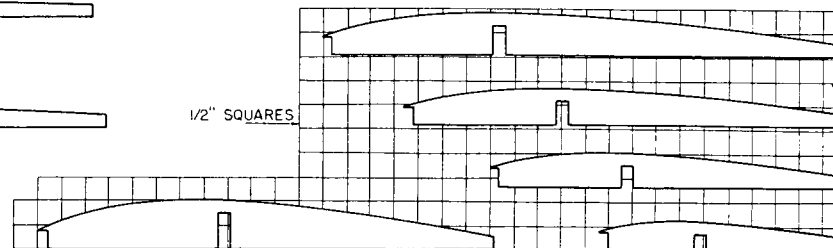


PERSPECTIVE OF NOSE NOT TO SCALE

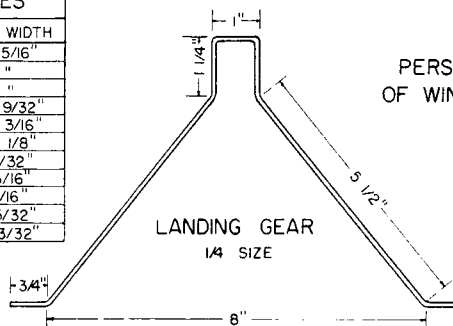


FUSELAGE ORDINATES

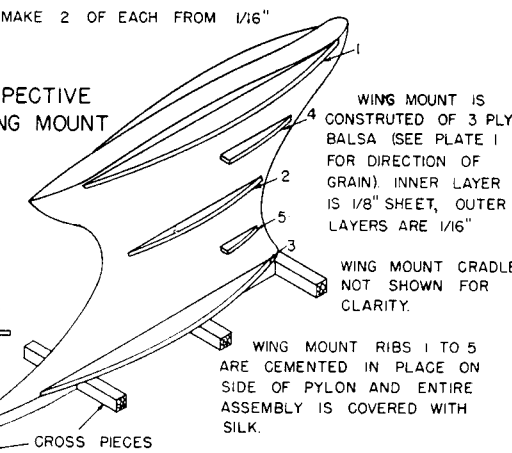
STATION	UPPER	LOWER	1/2 WIDTH
1	1 3/16"	2 7/16"	1 5/16"
2	1 7/32"	2 3/4"	"
3	1 3/16"	2 11/16"	"
4	1 5/32"	2 1/2"	1 9/32"
5	1 1/16"	2 7/32"	1 3/16"
6	3/32"	1 15/16"	1 1/8"
7	13/16"	1 5/8"	3/32"
8	11/16"	1 5/16"	13/16"
9	9/32"	1 1/32"	11/16"
10	3/8"	3/4"	15/32"
END	0	5/16"	3/32"



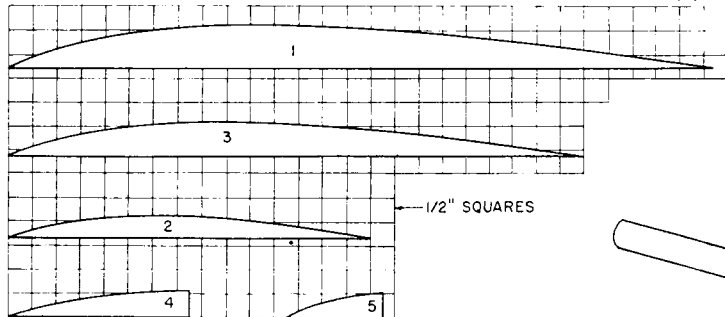
STABILIZER RIBS MAKE 2 OF EACH FROM 1/16"



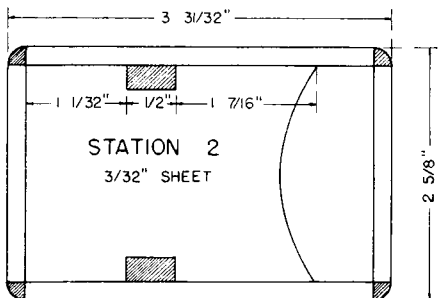
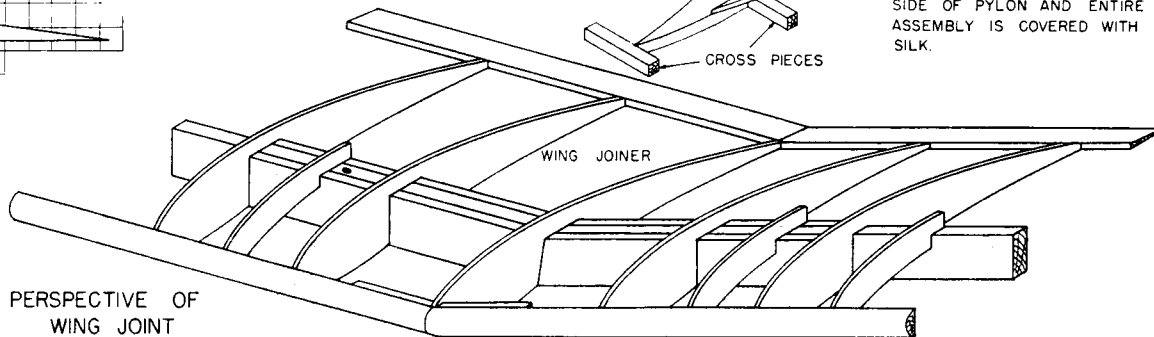
PERSPECTIVE OF WING MOUNT



WING MOUNT RIBS MAKE 2 OF EACH FROM 1/16"

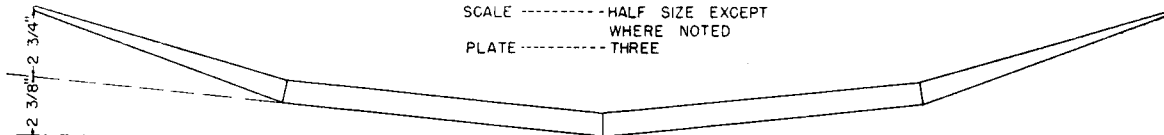


PERSPECTIVE OF WING JOINT NOT TO SCALE



≡ THERMAL THUMBER ≡

SCALE ----- HALF SIZE EXCEPT WHERE NOTED  
 PLATE ----- THREE



POLYHEDRIAL