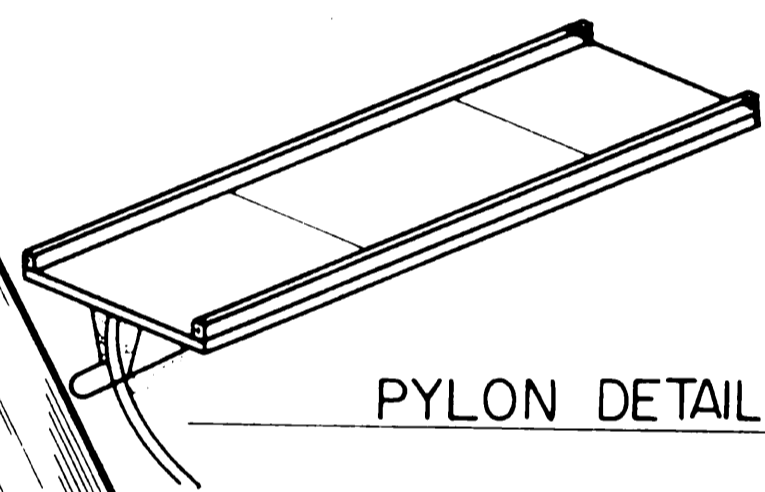


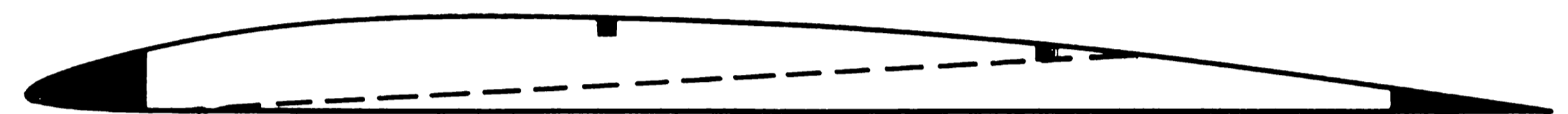
SANDWICH RUDDER BETWEEN THE TWO CENTER RIBS

LEADING EDGE 3/16" X 3/8"

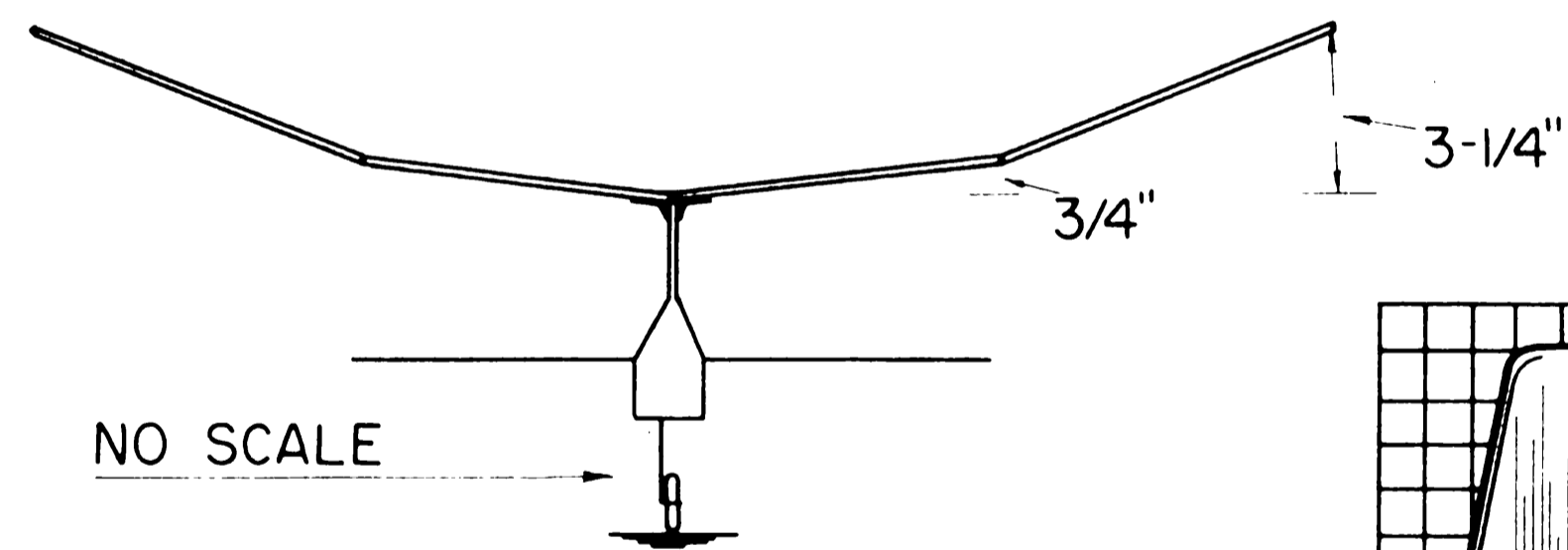
1-3/4"



045



NOTE. TAPERED WING & STABILIZER RIBS ARE CUT AS SHOWN. RIBS-1/16" SHEET



RUDDER 1/16" SHEET C STOCK

1/16" SHEET KEEL

FIREWALL IS BUILT UP WITH TWO SHEETS OF 1/16" PLYWOOD WITH A 1/16" Balsa FILLER

WING REST 1/8" SHEET HARD STOCK

SIDES & BOTTOM 1/16" SHEET C STOCK

STABILIZER REST 1/16" SHEET

1/16" DIA.

1-1/4" DIA.

1/8" SQ. Balsa

