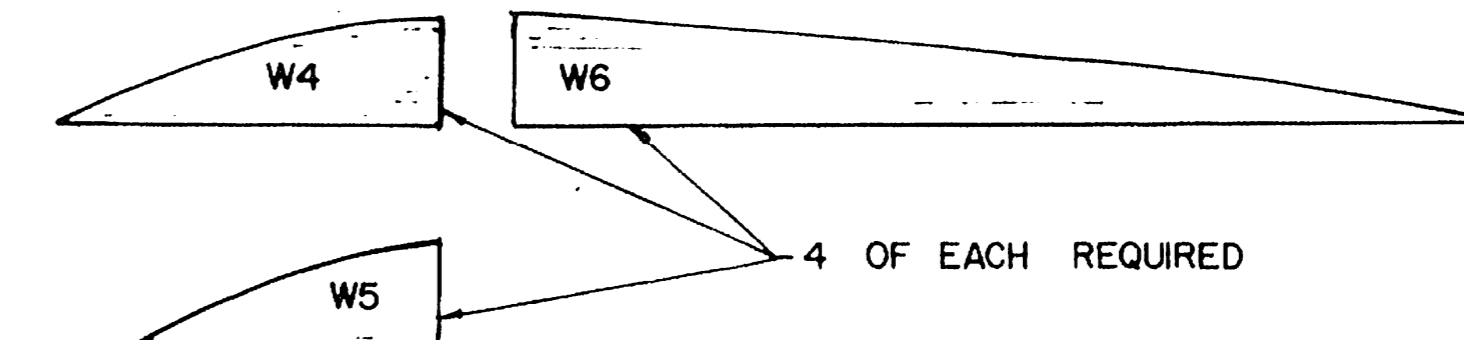
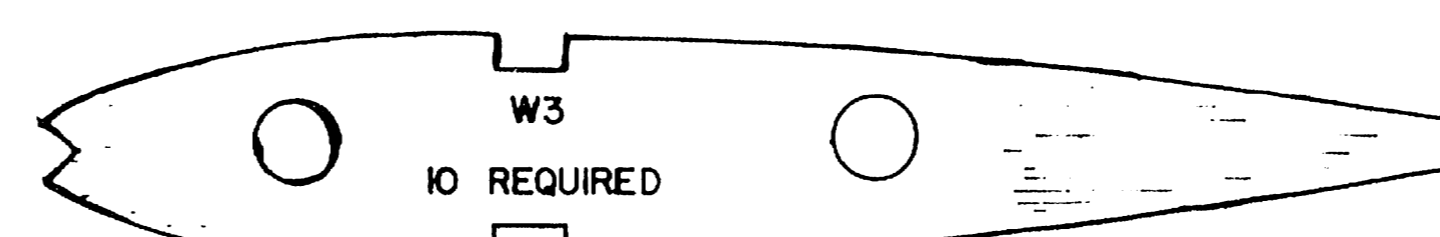
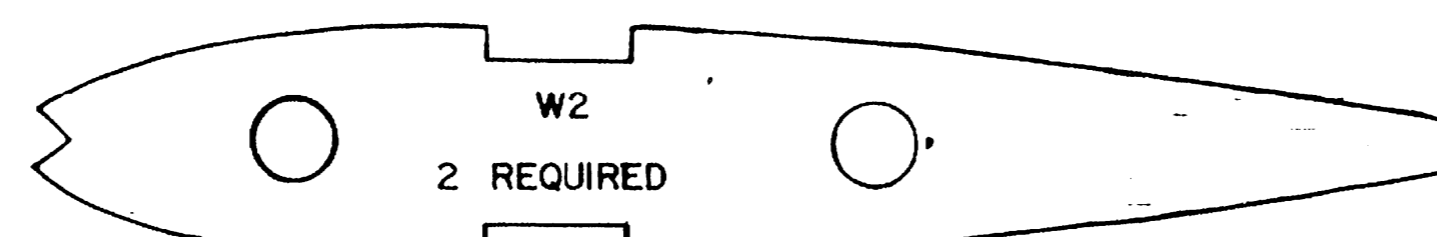
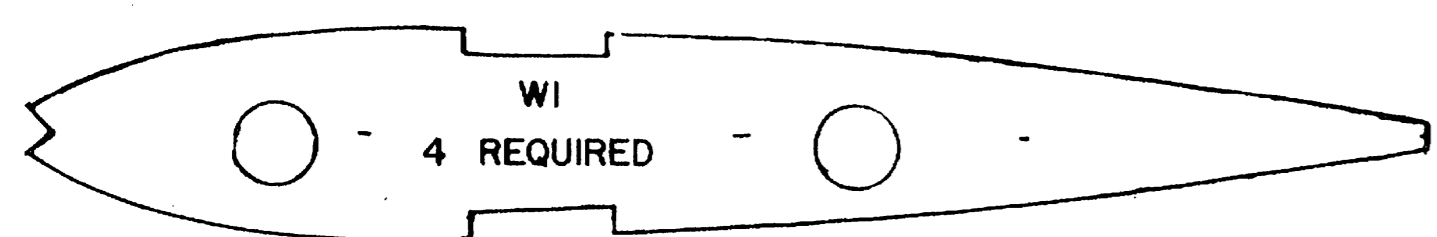
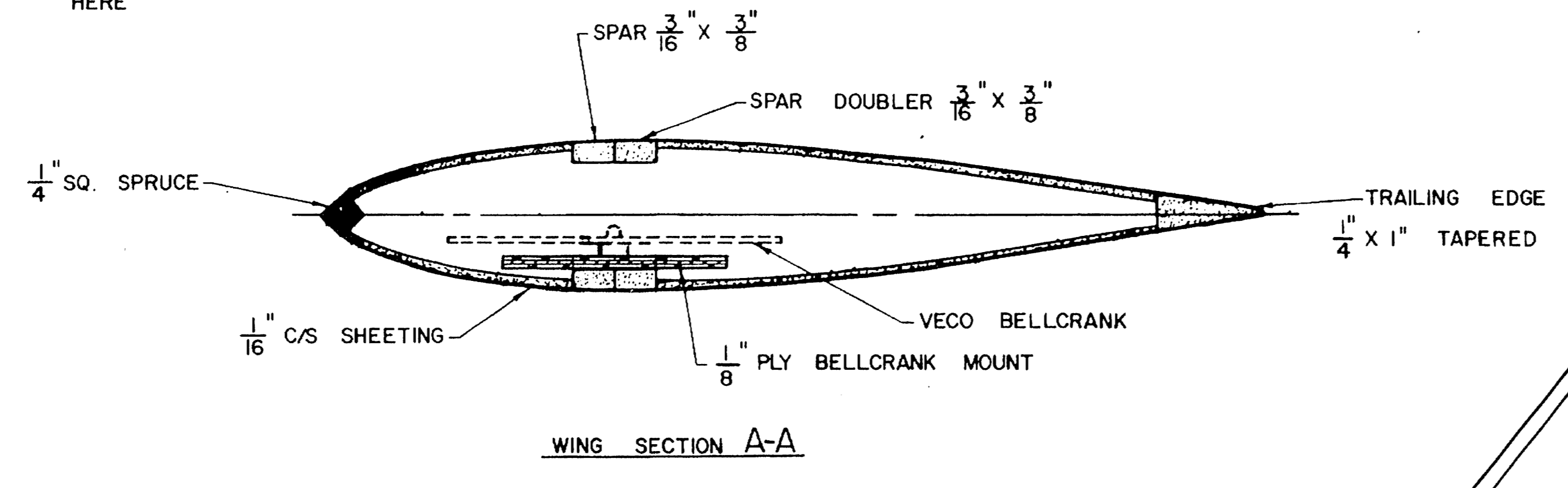
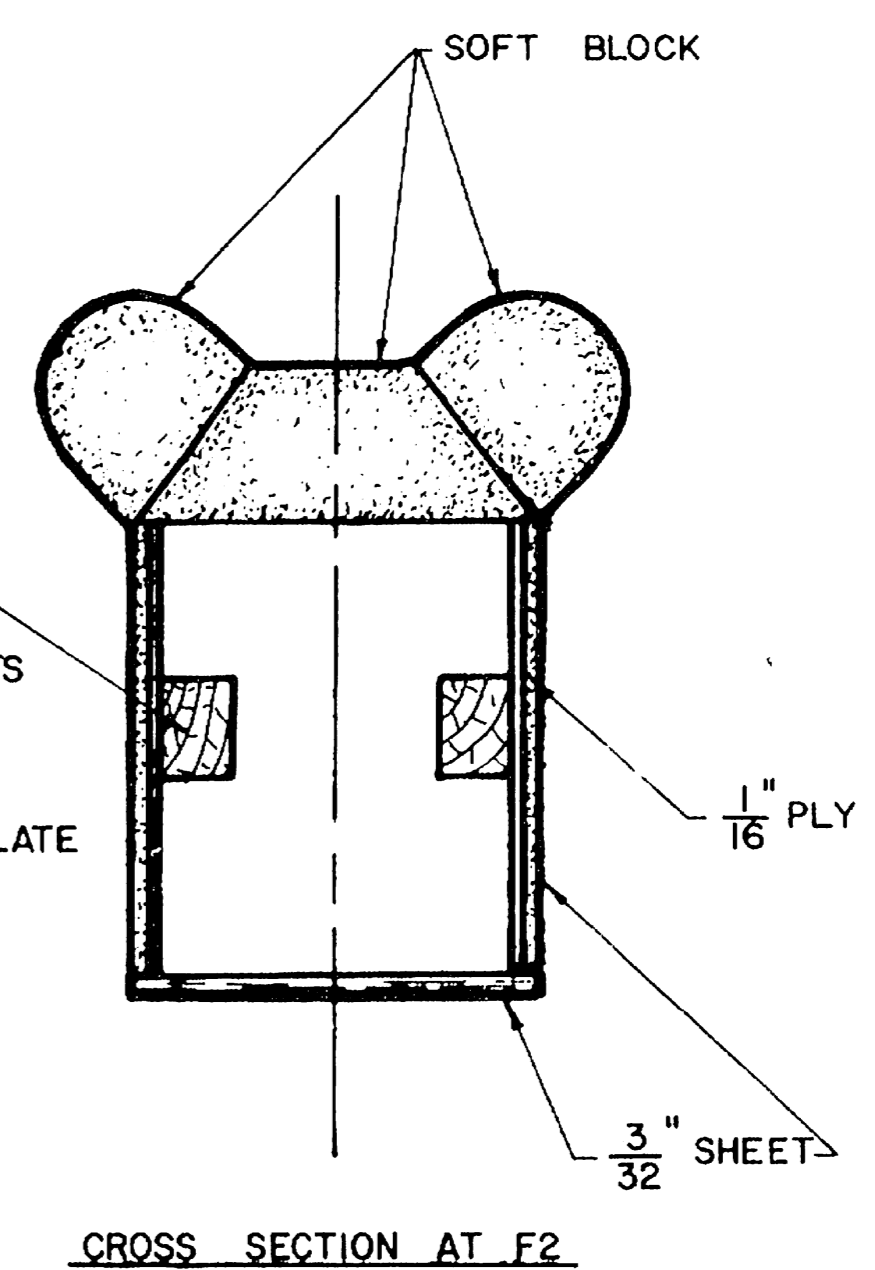
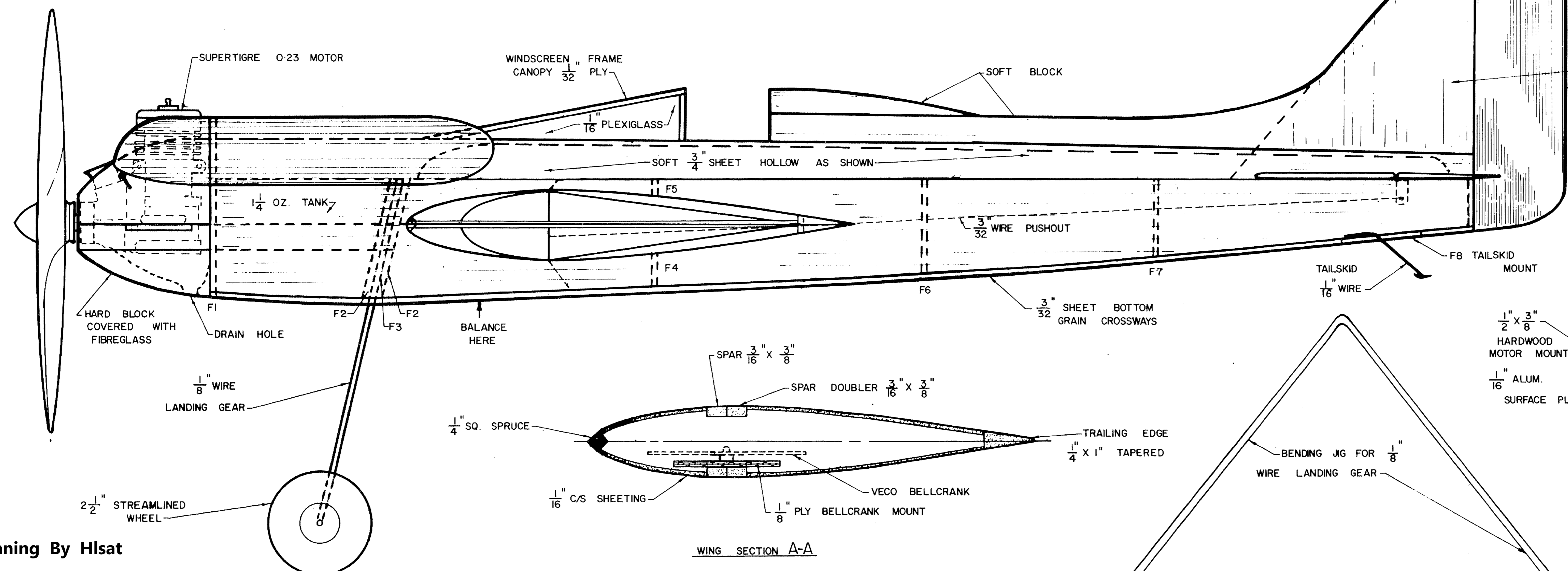
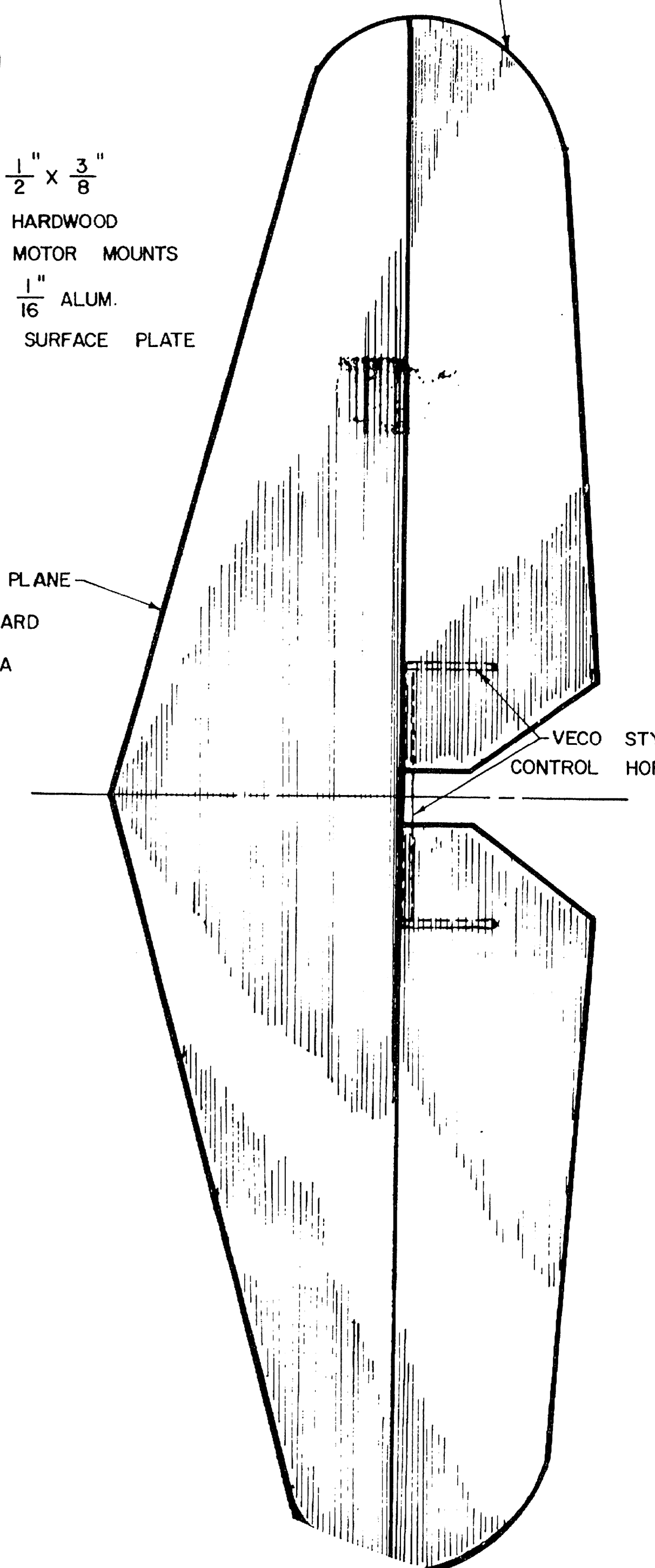
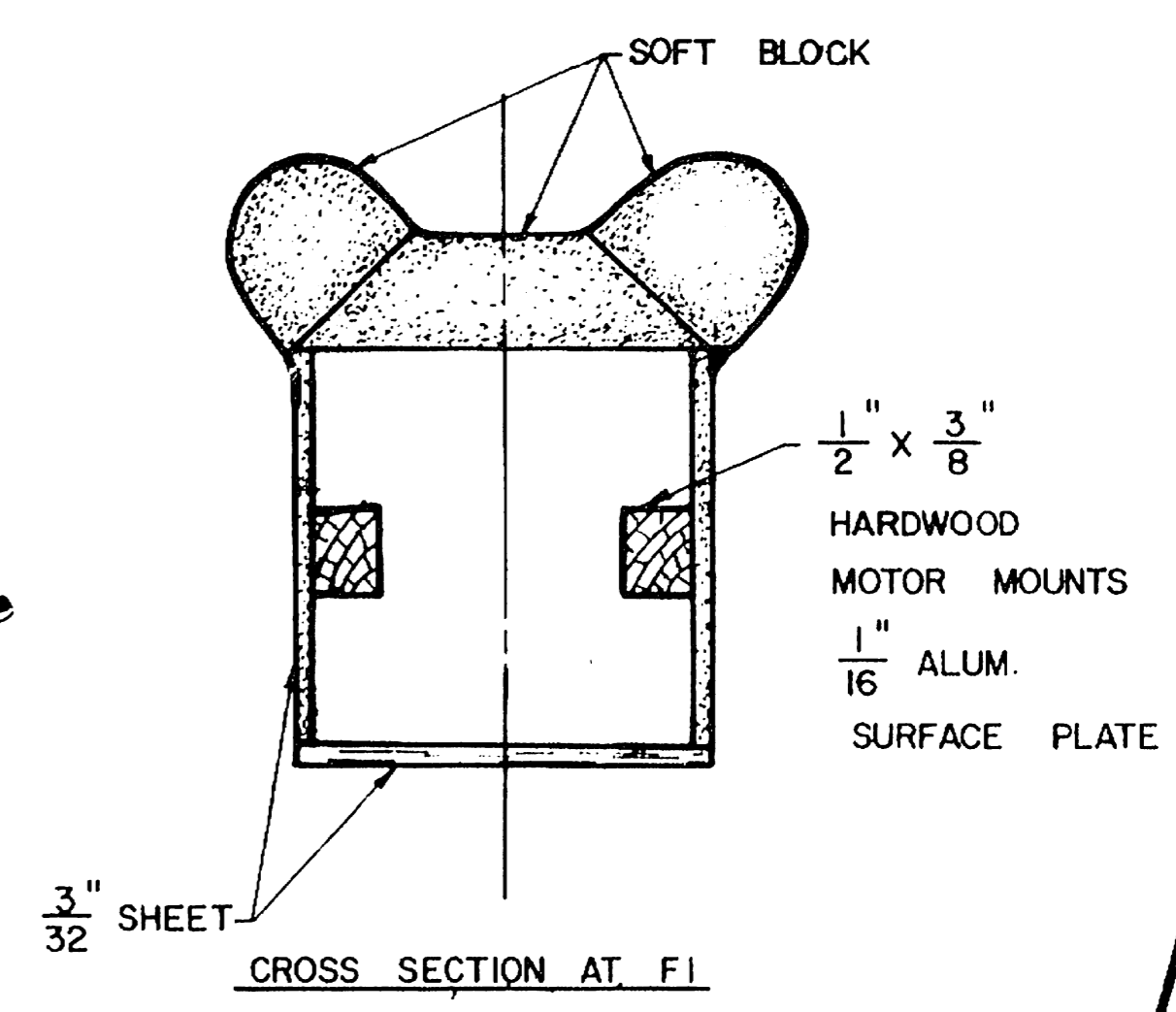
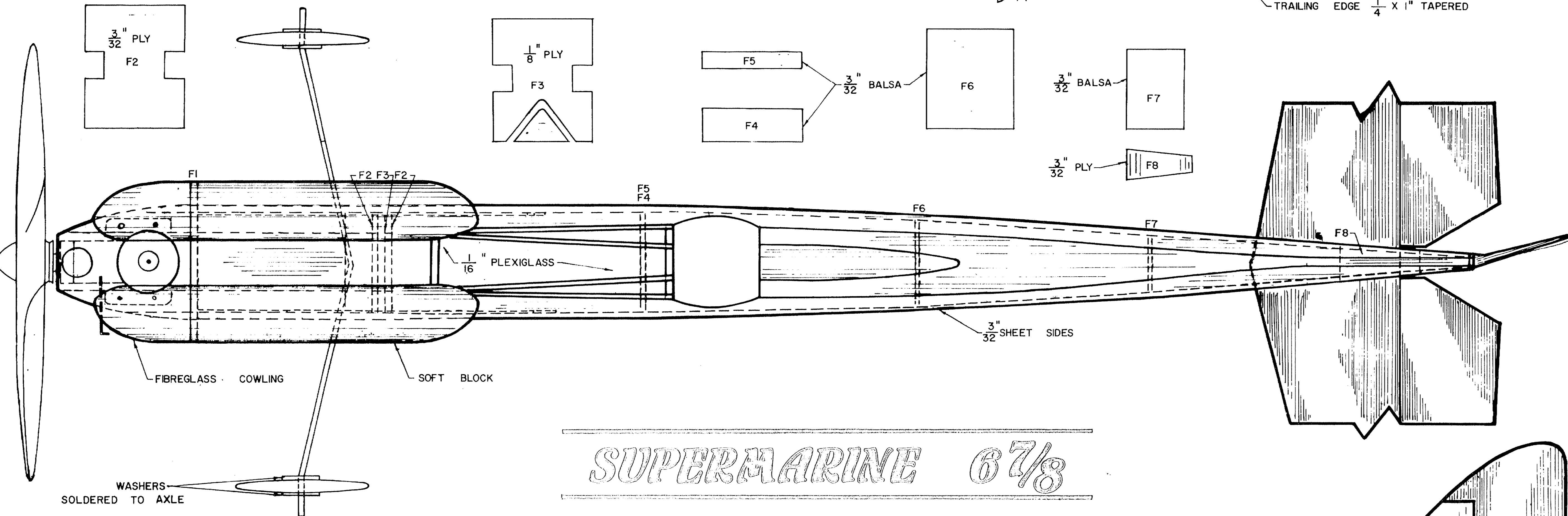
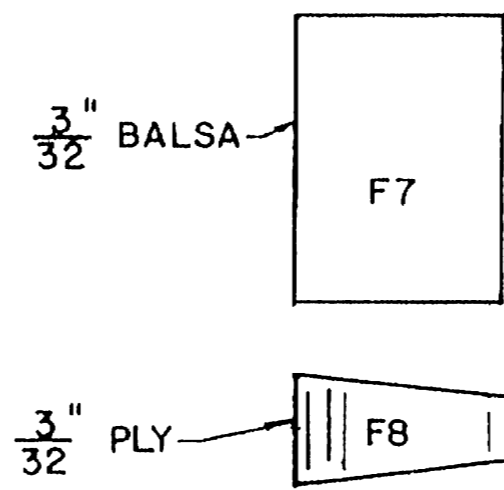
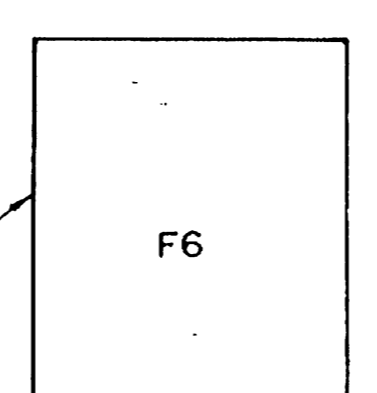
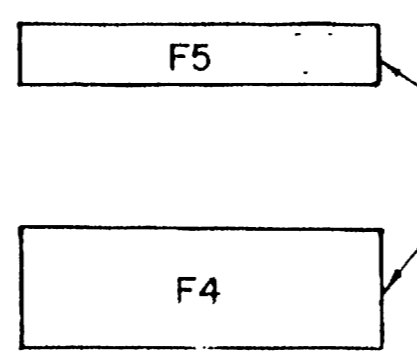
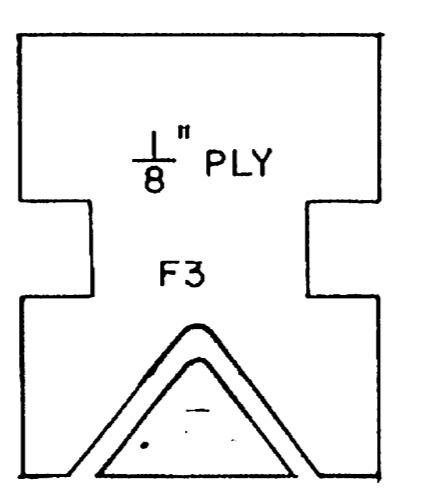
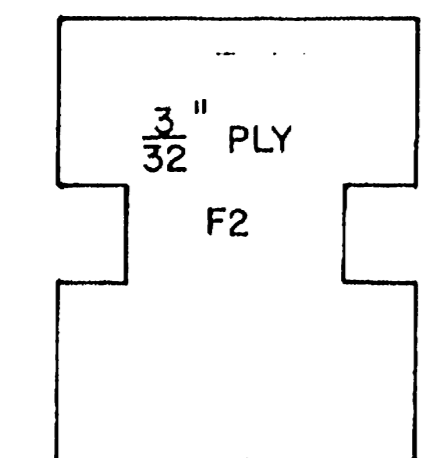
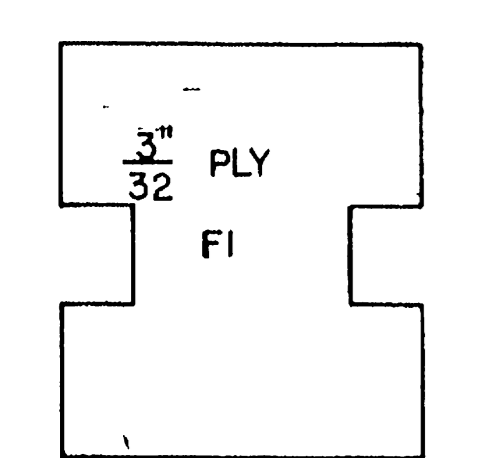
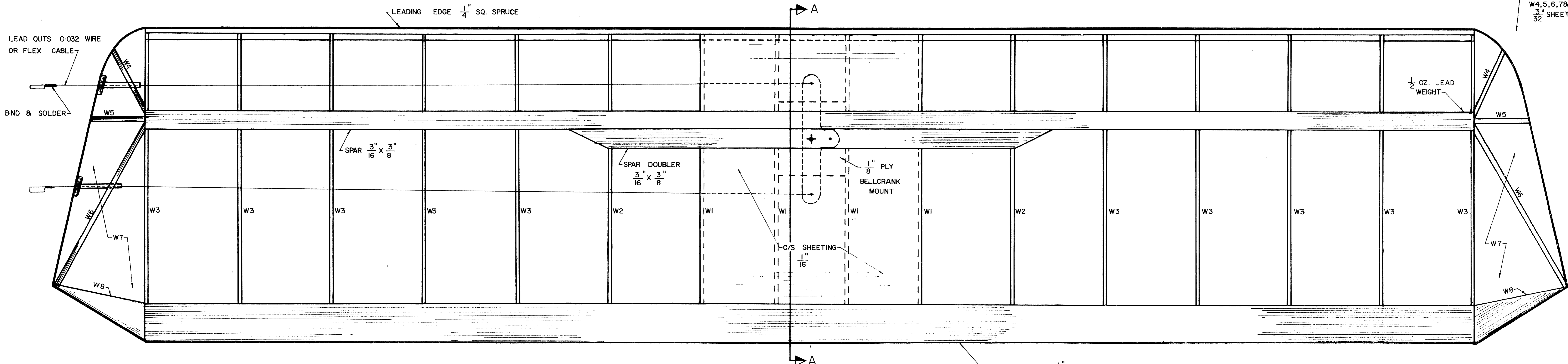


CUT HOLES FOR LEADOUTS ON INSIDE WING ONLY



WING TIP PIECES
W4, 5, 6, 7, 8
3/32 SHEET



NOTES
ALL WOOD BALSAL UNLESS OTHERWISE SPECIFIED
DESIGNED BY JACK HUMPHREYS
DRAWN BY ANNE STEVENSON