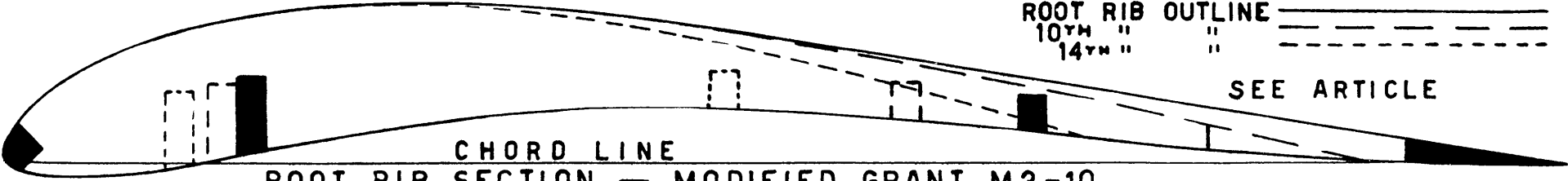
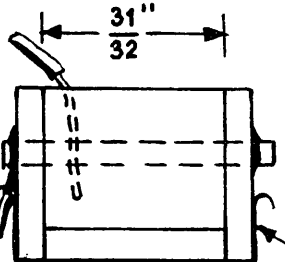
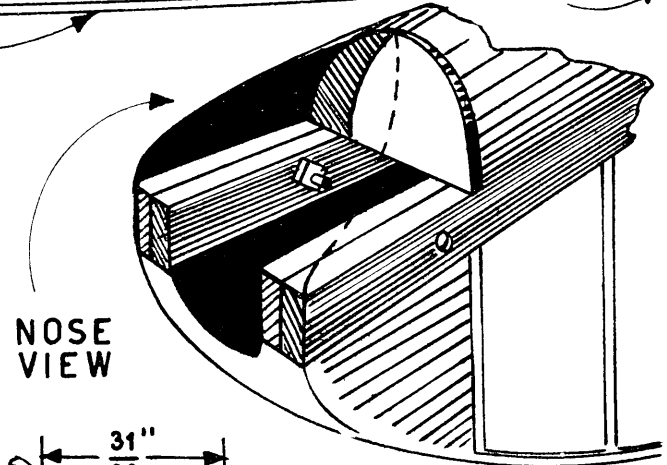
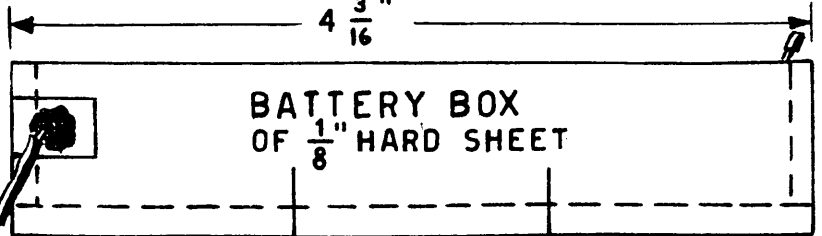
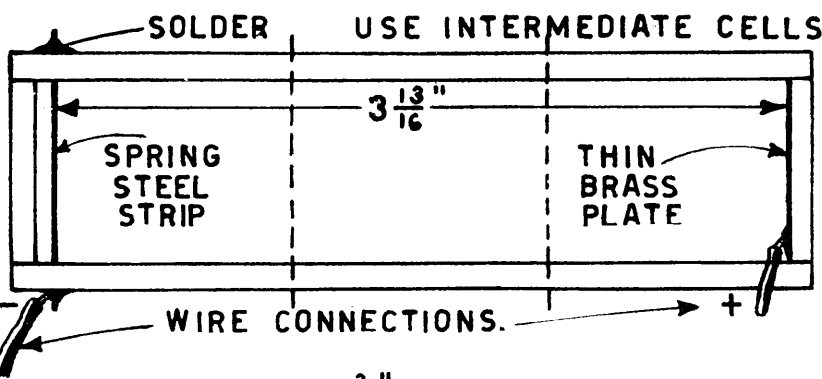


ROOT RIB OUTLINE
 10TH " " " " " "
 14TH " " " " " "

SEE ARTICLE

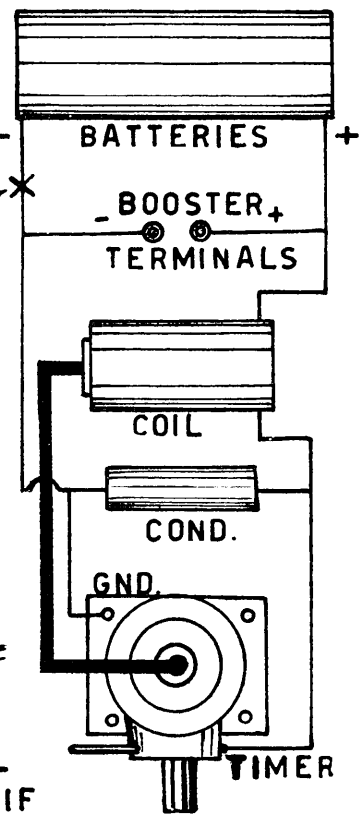


CHORD LINE
 ROOT RIB SECTION — MODIFIED GRANT M2-10
 DOTTED LINES SHOW HOW TO DERIVE THE OTHER RIB SECTIONS



CIRCUIT DIAGRAM

TIMER



USE REMOVABLE INNER MOUNTS FOR SMALL MOTORS. INSTALL THIRD SET IF NECESSARY TO FIT MOTOR.
 OUTSIDE MOUNTS FOR $\frac{1}{5}$ HP MOTORS.