

8" x 3/4" LEADING EDGE

FUSELAGE  
FAIRING  
BLOCK

WING

PLAN

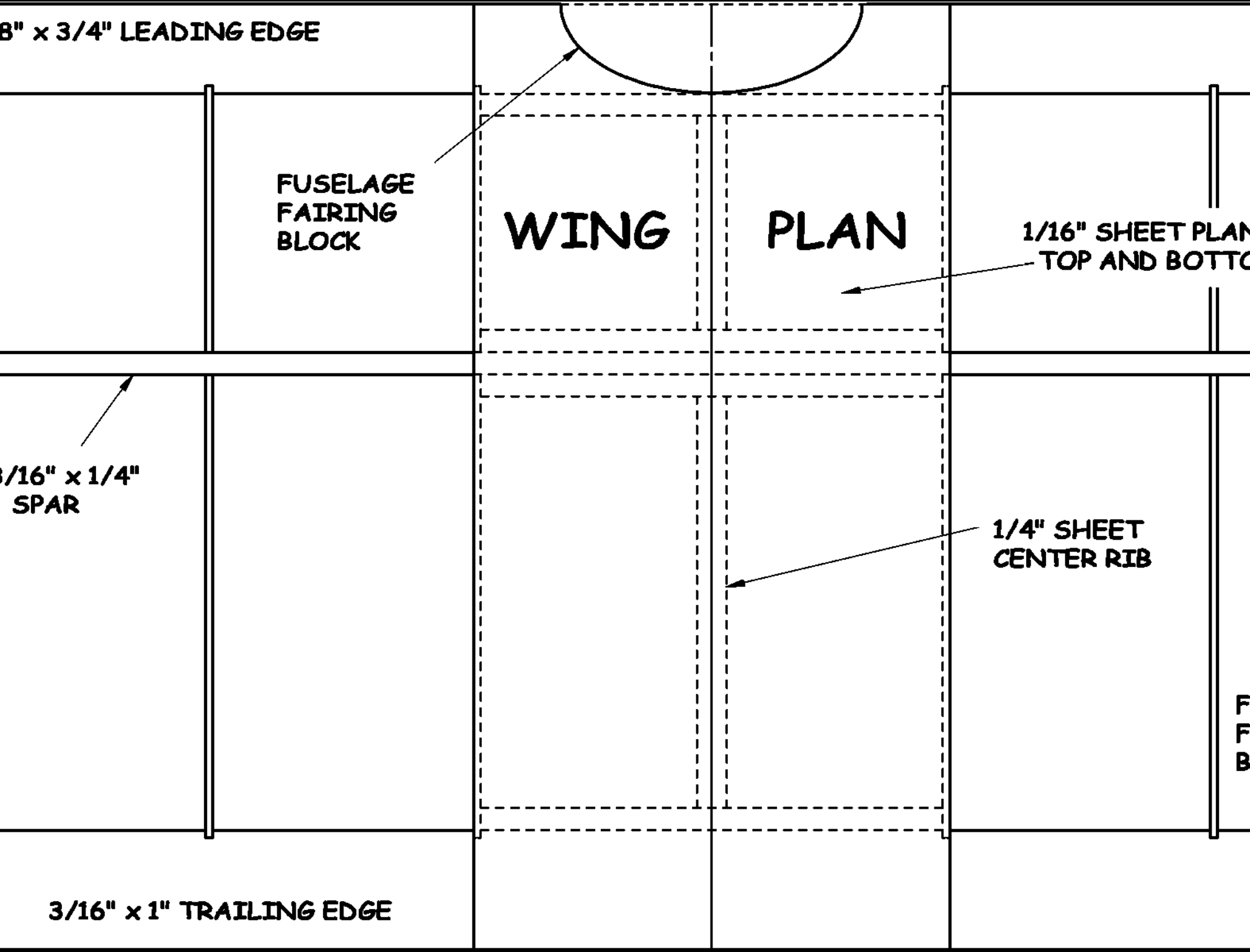
1/16" SHEET PLAN  
TOP AND BOTTOM

3/16" x 1/4"  
SPAR

1/4" SHEET  
CENTER RIB

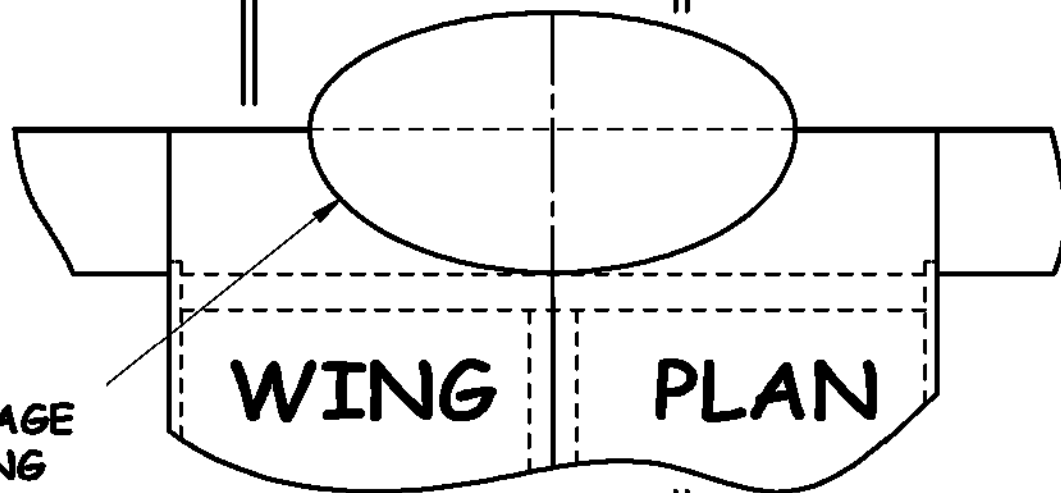
3/16" x 1" TRAILING EDGE

F  
F  
B

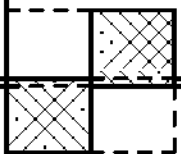


ANKING  
DM

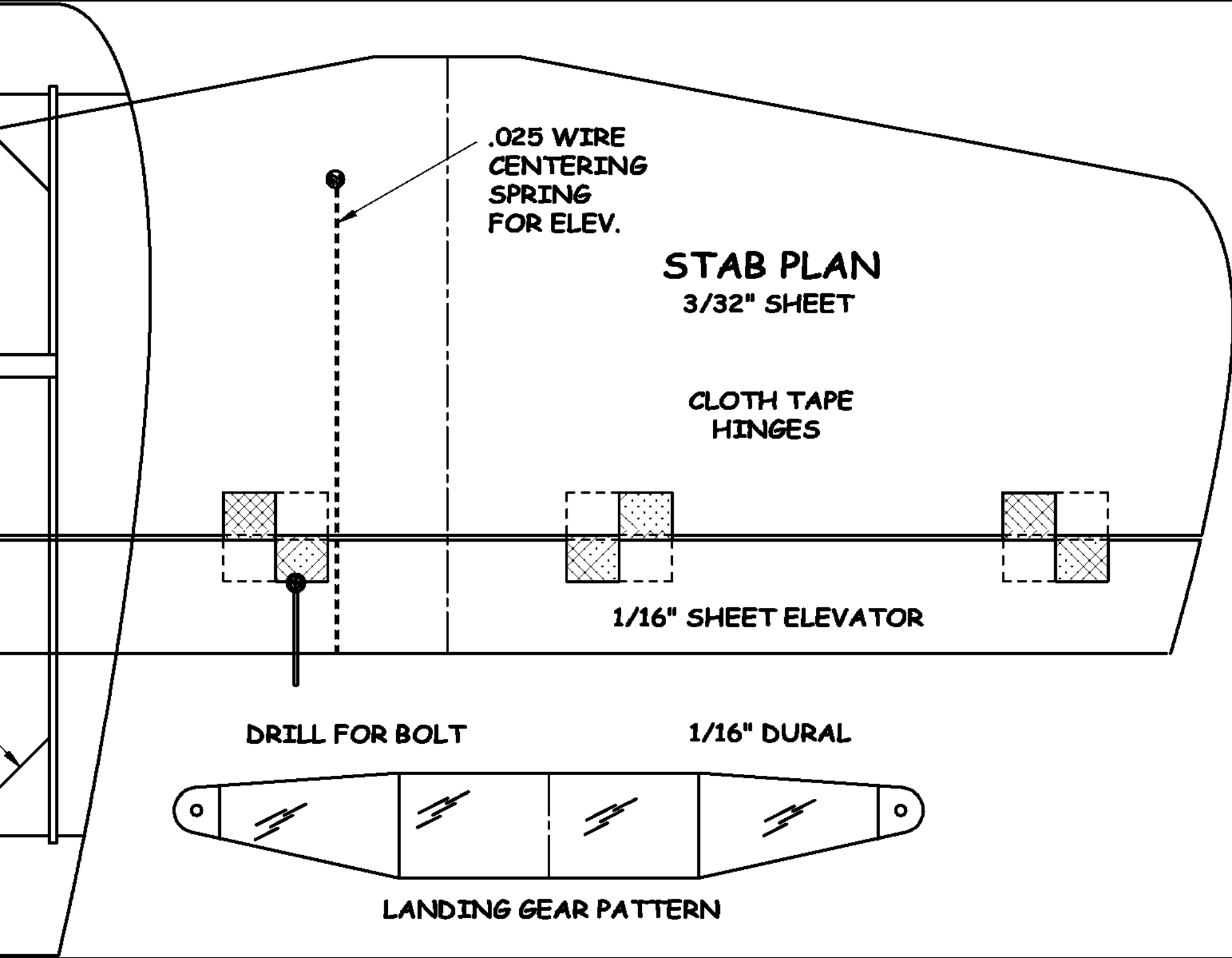
1/16" SHEET  
RIBS

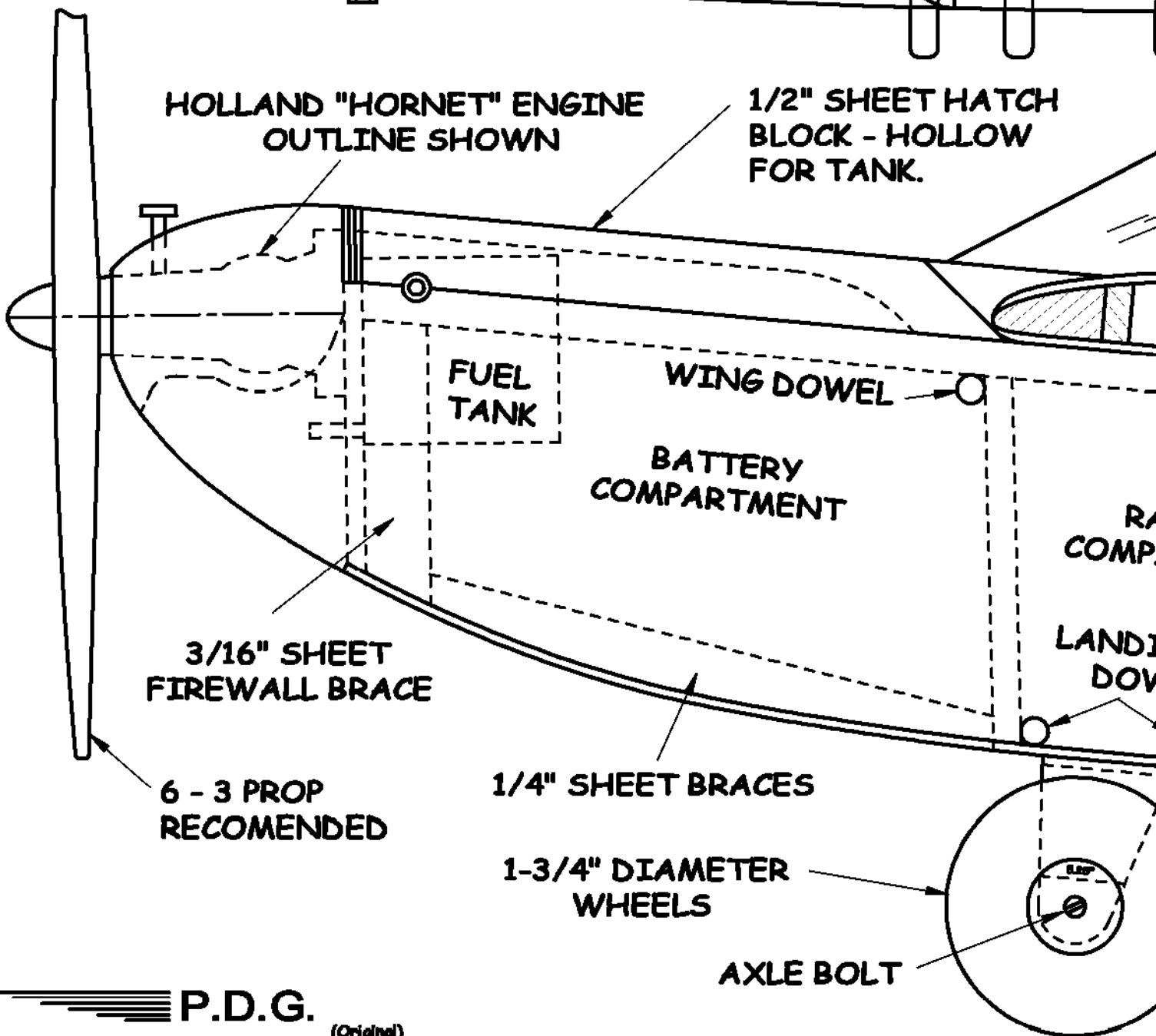
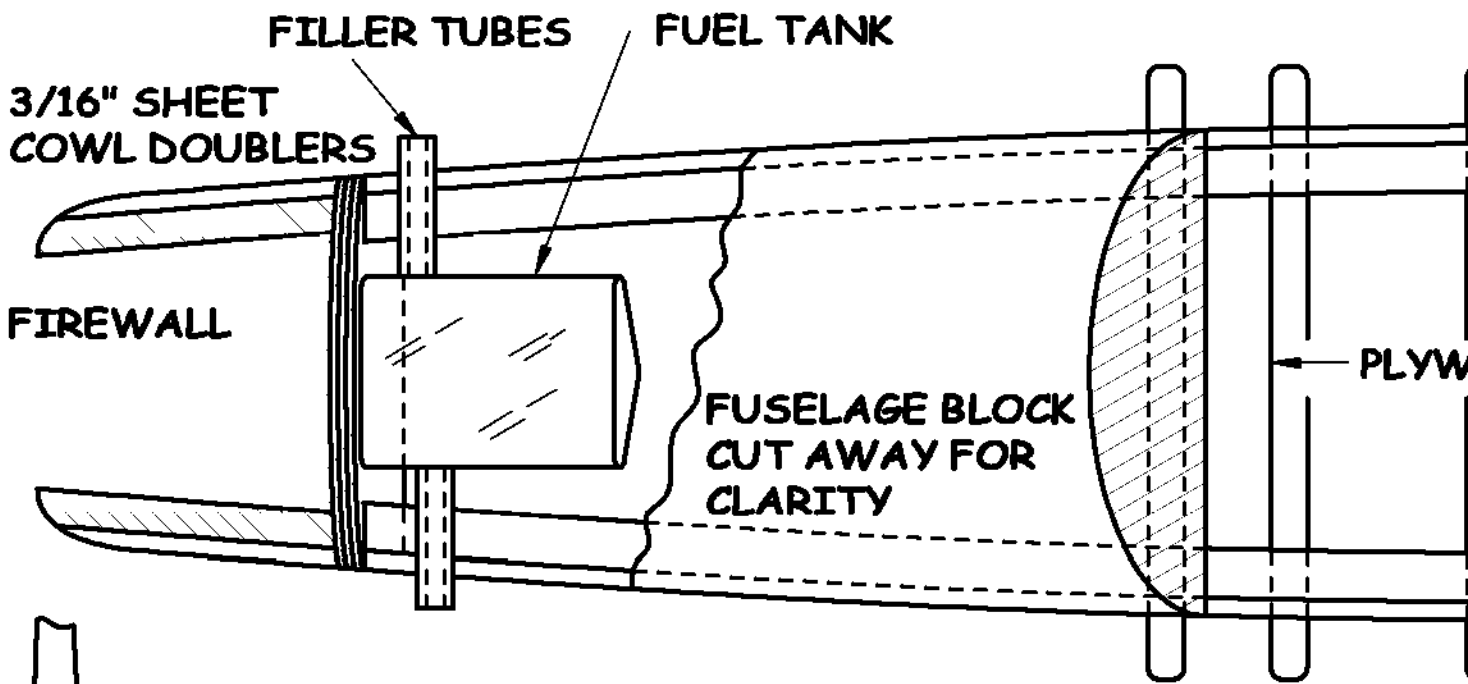


USELAGE  
AIRING  
LOCK



1/4" SHEET  
GUSSETS





3/16" DIAMETER WING AND LANDING GEAR DOWELS

TH

WOOD

# FUSELAGE TOP VIEW

1/16" SHEET TOP (CR)

COMMERCIAL CANOPY AND PILOT HEAD

14 RE

@ 1/

BALSA HEADREST

1/8" SHEET FAIRING

C.G.

RADIO DEPARTMENT

LANDING GEAR DOWELS

WING

# FUSELAGE S

STANDARD 3 POSITION CAN BE USED

3/

1/16" PLYWOOD LANDING GEAR BEARING MOUNT

BABCOCK ESCAPEMENT (MODIFIED FOR 4 POSITION ACTION)

1/16" SHEET BOTTOM (C)

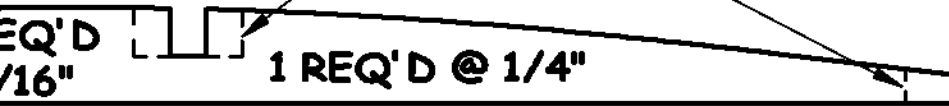
# THE SCORCHER

Designed By:  
KEN WILLARD

SHEET FUSELAGE  
(CROSS GRAIN)

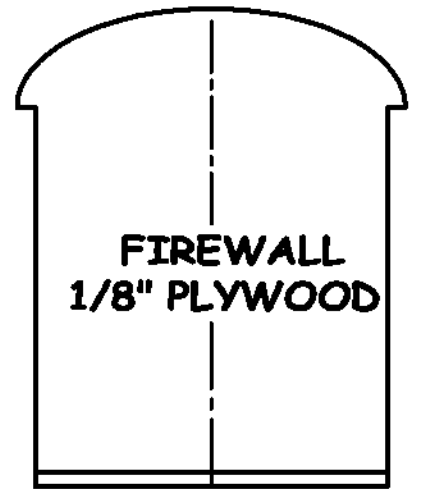
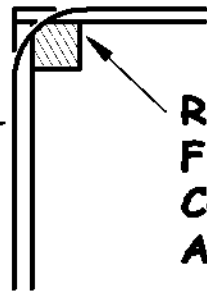
CENTERSECTION  
RIBS ONLY

3/32" SQ. FIN BRACES



## RIB LAYOUT

FUSELAGE  
SECTION DETAIL



NOT

G DOWEL

## SIDE VIEW

3/32" SHEET FUSELAGE SIDES

1/4" SQ. LONGERONS

3/16" SQ.  
TORQUE RODS

3/16" SQ. BRACE

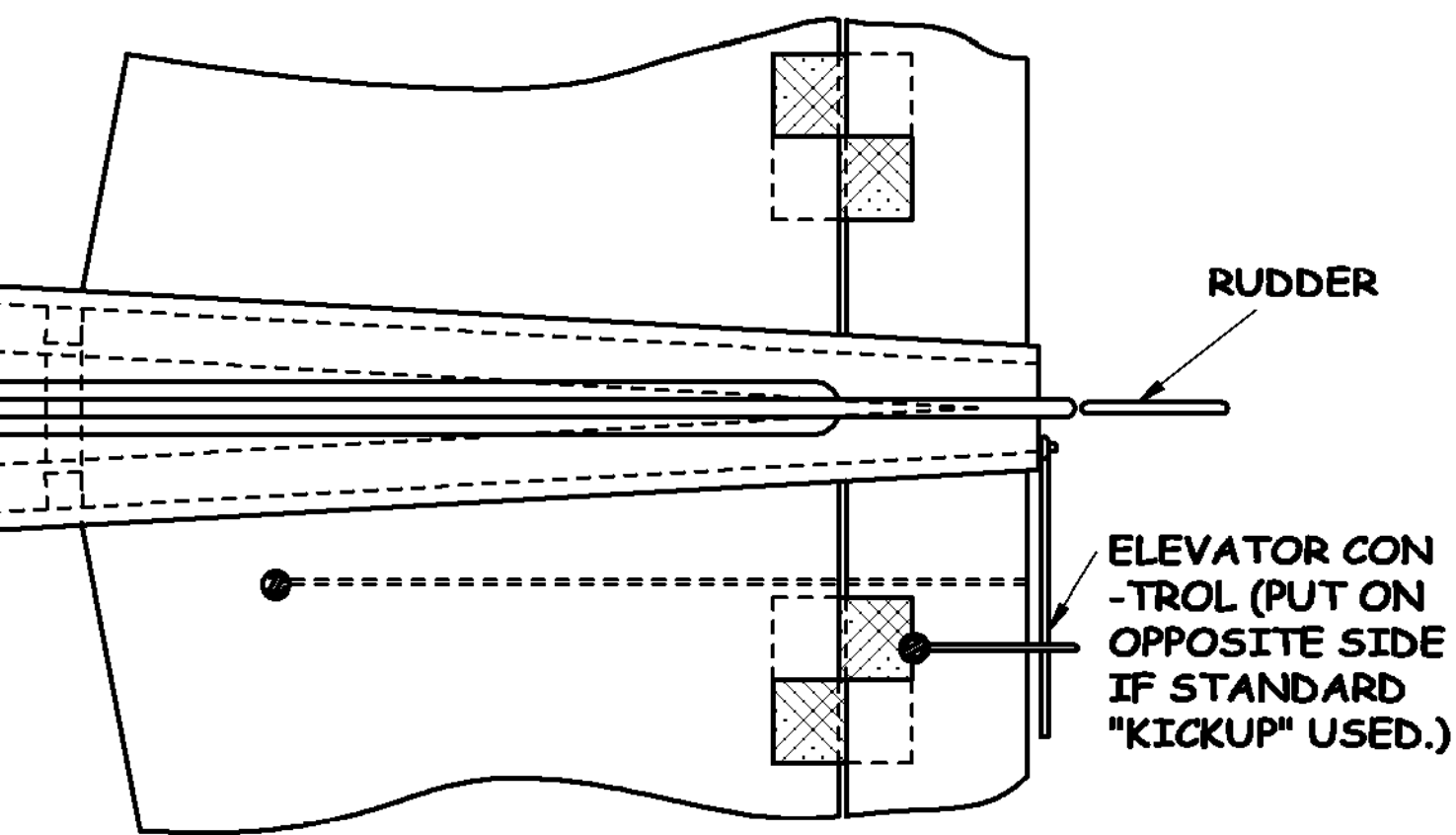
SHEET FUSELAGE  
(CROSS GRAIN)

SCALE IN INCHES

3/64" DIAMETER WIRE S

0 1 2 3 4 5 6 7





NOTE: USE Balsa UNLESS OTHERWISE SPECIFIED.

