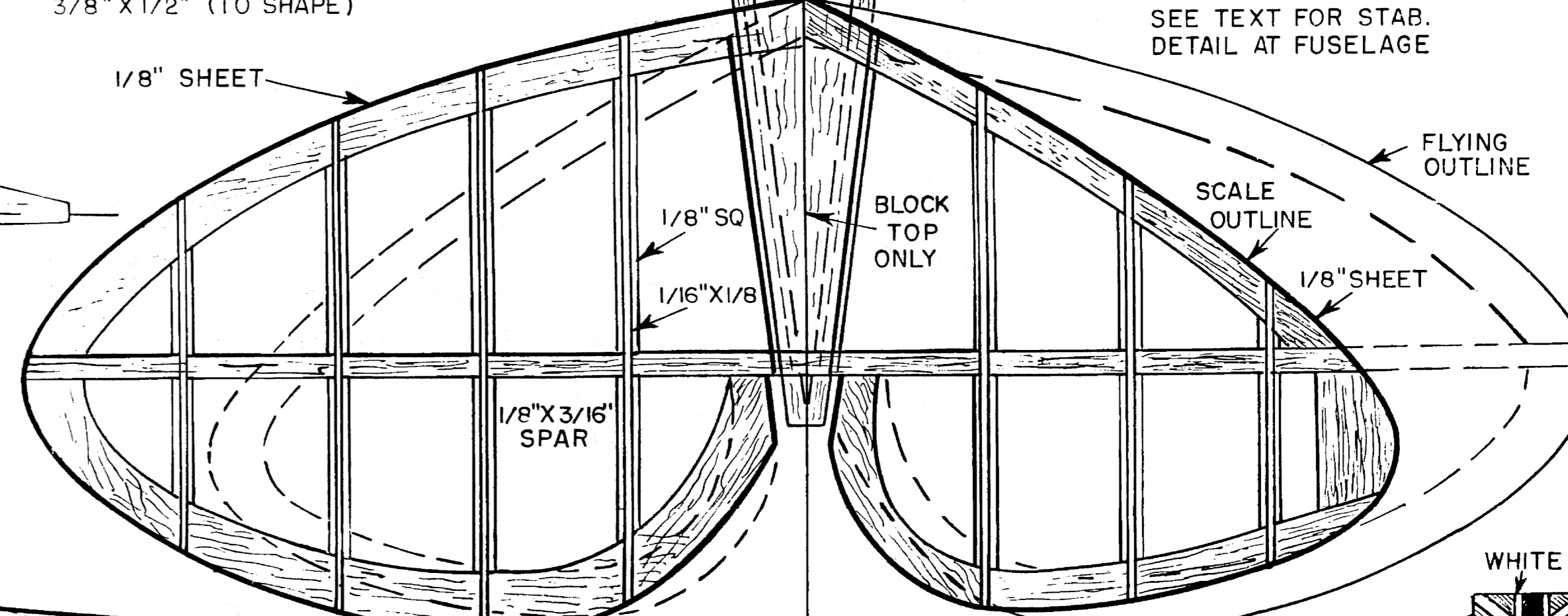
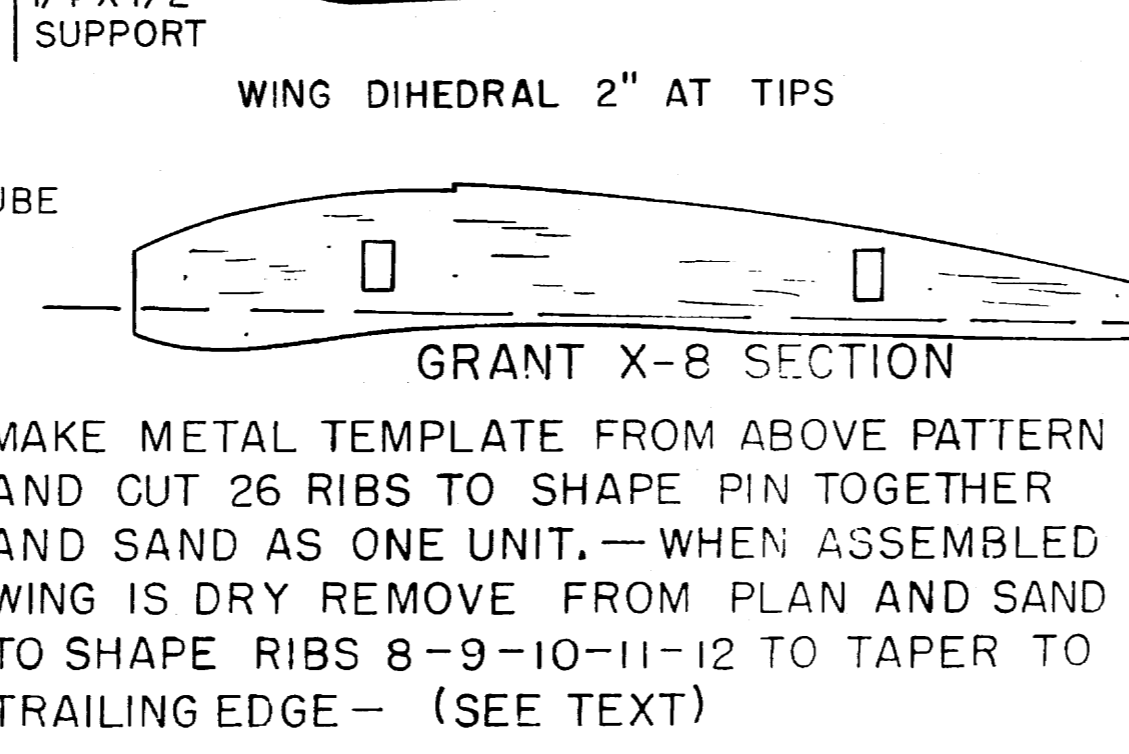
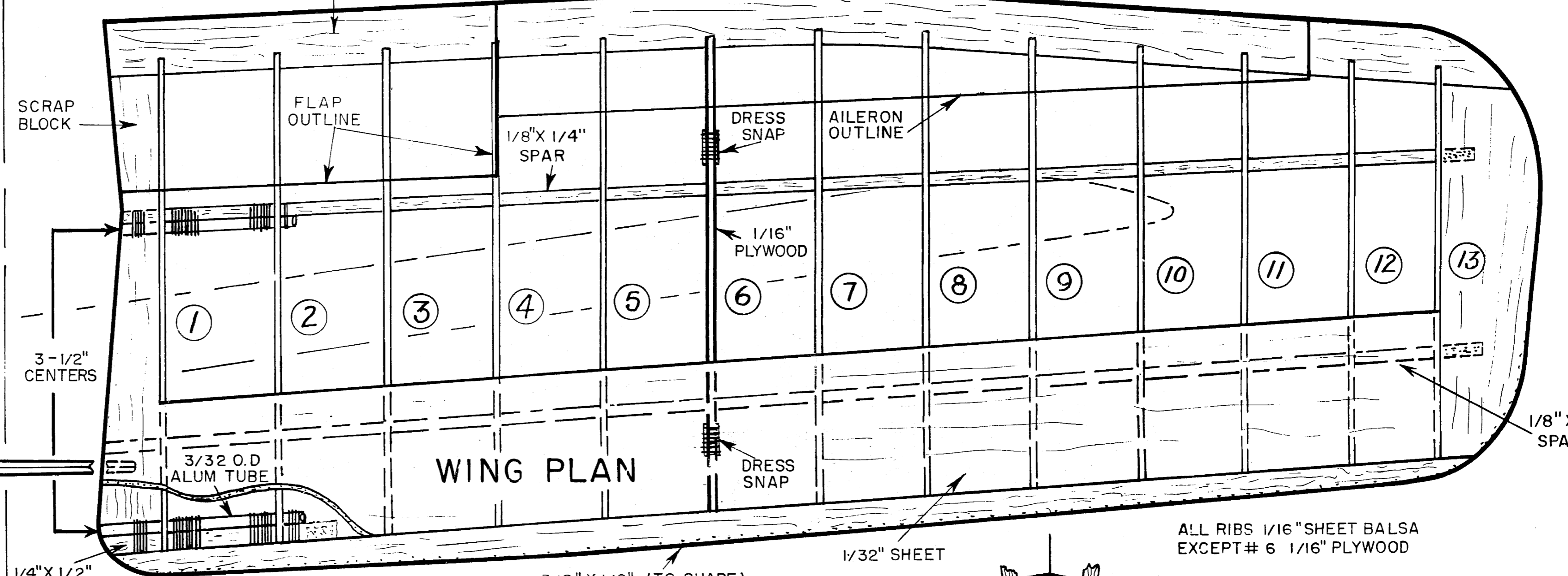
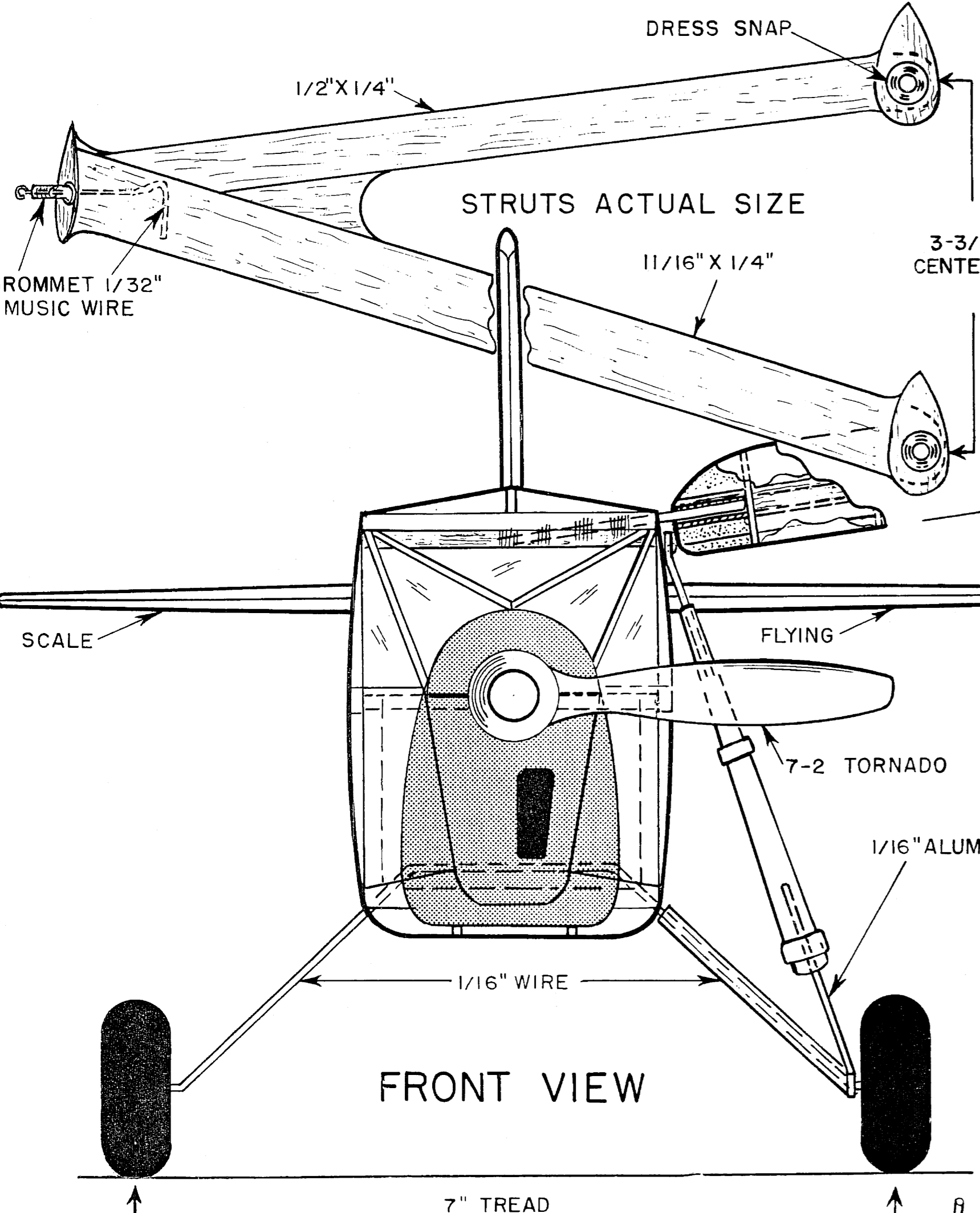
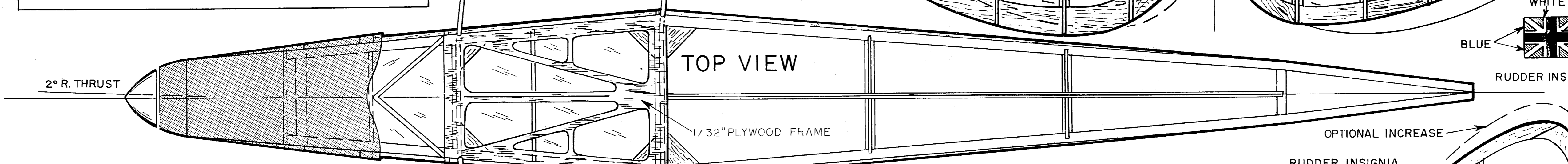


3/16" X 5/8" SHEET CUT TO SHAPE

WING LETTERS (BLACK)

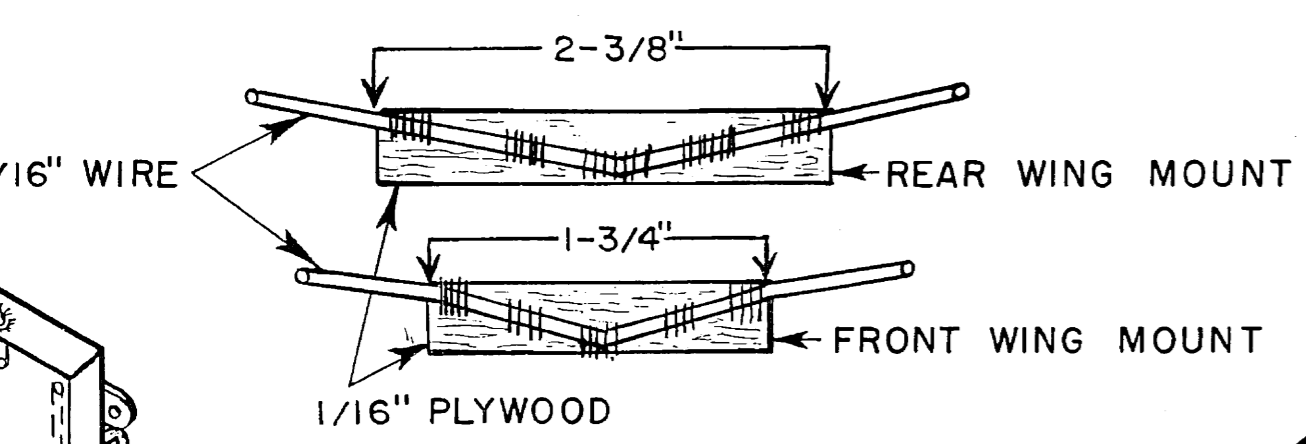


G
A
B
X
Y
-
G A
B X
Y



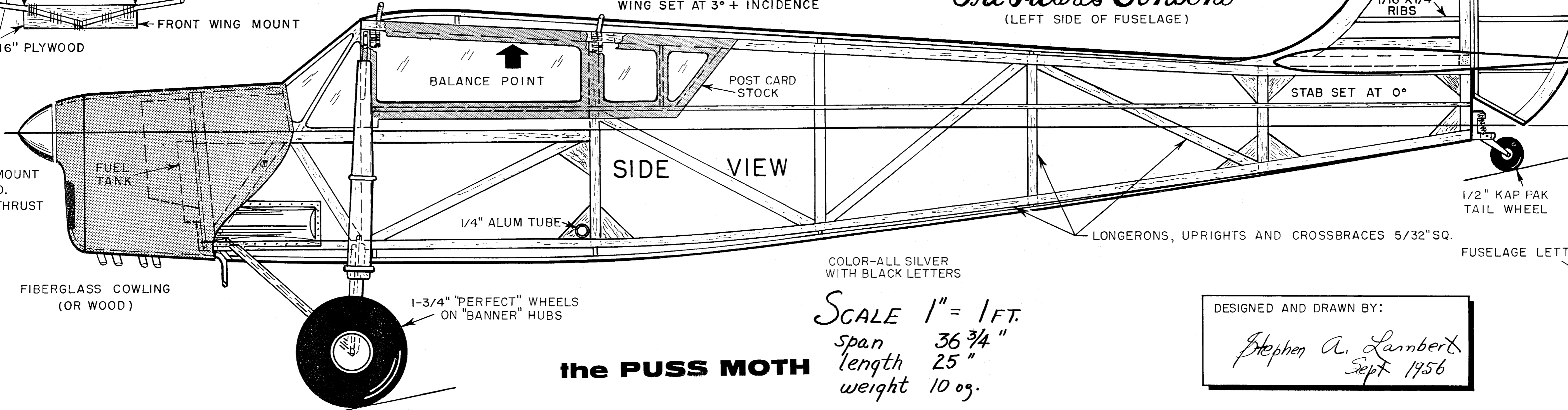
CAPT JAMES A. MOLLISON'S - FIRST EAST TO WEST ATLANTIC OCEAN CROSSING DeHAVILAND PUSS MOTH - 1932

The Heart's Content
(LEFT SIDE OF FUSELAGE)



TANK DETAIL NOT TO SCALE

ALUM. OR PLYWOOD MOUNT TO FIT ENGINE USED. ANY .049, 4° DOWN THRUST SHOWN.



COLOR - ALL SILVER WITH BLACK LETTERS
SCALE 1" = 1 FT.
span 36 3/4"
length 25"
weight 10 oz.

DESIGNED AND DRAWN BY:
Stephen A. Lambert
Sept 1956

the PUSS MOTH