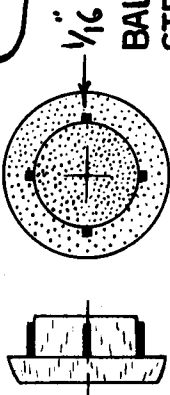


NOSE PLUG



1/16 BALSAM STRIP

3/32 REED

STRUT-S
2-(REQ.)

1/16 SHEET

MAIN LONGERON NOTCH

LOWER BODY FORMERS

1/16 SQ.

R-(6 REQ.)

RADIATOR

NOSE PLUG ARREST
MADE OF 1/16 SHEET

PLATE-A
NICK LIMBER

Q-(6 REQ.)

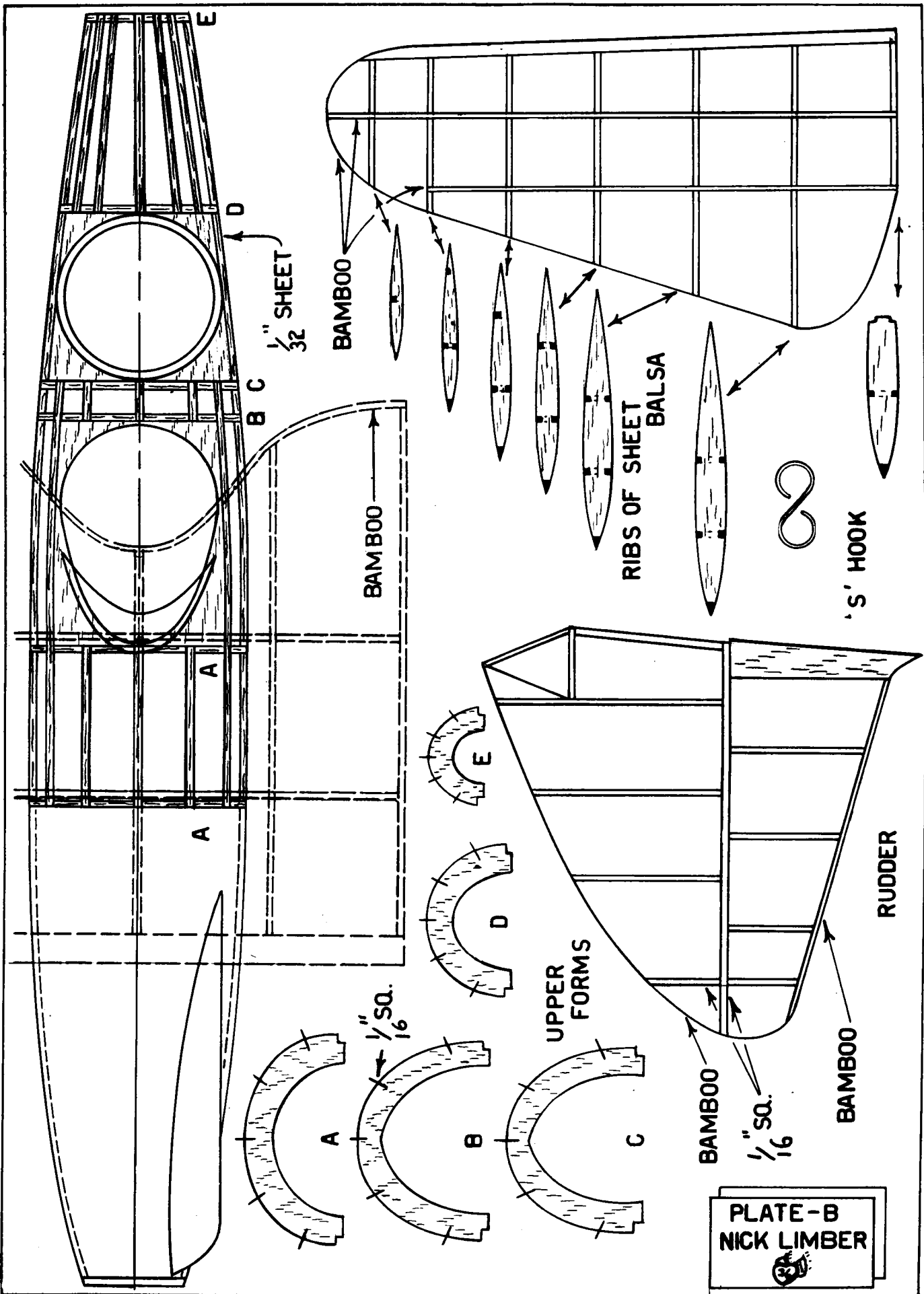
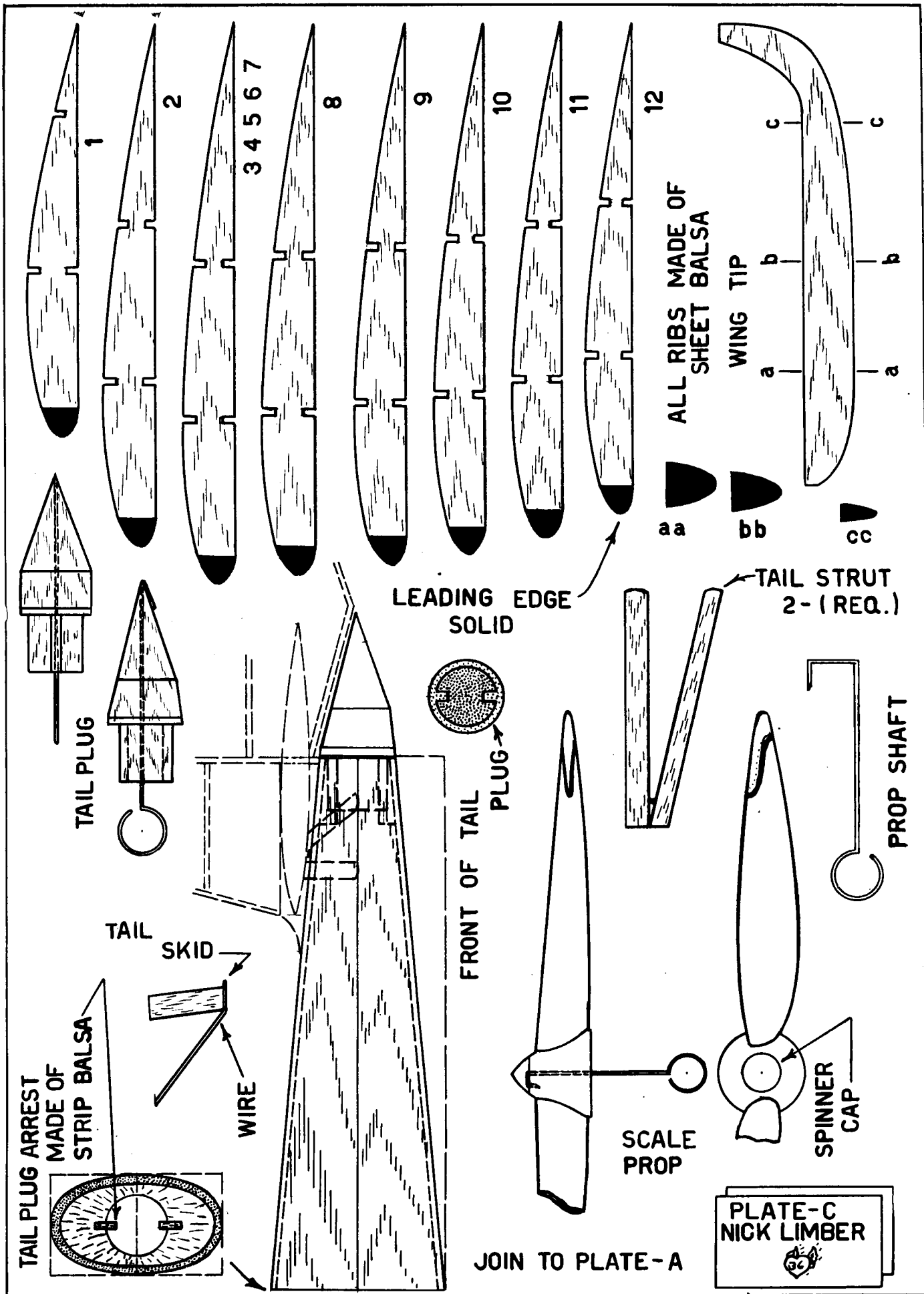
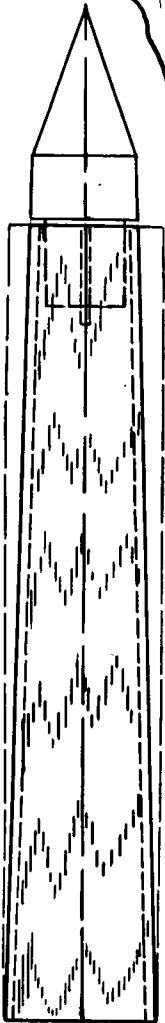


PLATE-B
NICK LIMBER



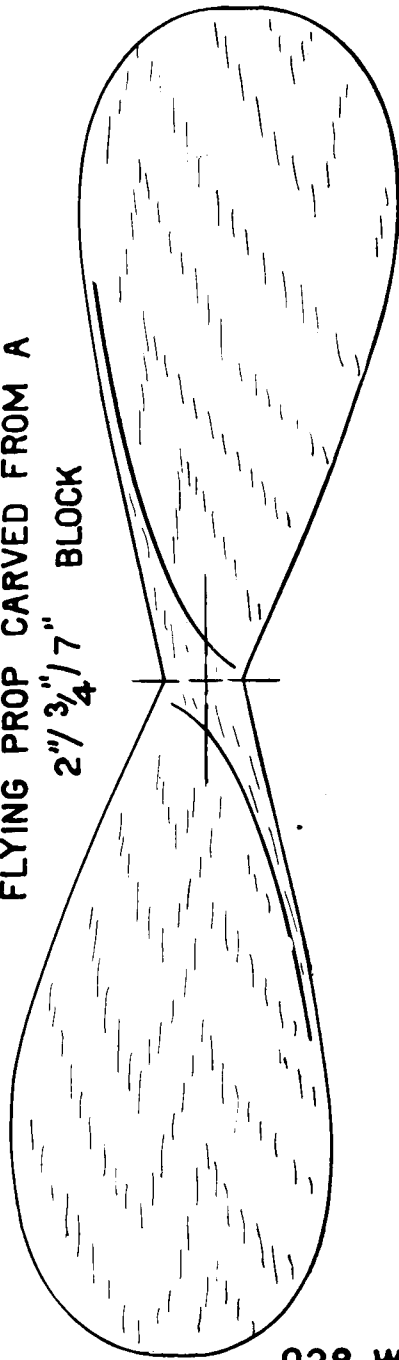
DASHED LINES SHOW SIZE OF TAIL BOOM BLOCK



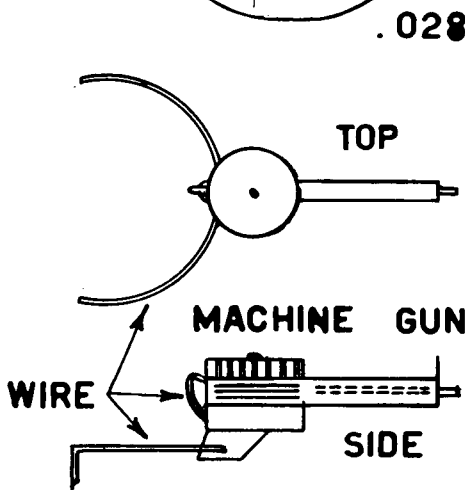
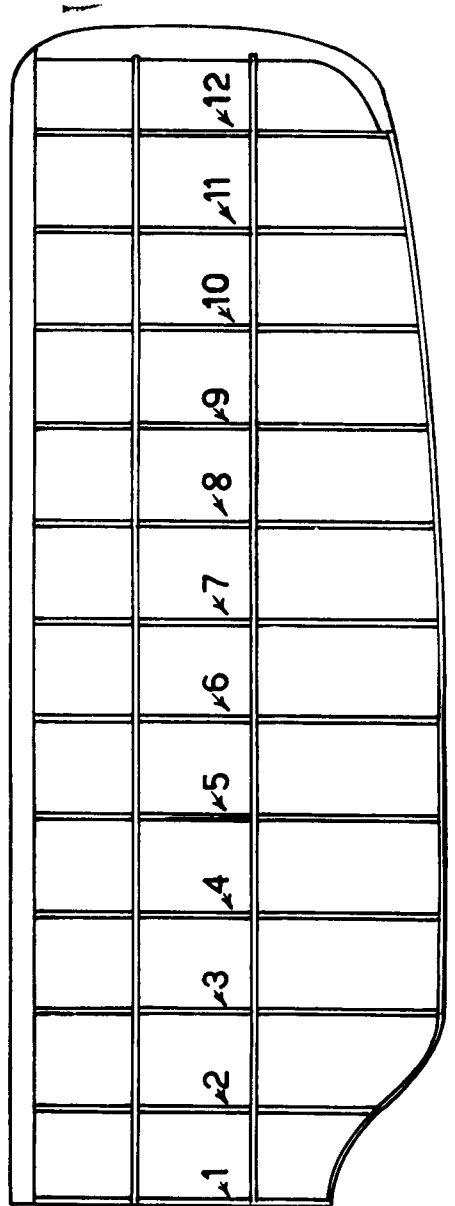
STRUT-0 (2 REQ.)



FLYING PROP CARVED FROM A
2" 3/4" 17" BLOCK



WING SCALE = 1/2" = 1"



JOIN TO PLATE B

WHEEL AND SHOCK

ABSORBER

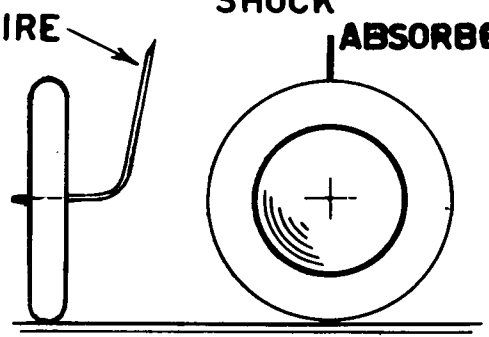


PLATE-D
NICK LIMBER

