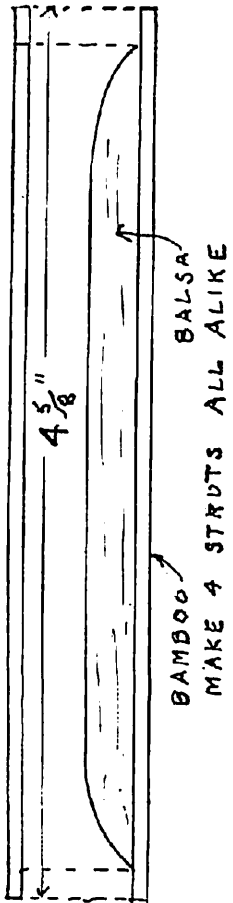
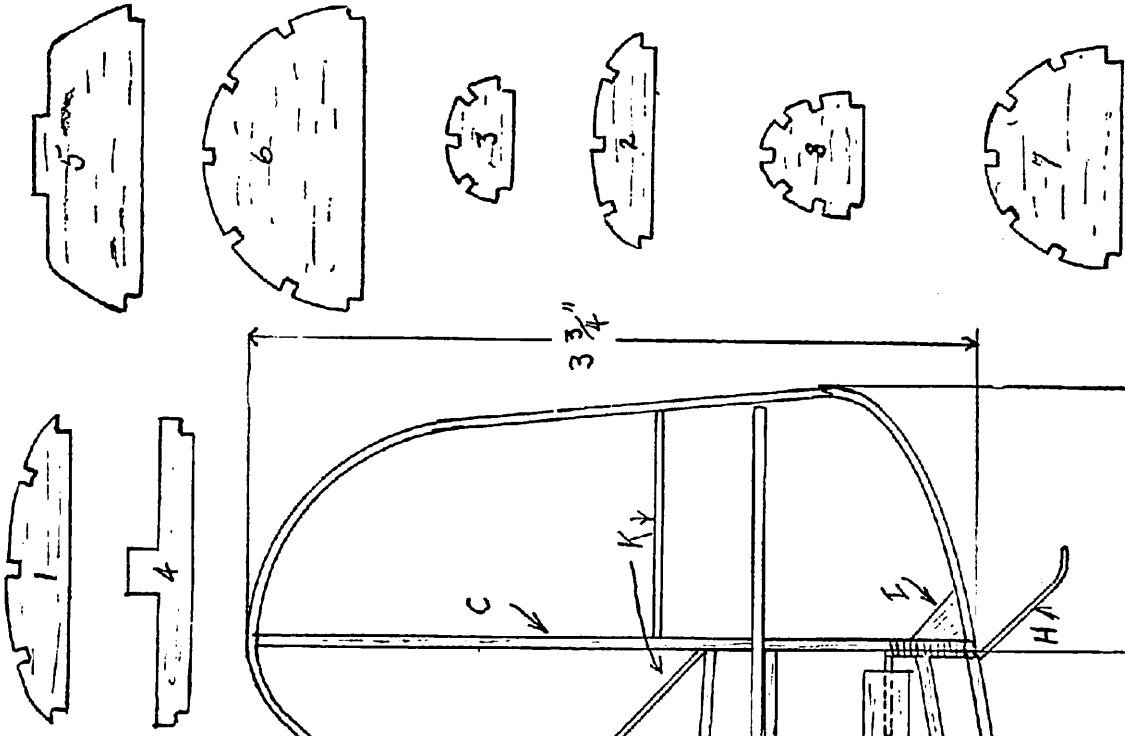


FIG 1 FULL SCALE

MAKE ONE ONLY OF ALL FORMERS
EXCEPT #1 - MAKE 4 OF THESE



JOIN F-F TO E-E
ON FIG 1

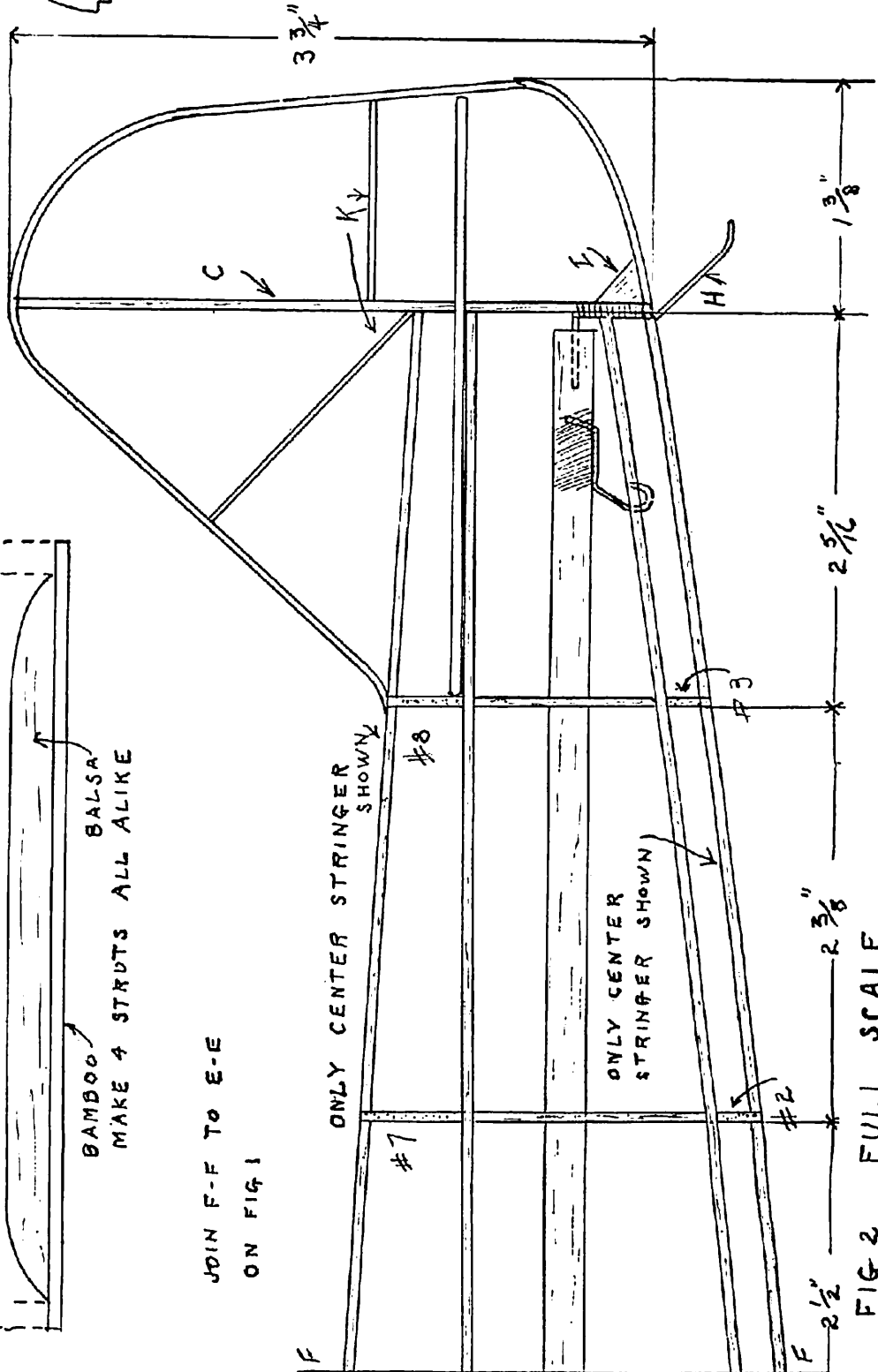


FIG 2 FULL SCALE

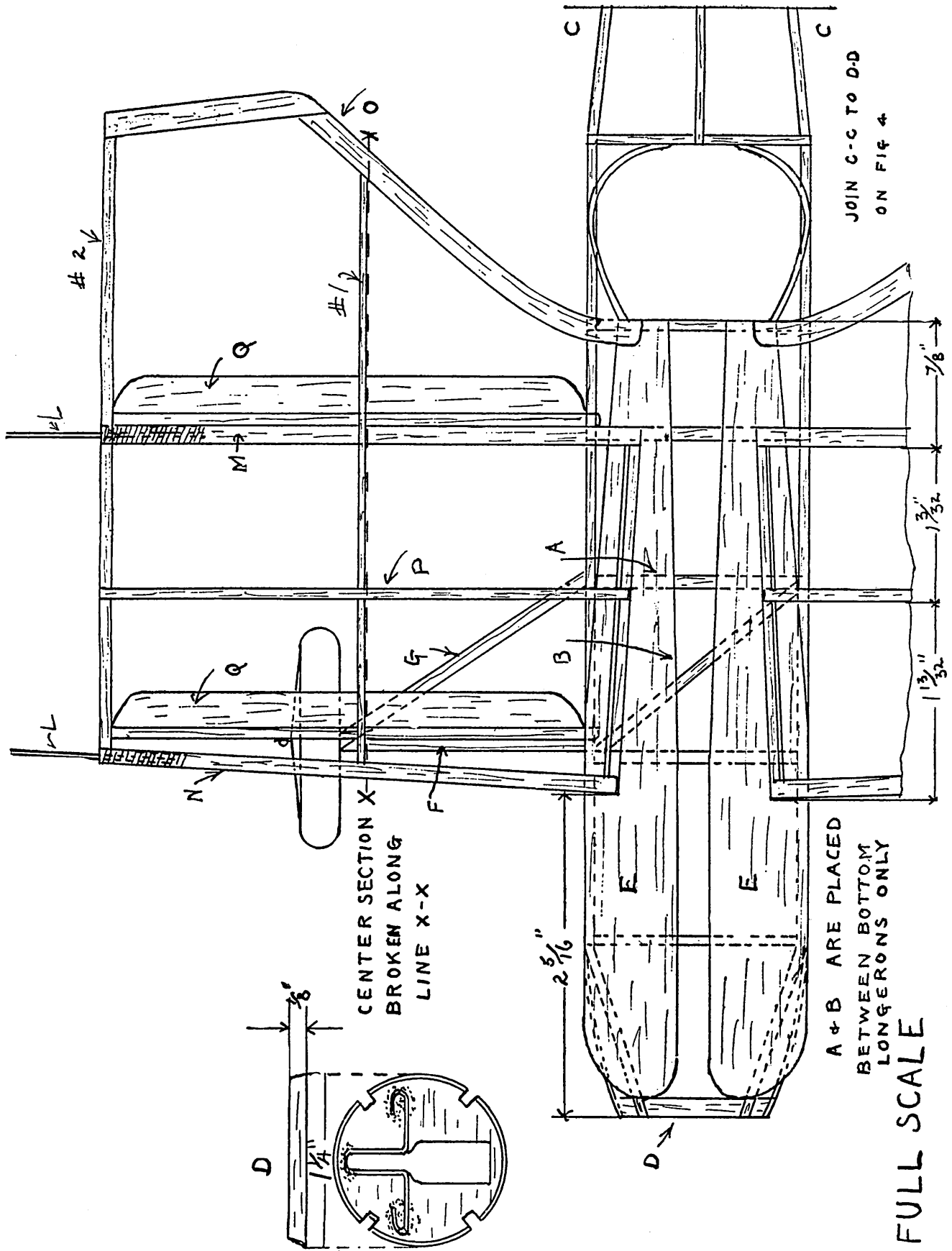


FIG 3 FULL SCALE

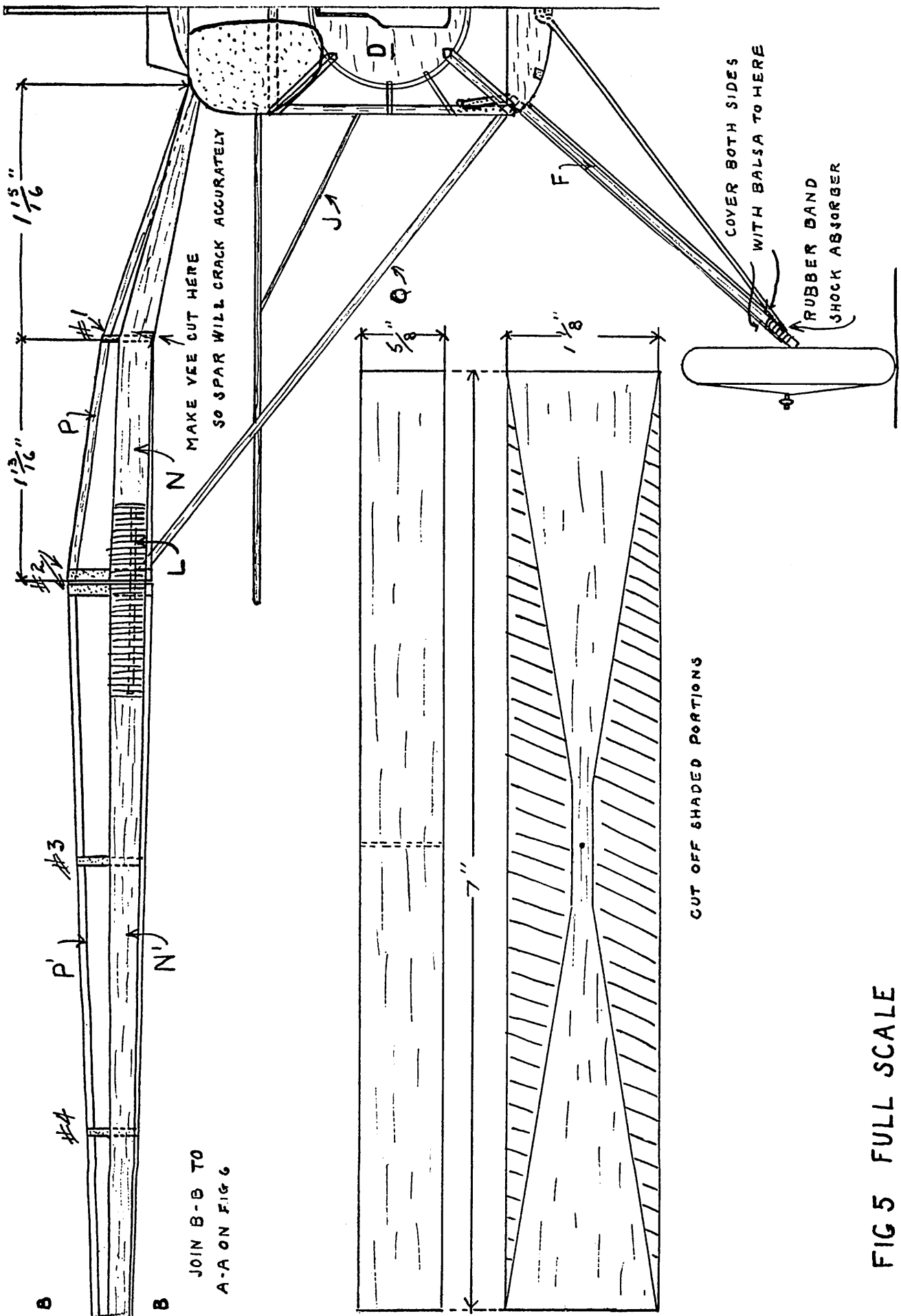
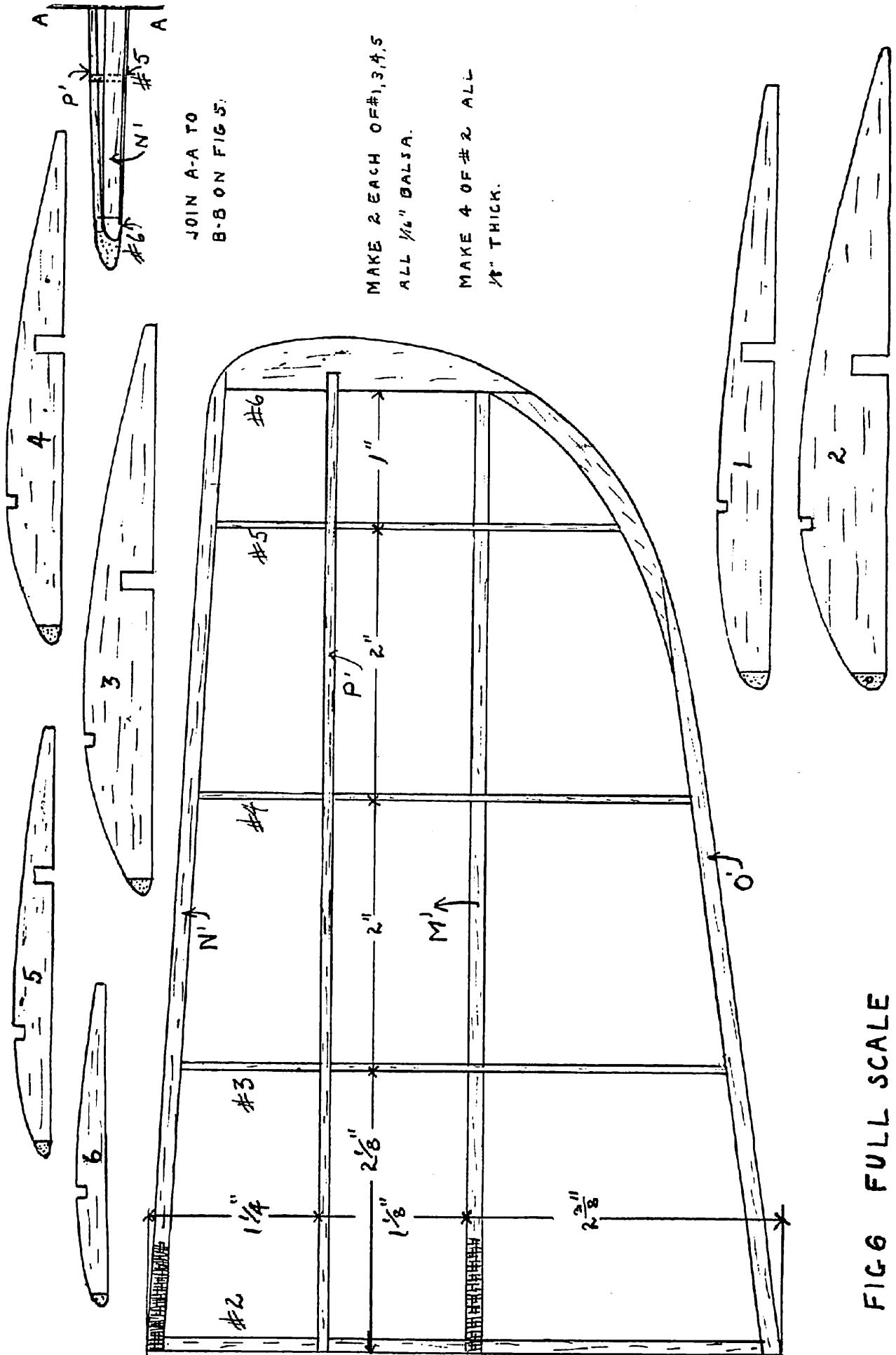


FIG 5 FULL SCALE



JOIN A-A TO
B-B ON FIG. 5.

MAKE 2 EACH OF #1, 3, 4, 5
ALL 1/16" BALSAs.

MAKE 4 OF #2 ALL
1/8" THICK.

FIG. 6 FULL SCALE

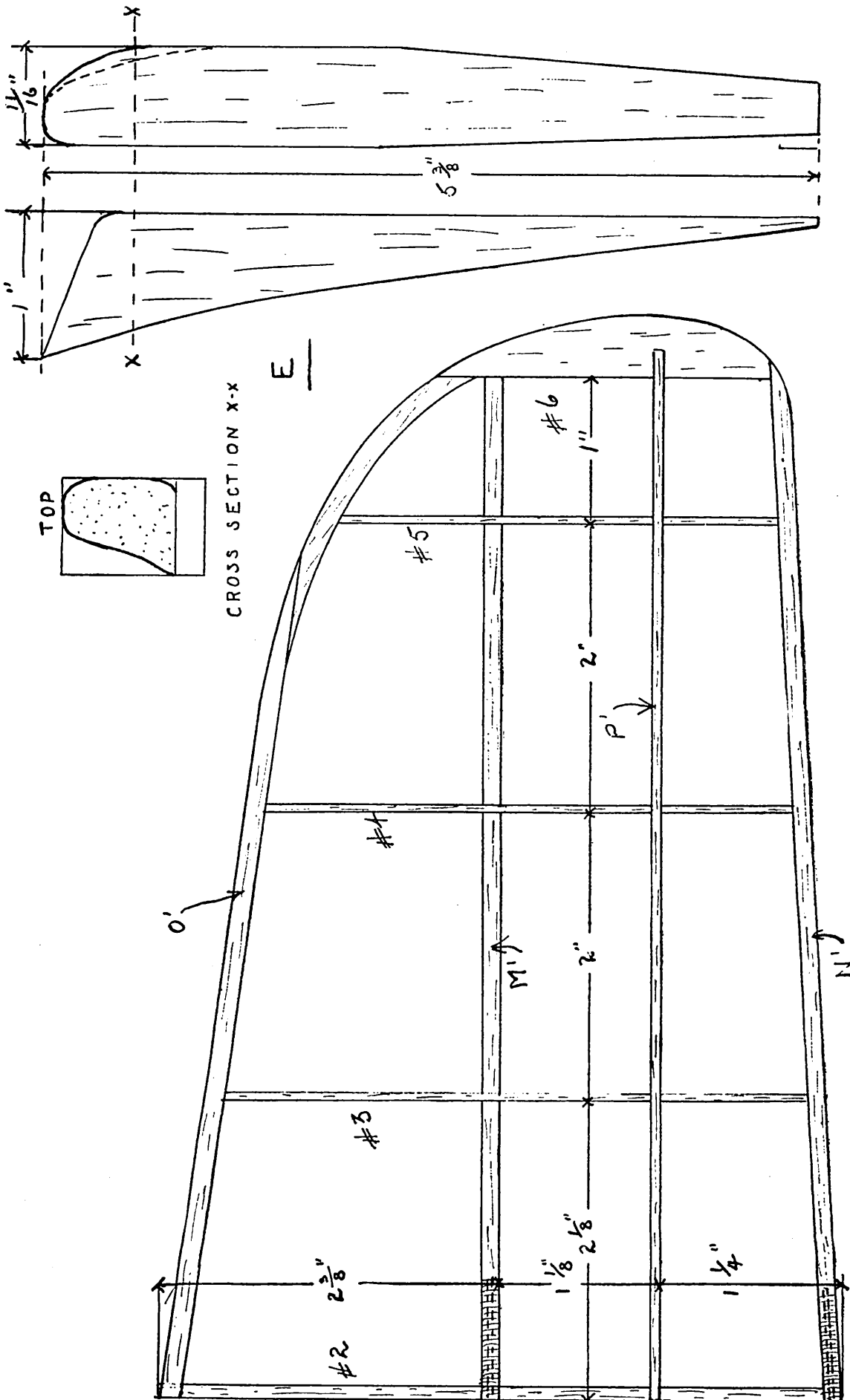


FIG 7 FULL SCALE