

0.040" ALUMINUM CRUTCH

ALUMINUM EXHAUST DUCT
HONEYCOMB GRILL

1/16" BALSAL COCKPIT FLOOR

PUSHROD TO THROTTLE CONTROL SERVO

ALUMINUM ANGLE MOUNT

1/16" PLYWOOD MOUNT
PUSHROD TO THROTTLE

IF ABOUT 1/16" IN LEFT WING PANEL ONLY

LAMINATED 3/8" BALSAL

NATIONAL INSIGNIA
NAVIGATION LIGHTS
LEFT HAND—RED
RIGHT HAND—GREEN
1/16" I.D. ALUMINUM TUBING

1/8" PLYWOOD
1 1/4" BALSAL
1/4" BALSAL SPARS
1/32" ALUMINUM
3/32" BALSAL PLANKING
FIBERGLASS SCOOPS

3/8" BALSAL

1/16" WIRE PIVOT

1/16" U SHAPED WIRE GLUED INTO STAB.

MASS BALANCE & HINGE LOCATED AT CENTER OF ELEVATOR
BRASS (TYPICAL)
SOLDER (TYPICAL)

FILLET CONTOUR

ALUMINUM HONEYCOMB GRILL

WHITE NAVIGATION LIGHT

BALSAL BLOCK (HOLLOWED)

ANTI-GLARE DULL BLACK

K&B 35 & THROTTLE FIBERGLASS COWL EXTENSION SHAFT

FLAT HEAD WOOD SCREWS

CANOPY HINGE

BALSAL BLOCK (HOLLOWED)

1/32" MOLDED CELLULOSE ACETATE

SPARS NOTCHED FOR RIBS

3/16" x 1/4" BALSAL KEEL
1/8" BALSAL
3/32" BALSAL PLANKING

BRASS OR ALUM TUBING

2 1/2" FROOM SPINNER

ALUM. WASHERS, RECESSED

1/16" MUSIC WIRE PINS

HARDWOOD ANTENNA

HONEYCOMB GRILL

1" SHEET BALSAL

2 1/4" WHEEL

GAS TANK BALSAL BLOCK

0.040" ALUMINUM CRUTCH

3" VEVO WHEEL

PIANO HINGE (EPOXY IN PLACE)

FIBERGLASS

1/8" PLYWOOD

1/4" MAHOGANY

1/16" WIRE PUSH ROD

3/32" BALSAL PLANKING

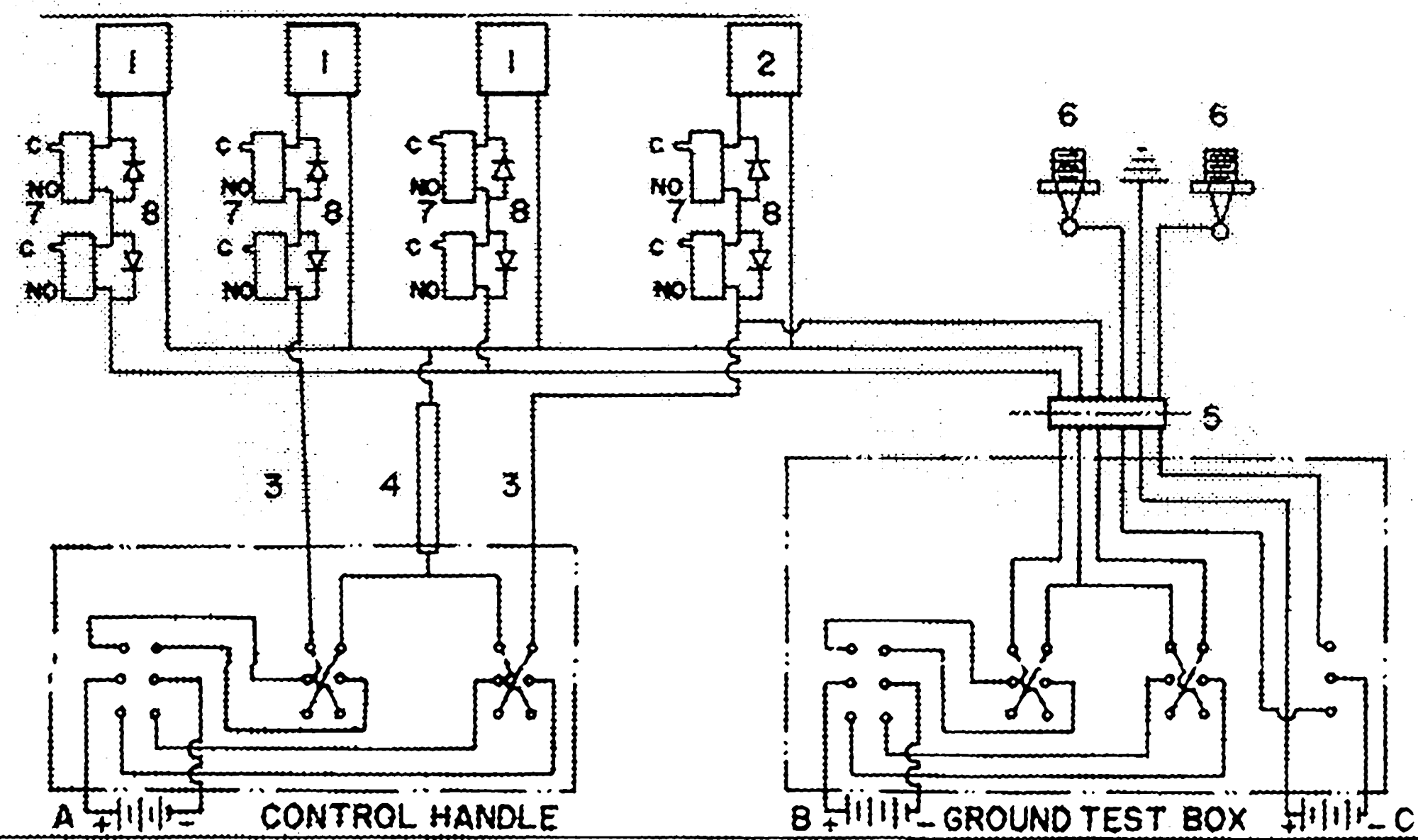
BALSAL & PLASTIC BALSAL FILLETS

EPOXY GLUE ALL JOINTS

11-6 POWER PROP

PROP HUB DETAIL

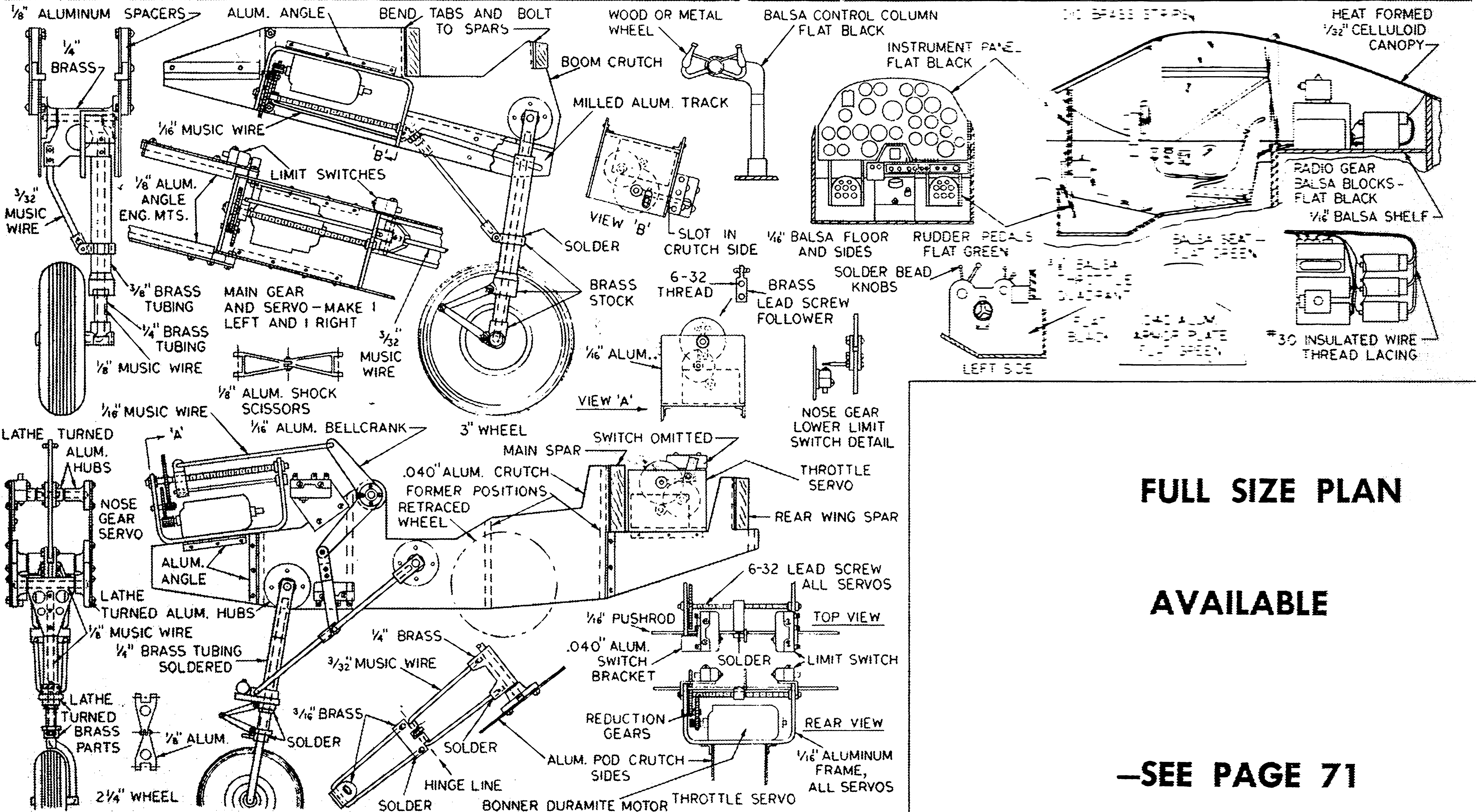
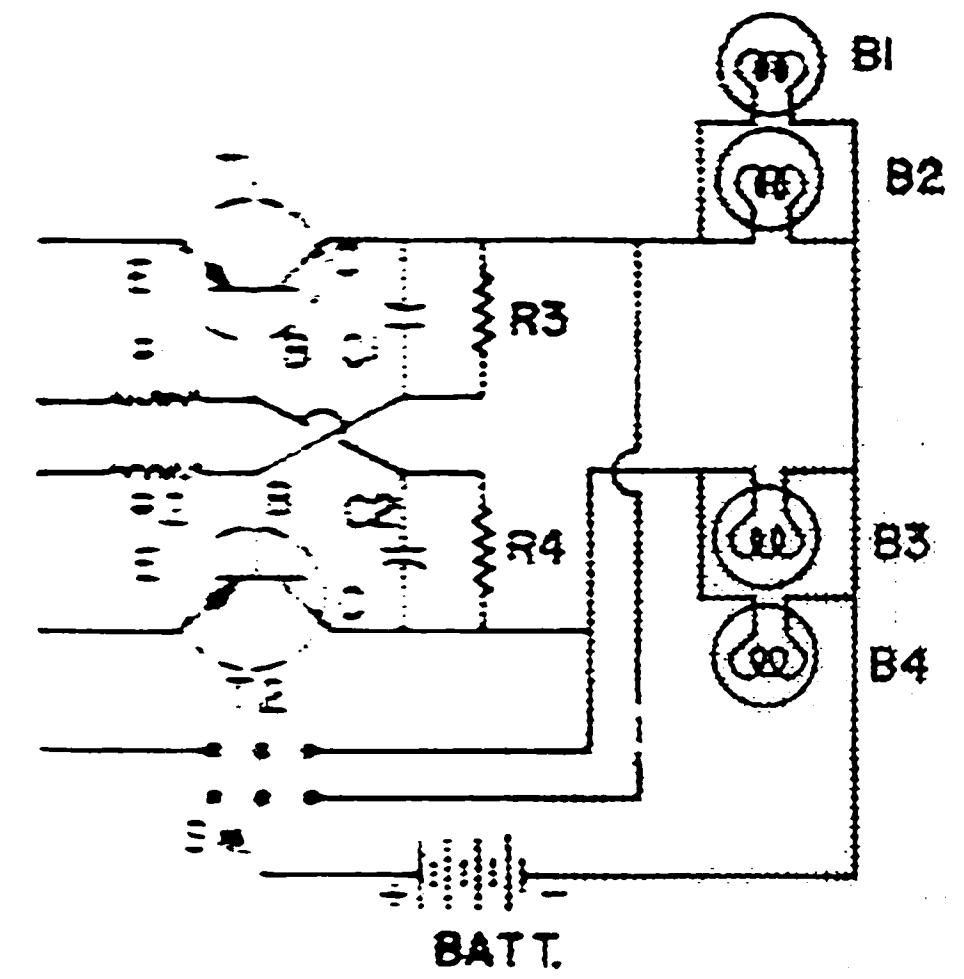
ALUMINUM HONEYCOMB GRILL



- 1-LANDING GEAR SERVOS.
- 2-THROTTLE SERVO.
- 3-No. 28 INSULATED WIRE.
- 4-60' CONTROL WIRES.
- 5-CONNECTOR.
- 6-GLOW PLUGS.
- A-24 TO 48 V. BATTERY.
- B-4-1/2-6 V. BATTERY.
- C-GLOW PLUG BATTERY.
- 7-LIMIT SWITCHES-E4 ELECTRO SNAP
SPST NORMALLY OPEN.
- 8-GE IN 92 DIODES.
- c-CLOSED
- no-NORMALLY OPEN.

LEGENDS

- T1 & T2-2N404 RCA TRANSISTORS
- C1 & C2-300 mfd 12V CAPACITORS
- R1 & R2- 1K Ω 1/4 W RESISTORS
- B1, B2, B3, B4, 12V GRASS ROOTS BATTERIES
- SW-DOUBLE POLE DOUBLE THROW ON-OFF SNAP SWITCH
- BATTERY-15V HEARING AID BATTERY PARALLEL



FULL SIZE PLAN

AVAILABLE

-SEE PAGE 71