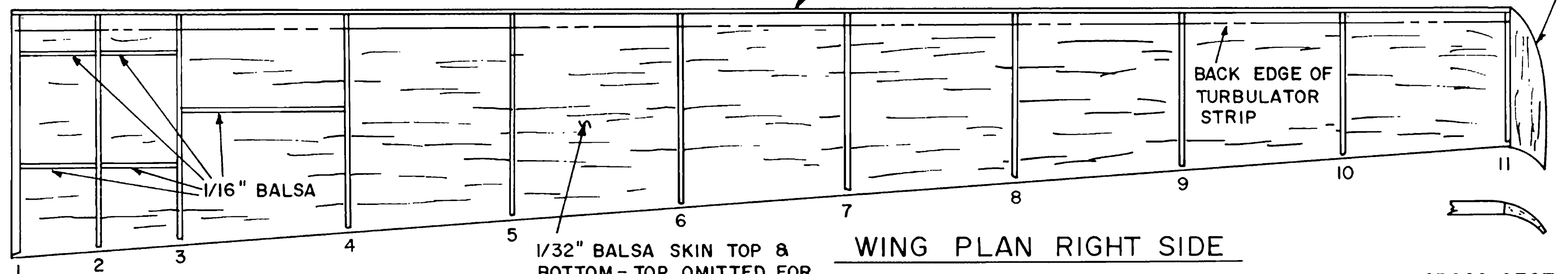


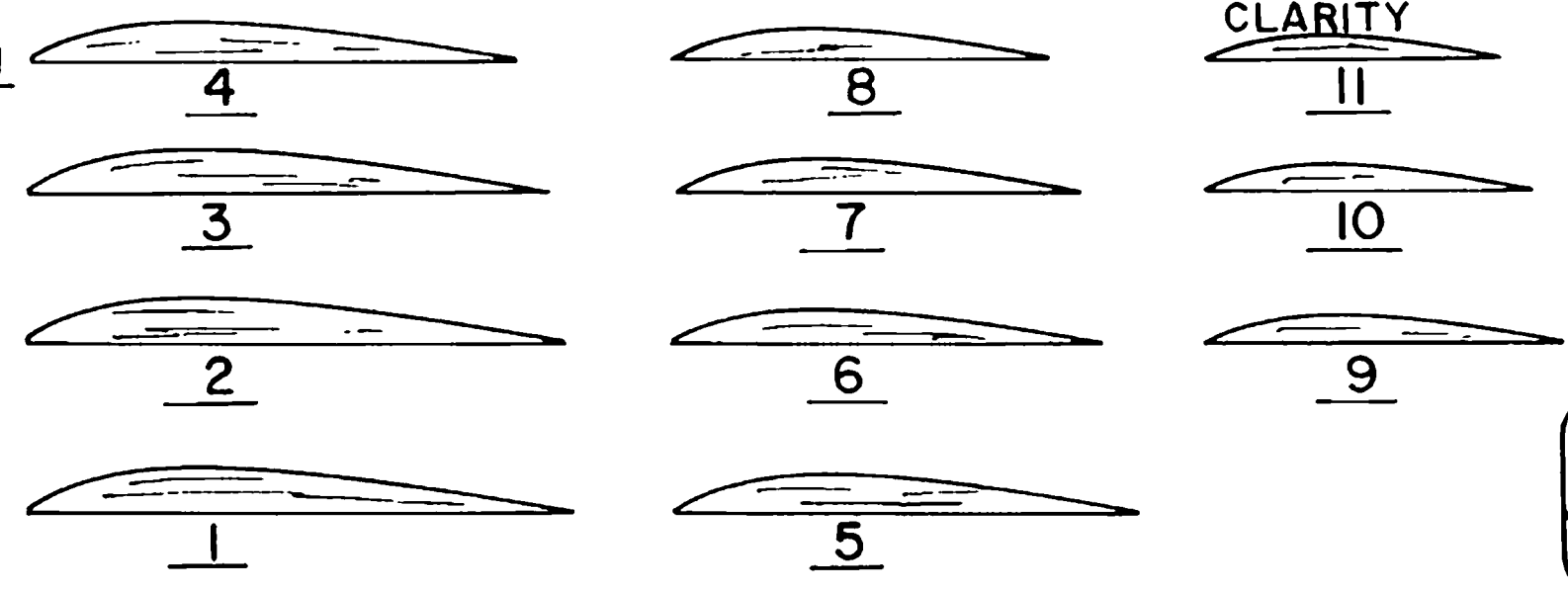
1/16" SQ. LEADING EDGE

BALSA TIP

CROSS SECTION



WING PLAN RIGHT SIDE

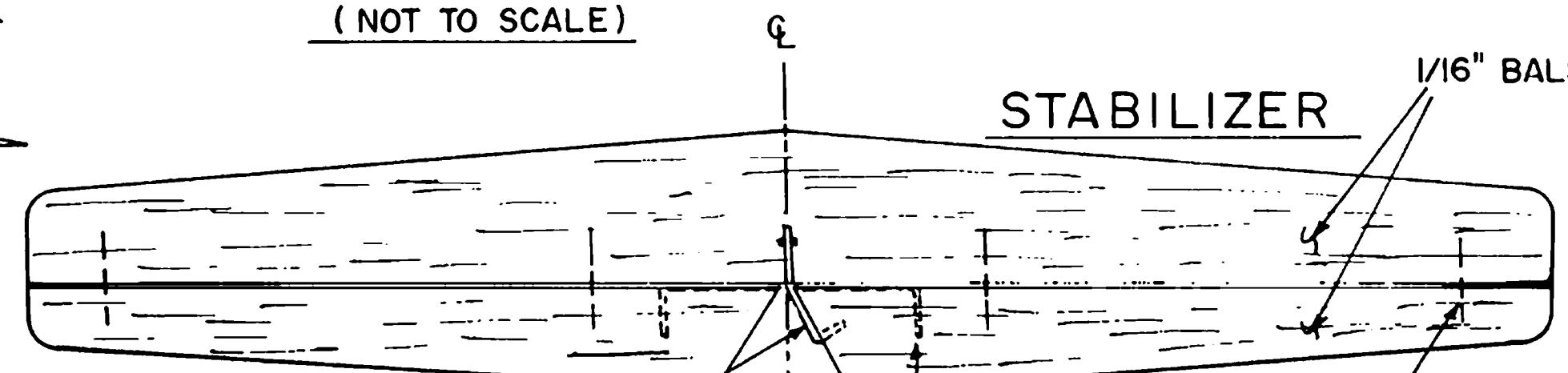


DIHEDRAL IS 3" UNDER EACH WING TIP

CROSS SECT. WING TIP

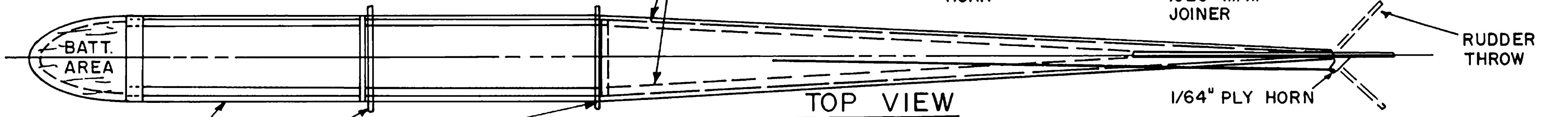
RIB 1 3/32" Balsa
RIB 2-4 1/16" Balsa

RIB 5-10 1/32" Balsa
RIB 11 1/16" Balsa



ELEVATOR

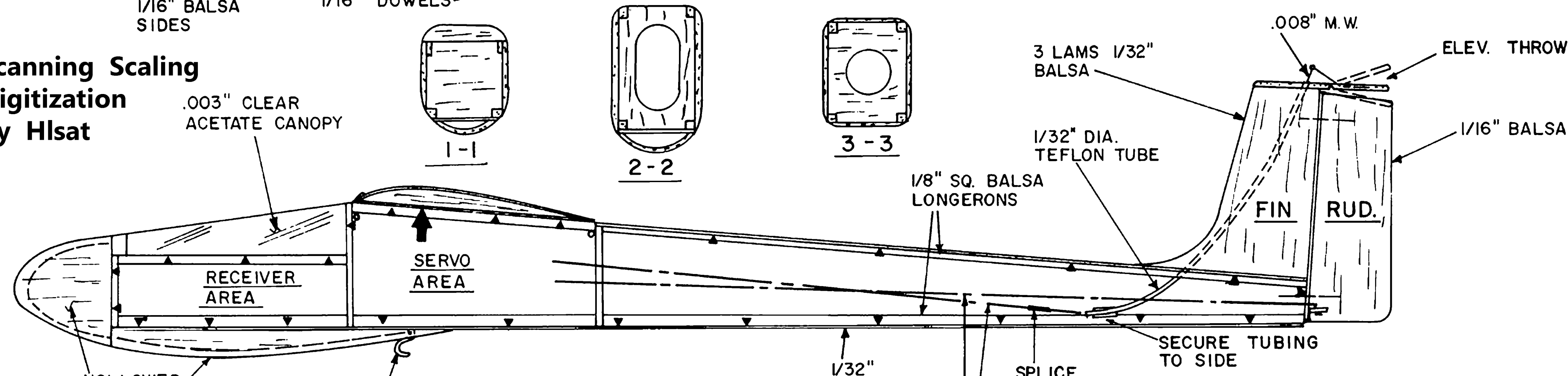
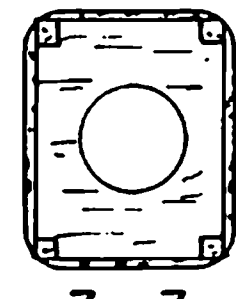
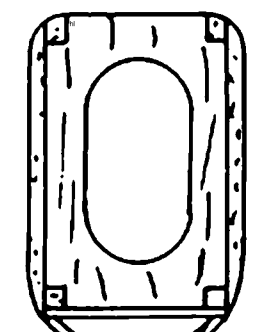
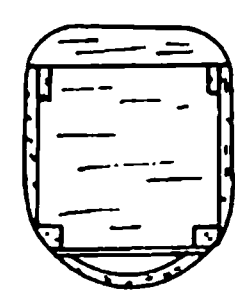
STABILIZER



TOP VIEW

Scanning Scaling
Digitization
By Hlsat

.003" CLEAR ACETATE CANOPY



SIDE VIEW

▲ = 1/16" Balsa SIDES

MICRO R/C SOARING GLIDER
WING SPAN 36.8" WEIGHT 1-3/4 OZ.
MICRO TWO CHANNEL R/C

MODEL AIRPLANE NEWS		
MINI KESTRAL		
DESIGNED & DRAWN BY DAVE ROBELLEN		
INKED DRAWING BY JOE DEMARCO		
ALL RIGHTS RESERVED	SHEET 1 OF 1	FSP

