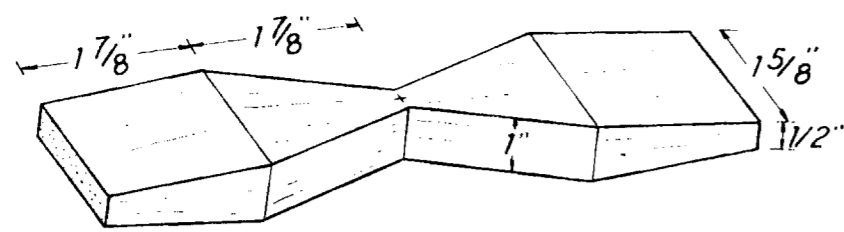


SOFT BALSA
SPINNER

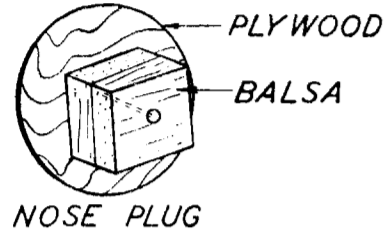
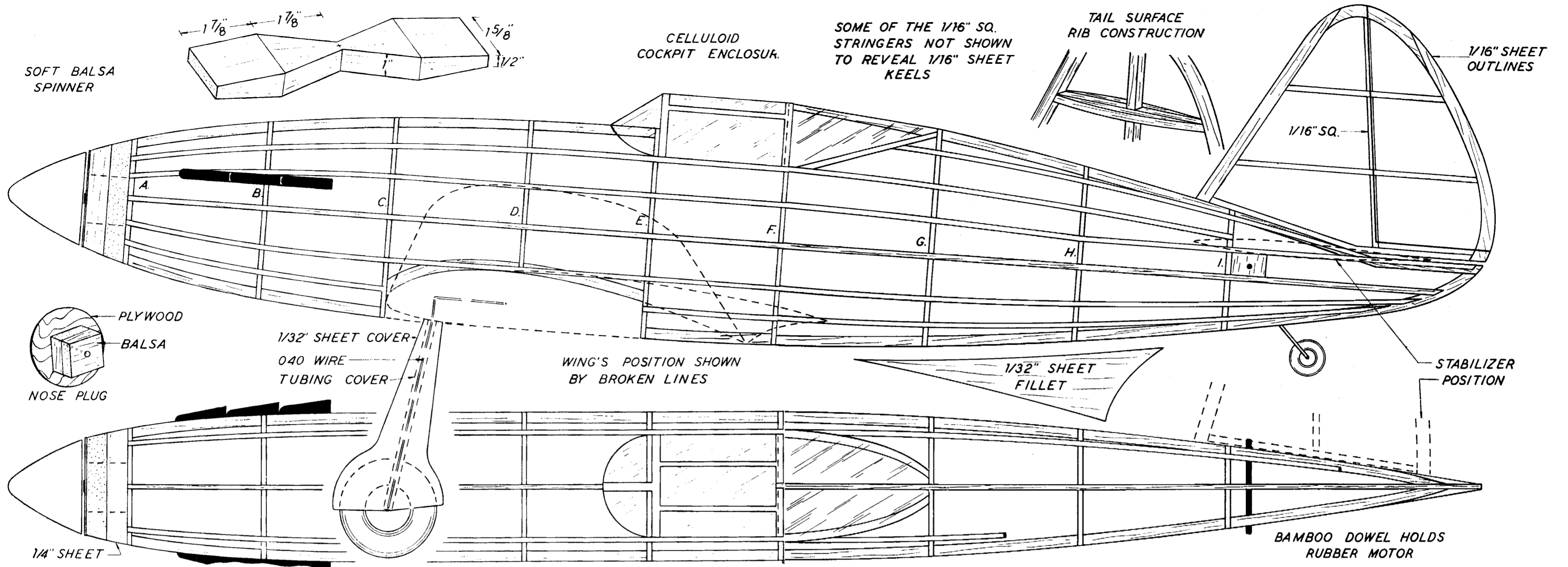


CELLULOID
COCKPIT ENCLOSURE

SOME OF THE 1/16" SQ.
STRINGERS NOT SHOWN
TO REVEAL 1/16" SHEET
KEELS

TAIL SURFACE
RIB CONSTRUCTION

1/16" SHEET
OUTLINES



1/32" SHEET COVER
040 WIRE
TUBING COVER

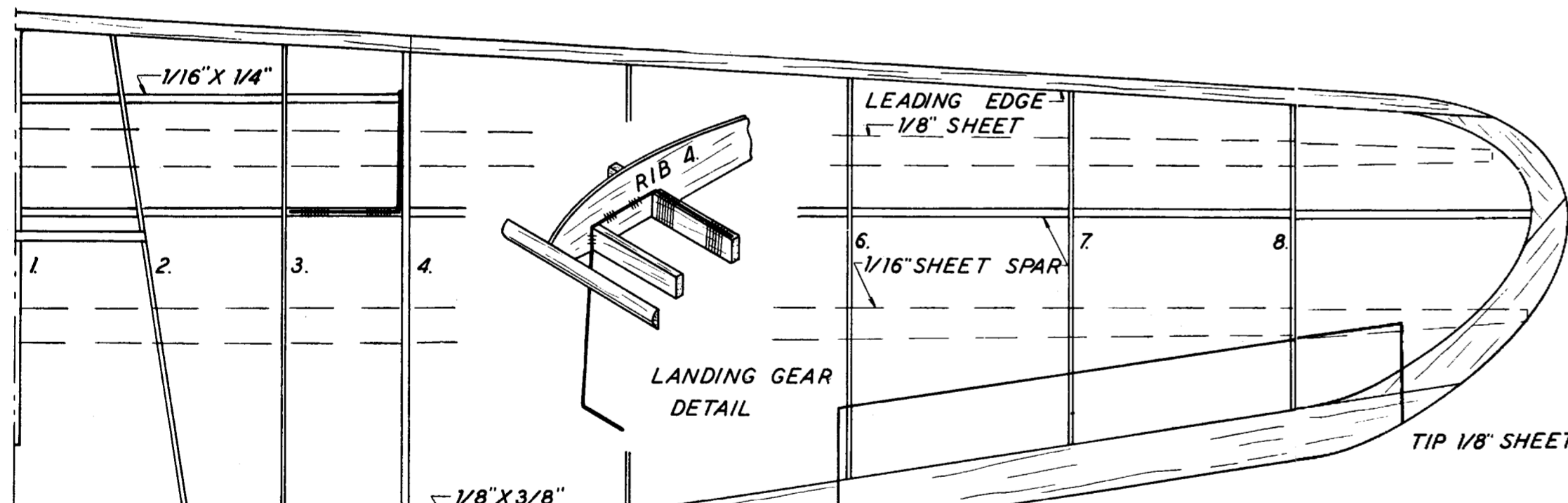
WING'S POSITION SHOWN
BY BROKEN LINES

1/32" SHEET
FILLET

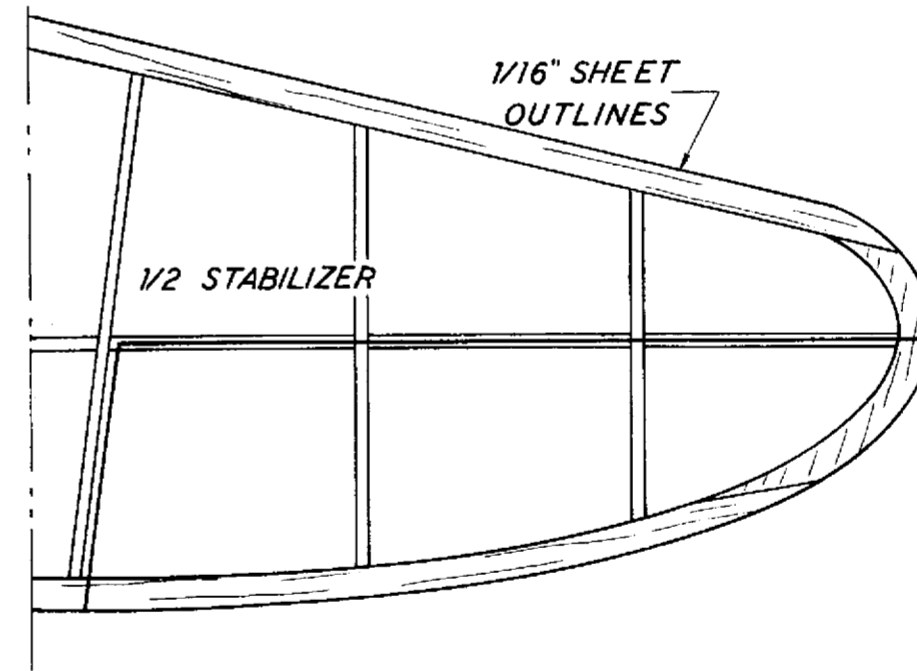
STABILIZER
POSITION

BAMBOO DOWEL HOLDS
RUBBER MOTOR

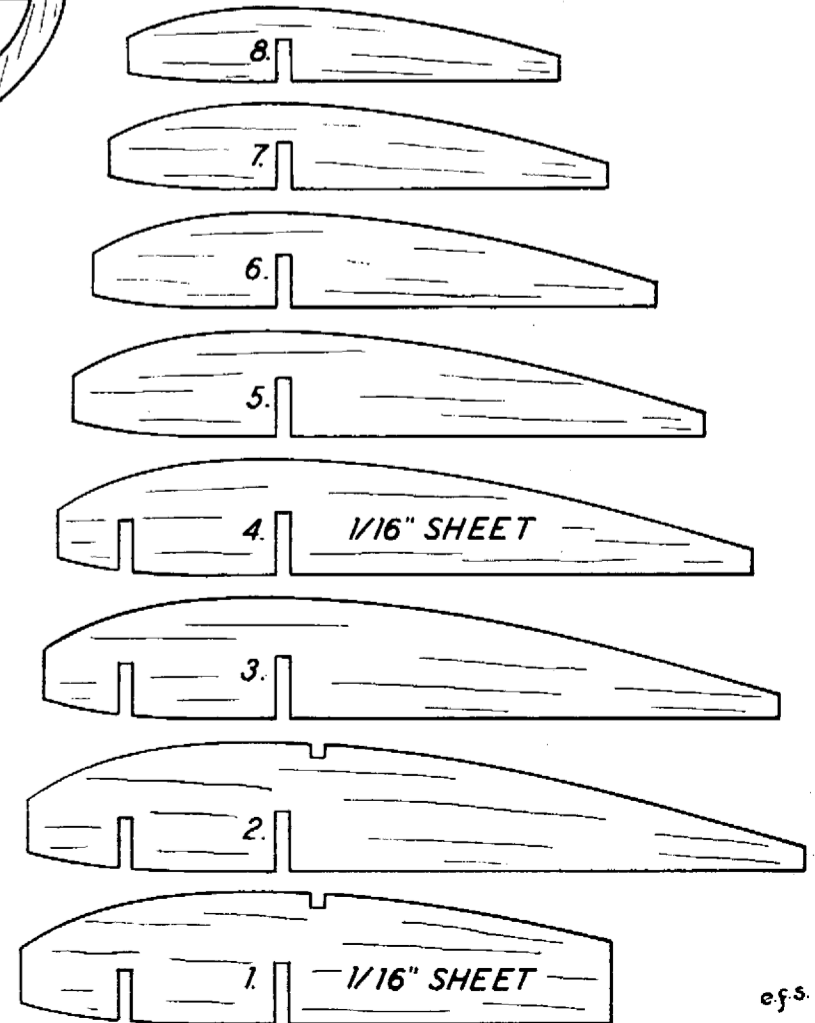
Model Airplane News - January, 1943



WING IS TO BE
BUILT IN ONE
PIECE THEN
CRACKED AT RIB
4 FOR DIHEDRAL



WING RIBS
1/32" SHEET



FUSELAGE BULKHEADS
1/16" SHEET

