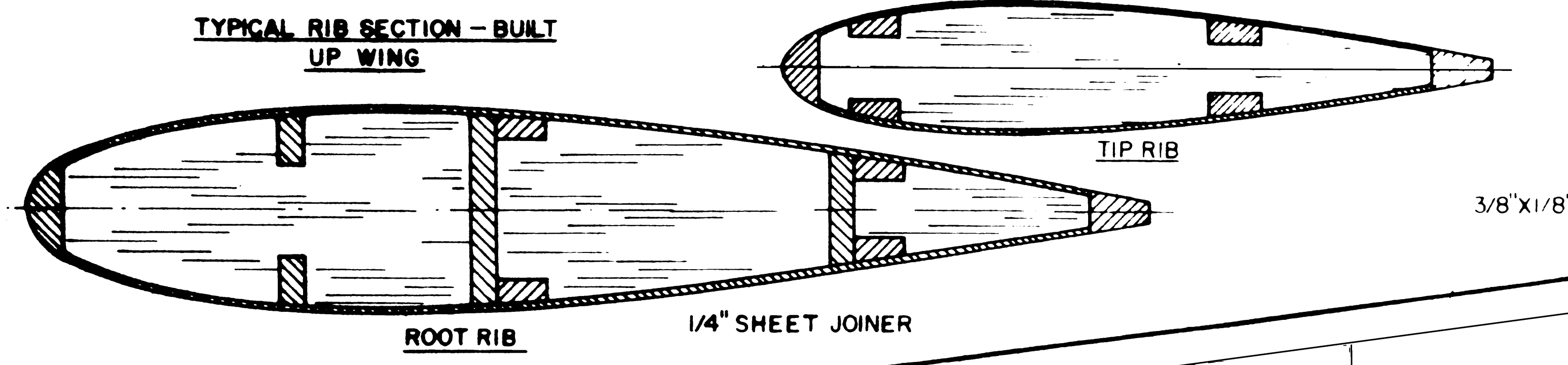
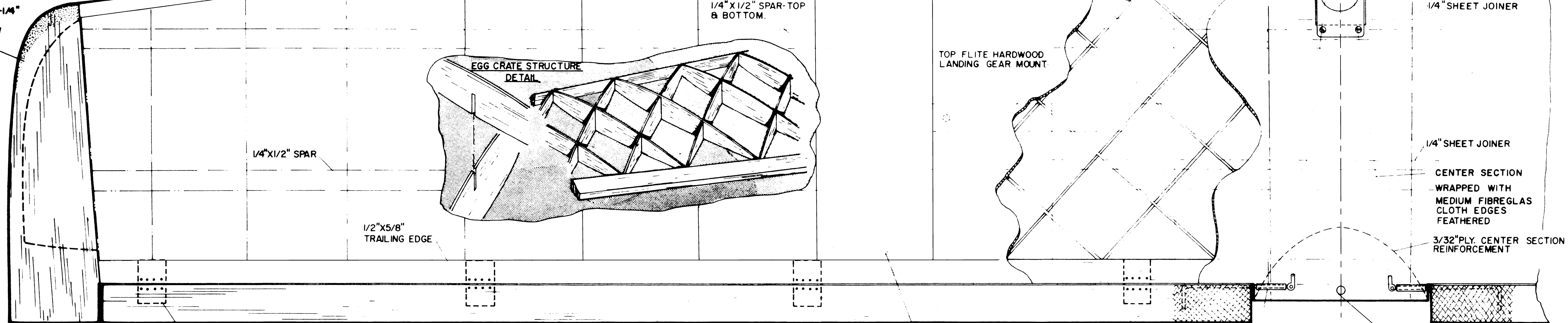


TYPICAL RIB SECTION - BUILT UP WING



PHANTOM LINES INDICATE TYPICAL BUILT-UP WING WOOD SIZES INDICATED ARE FOR THIS TYPE WING EXCEPT LEADING & TRAILING EDGES



NYLON MYLAR HINGES ALL CONTROL SURFACES - FASTEN WITH PINS CUT-OFF & PUSHED IN FROM BOTTOM - PINS DO NOT PROTRUDE THROUGH TOP SKIN.

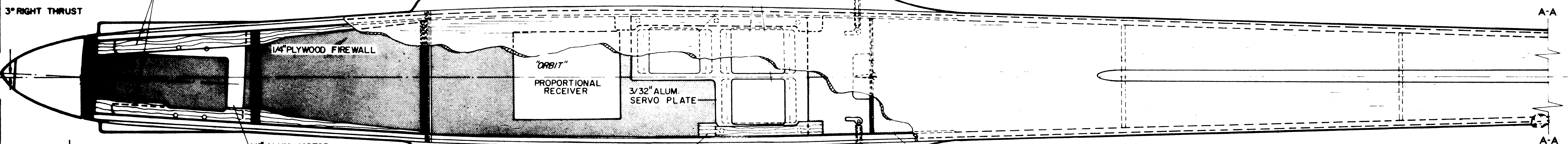
1/4"x1" T.E. STOCK STRIP AILERONS

1/16" BALSA SHEET - "FOX" 12" SHEET EXCELLENT FOR THIS JOB

WRAP AILERON HORN WITH CLOTH TAPE & GLUE

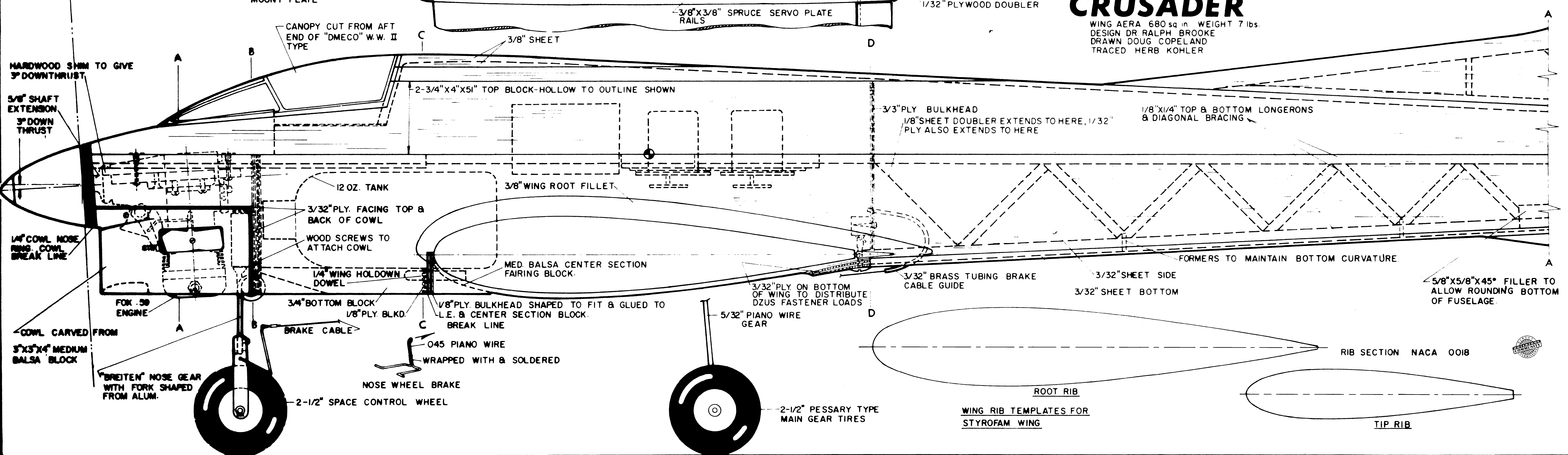
TOP-FLITE AILERON HORN ASSEMBLIES

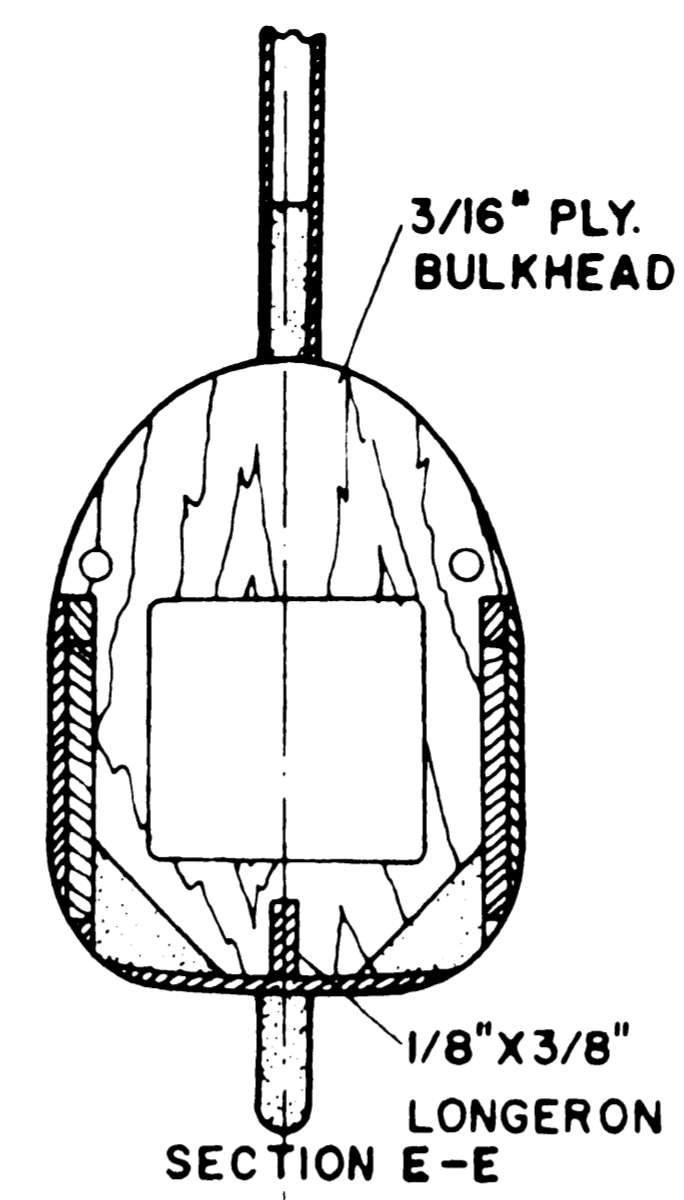
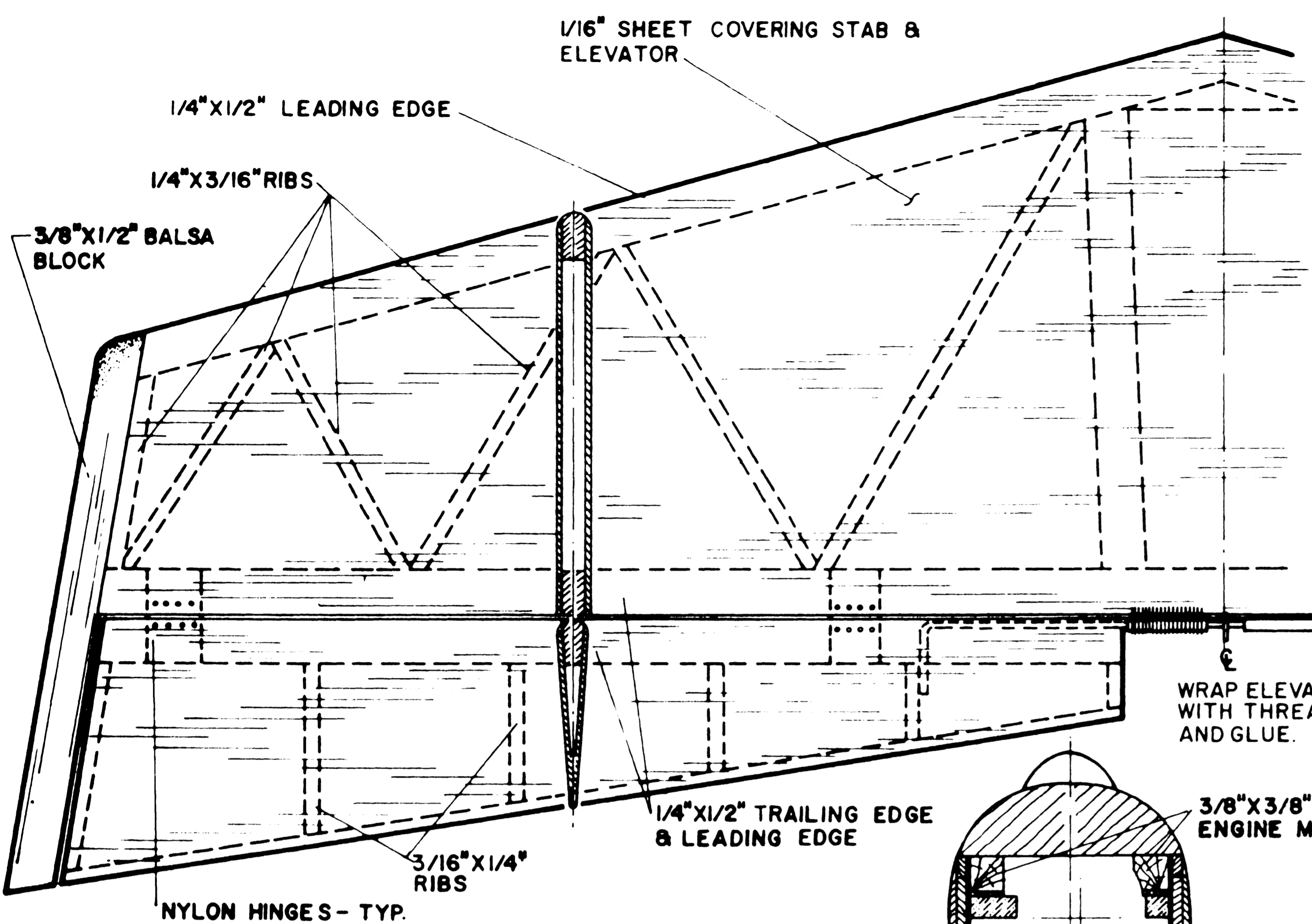
5° DIHEDRAL - EACH PANEL



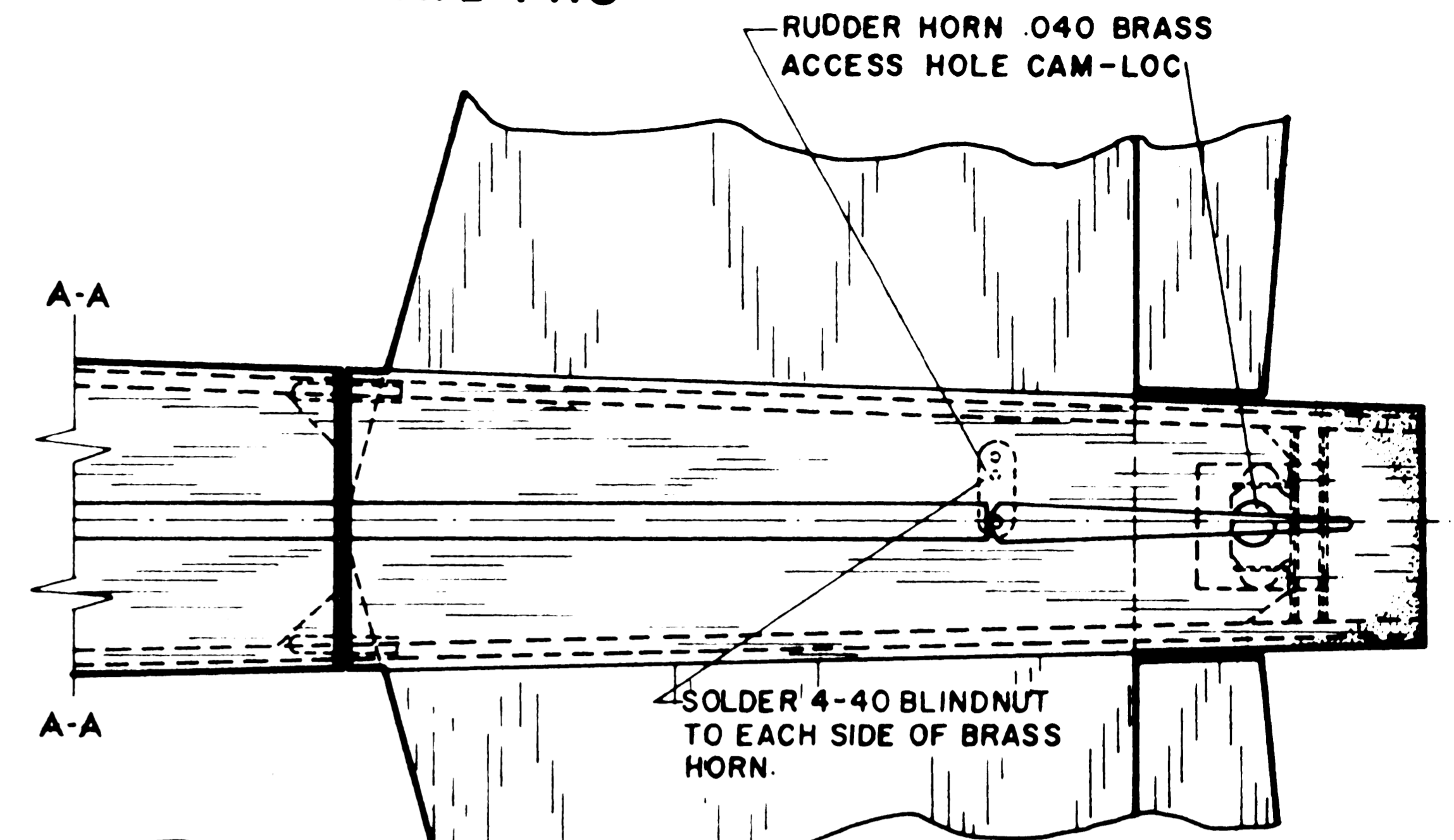
CRUSADER

WING AREA 680 sq. in. WEIGHT 7 lbs.
DESIGN DR. RALPH BROOKE
DRAWN DOUG COPELAND
TRACED HERB KOHLER

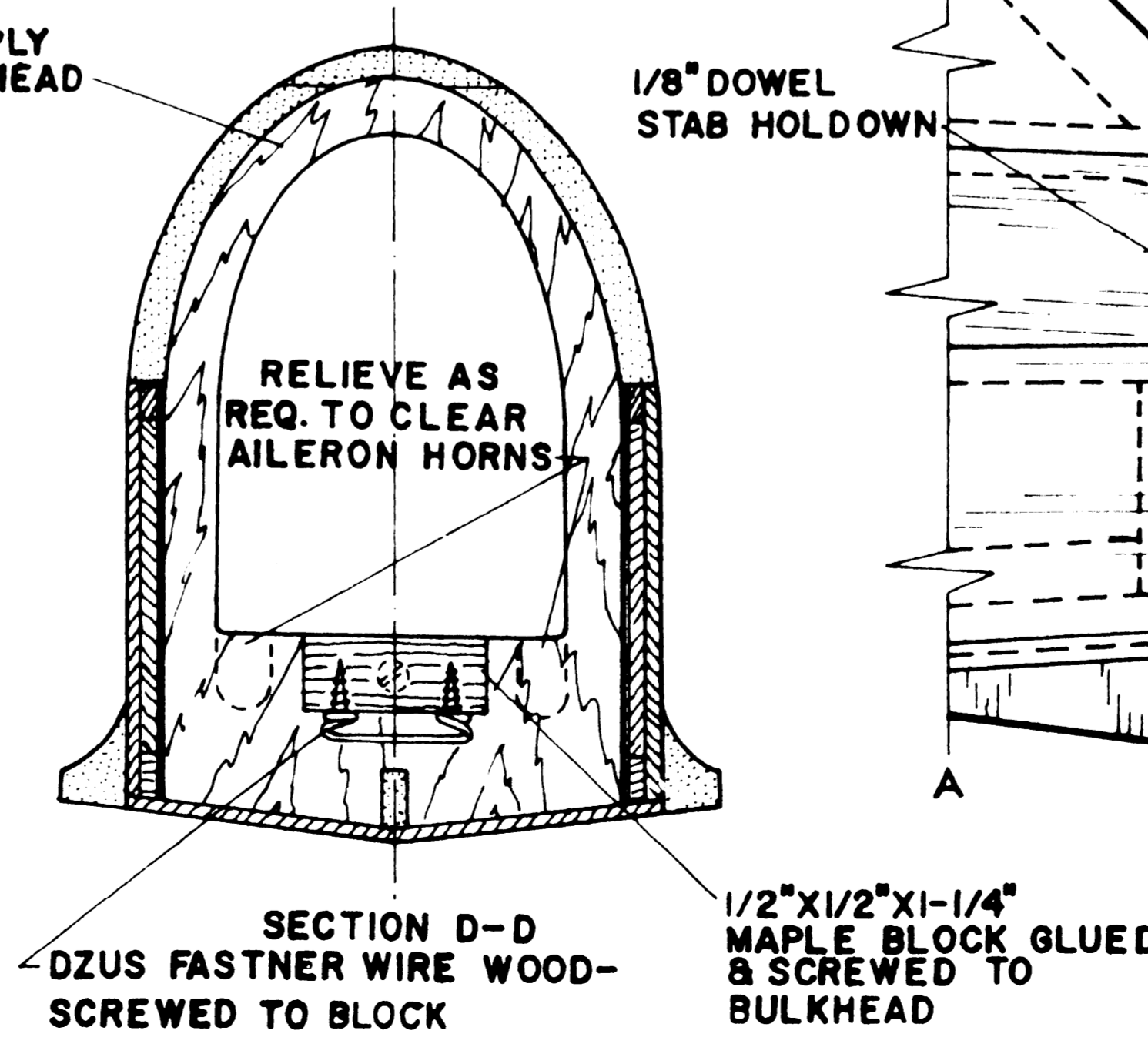
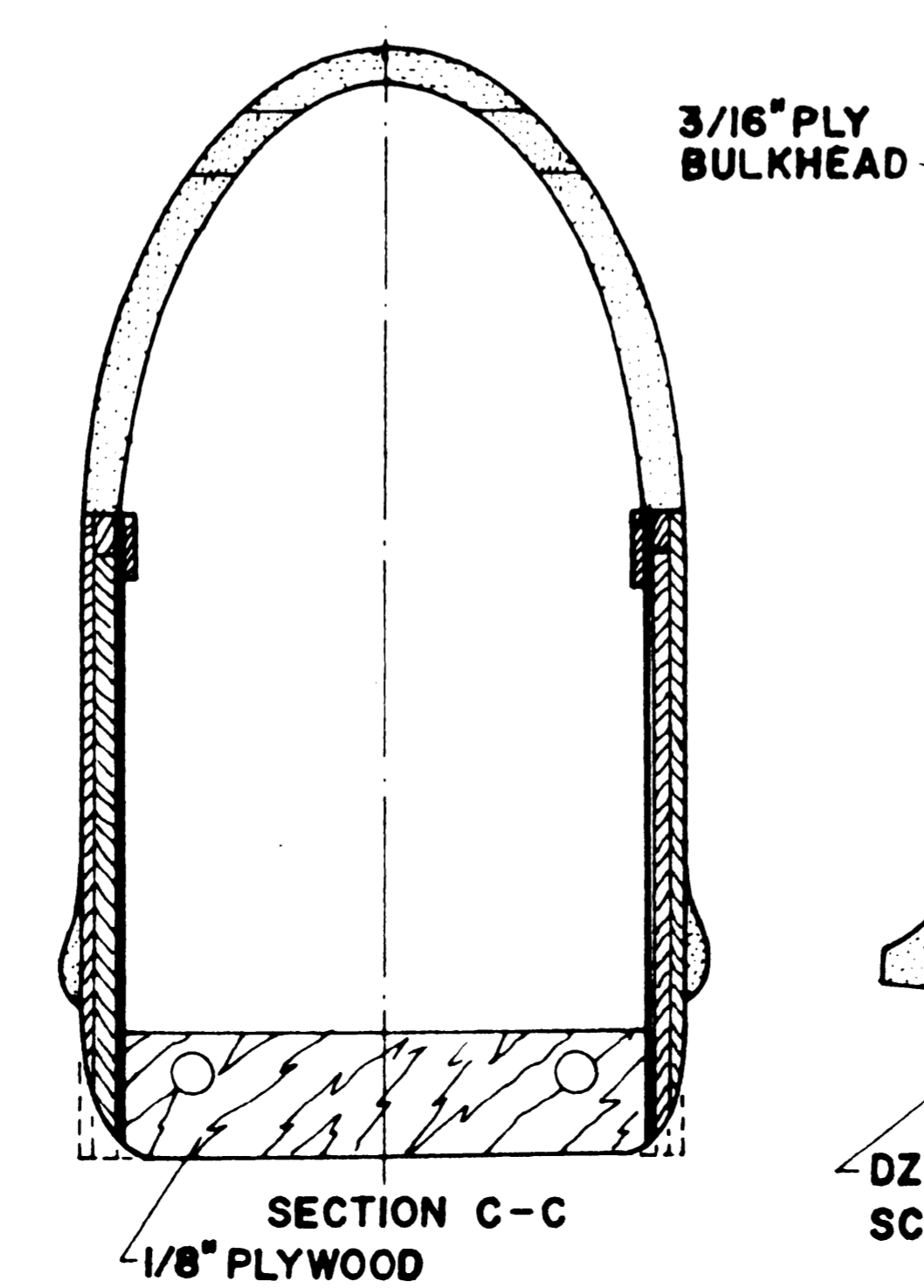
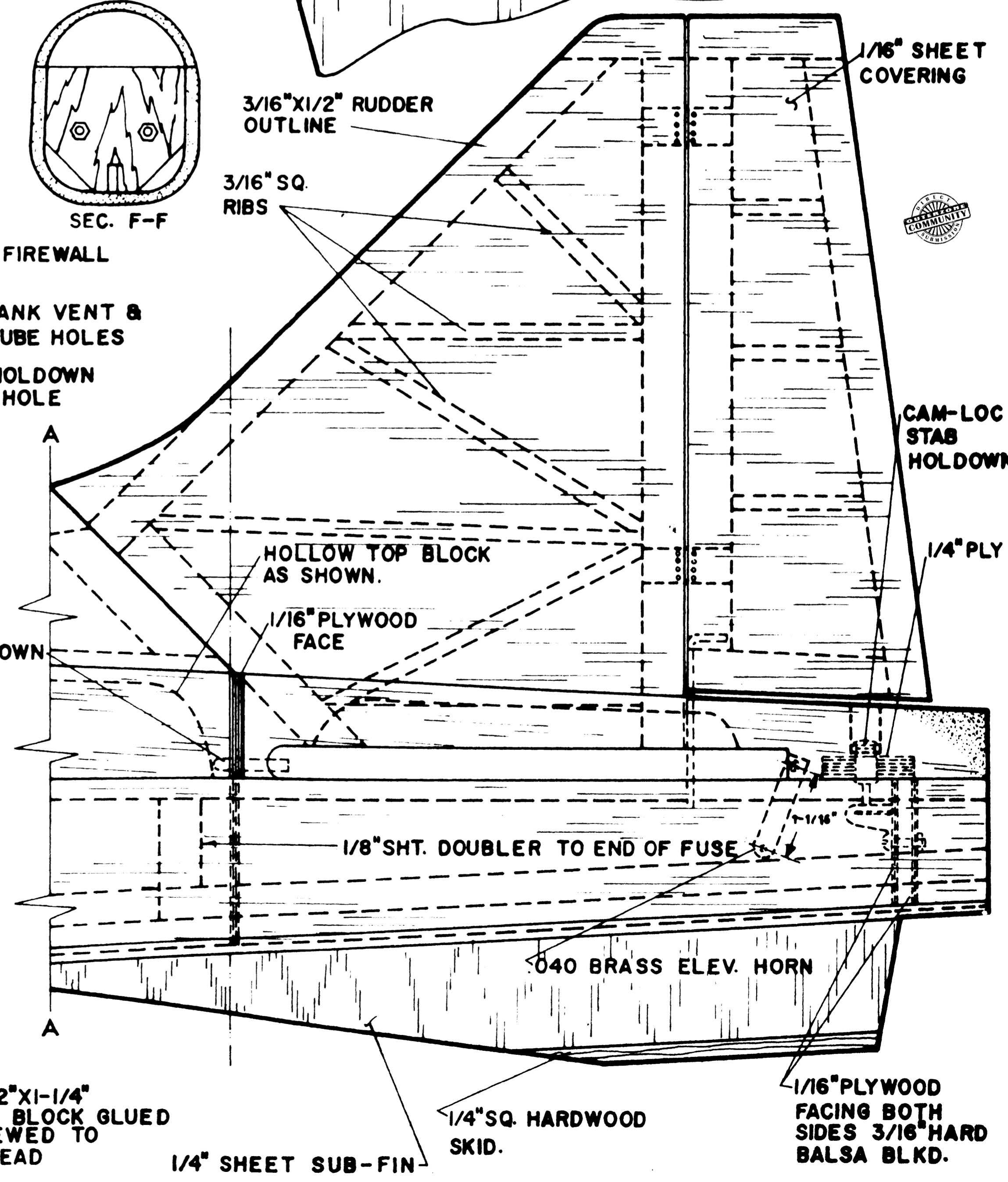
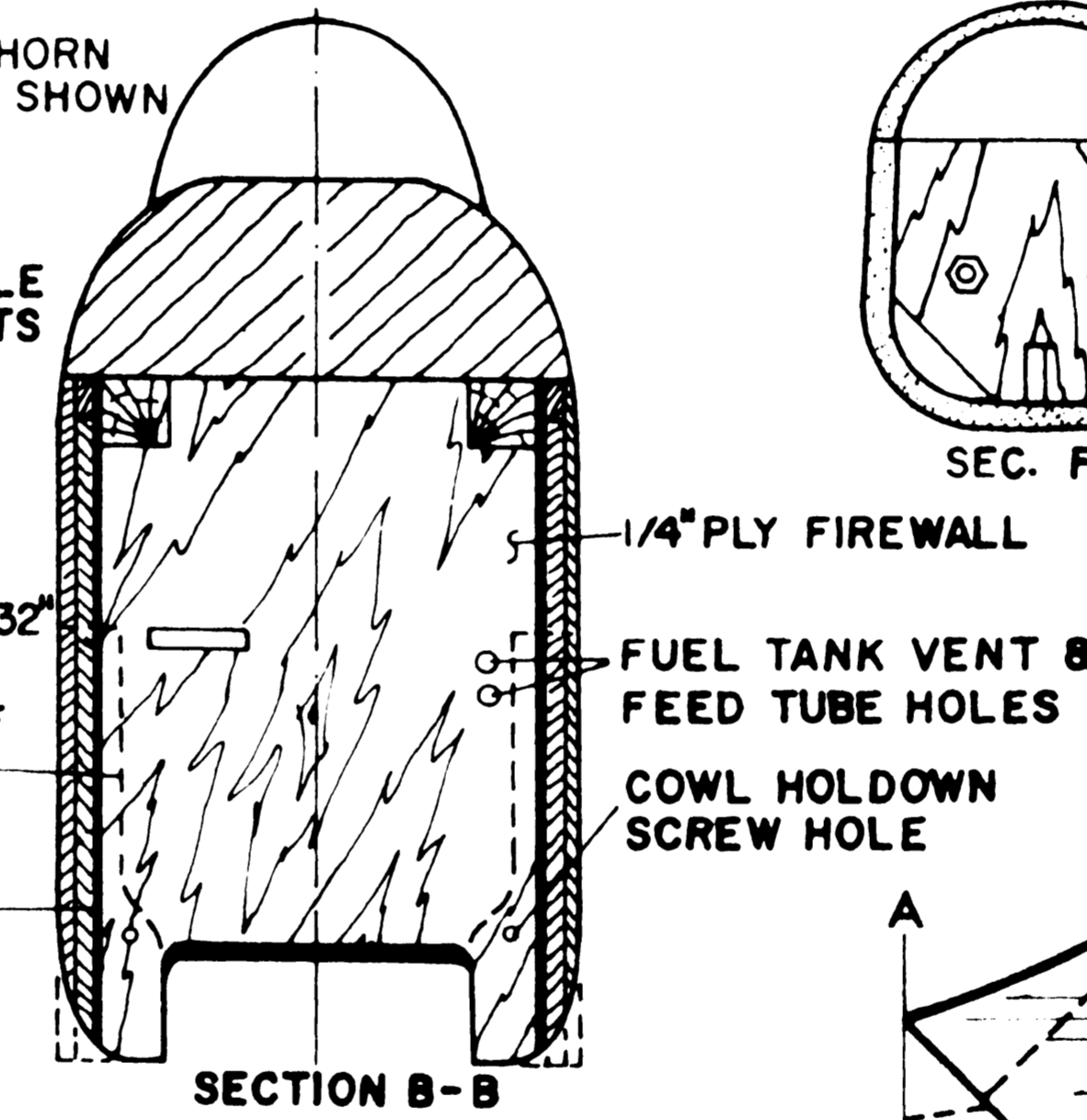
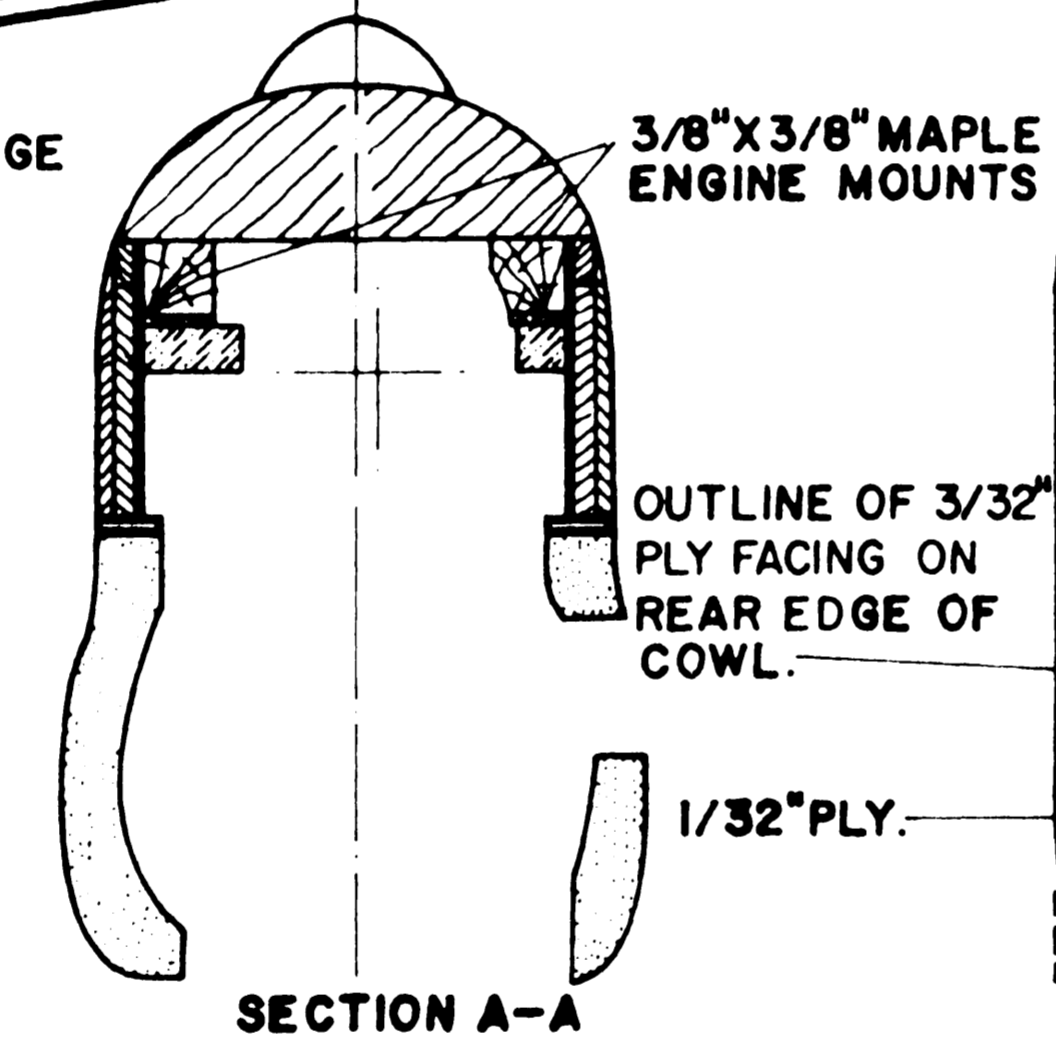




CRUSADER - PLATE TWO



WRAP ELEVATOR HORN WITH THREAD AS SHOWN AND GLUE.



CRUSADER DESIGN DR RALPH BROOKE
DRAWN DOUG COPELAND
TRACED HERB KOHLER