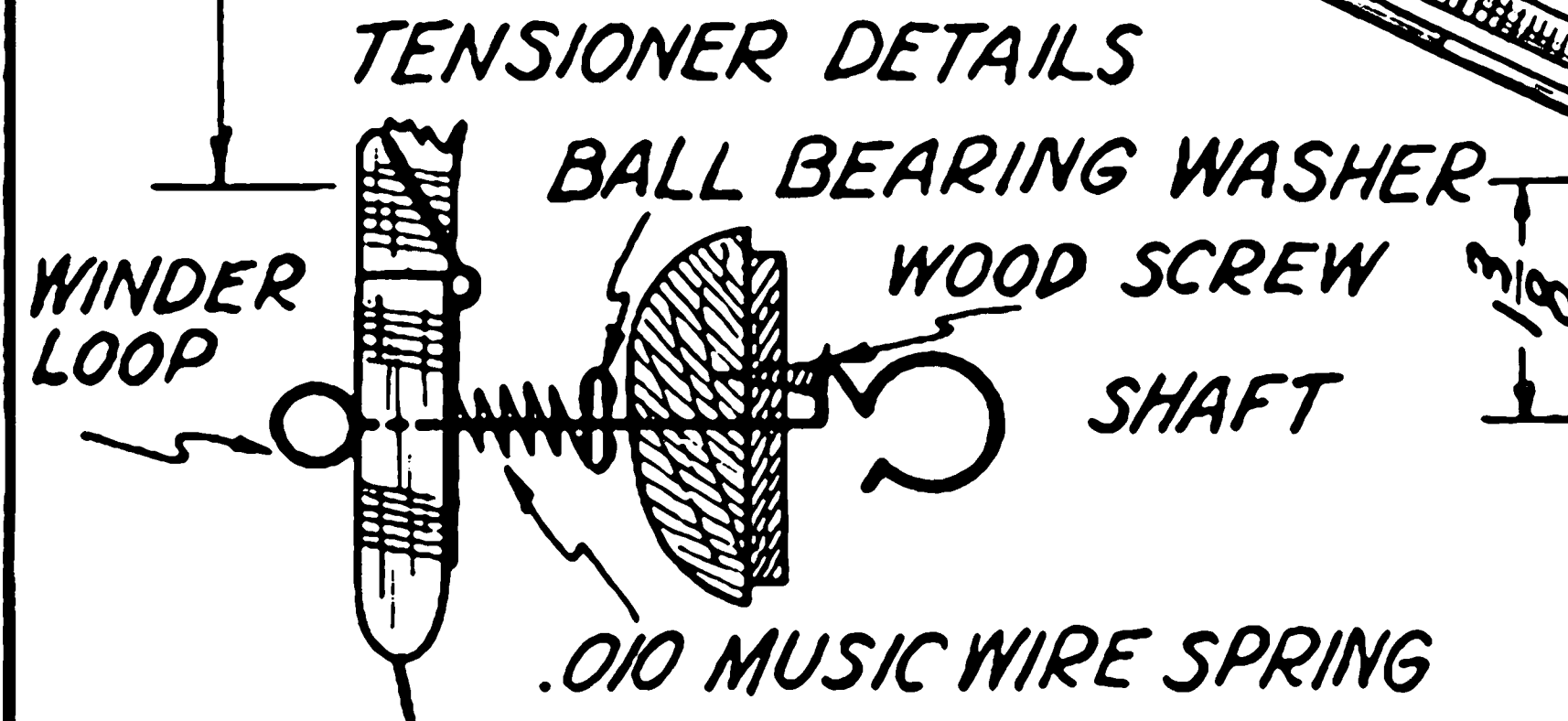
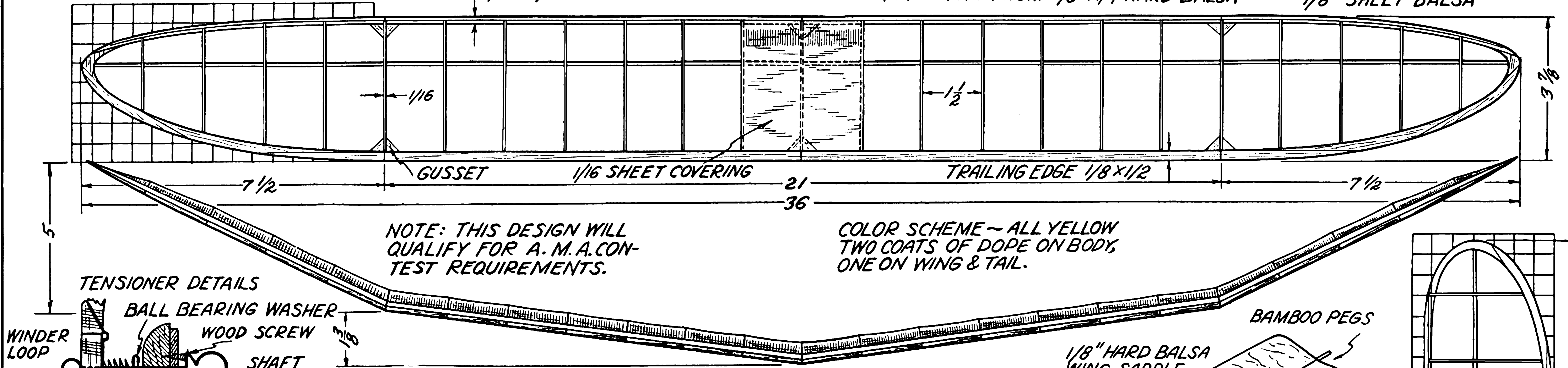


EACH SQUARE EQUALS 1/2"

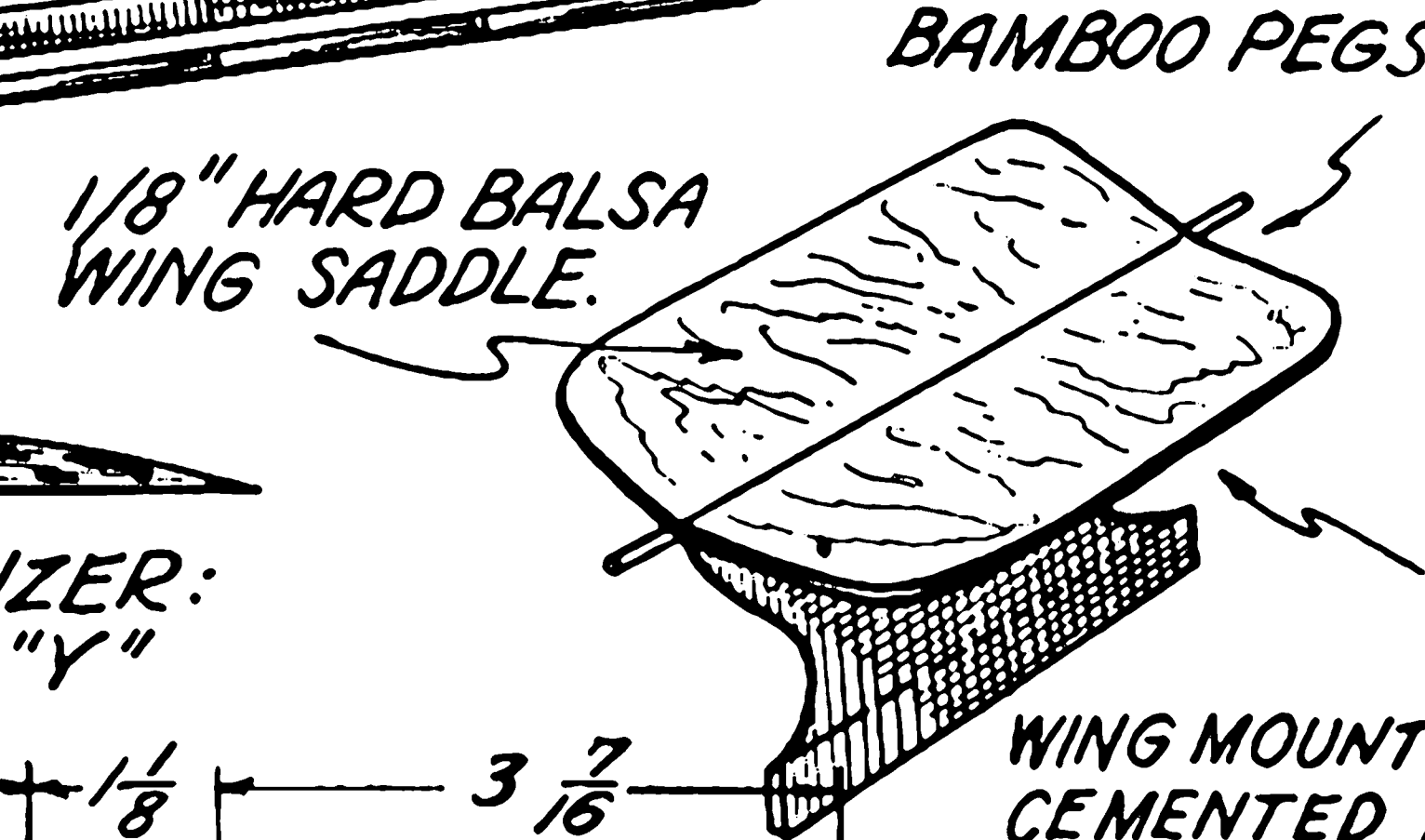
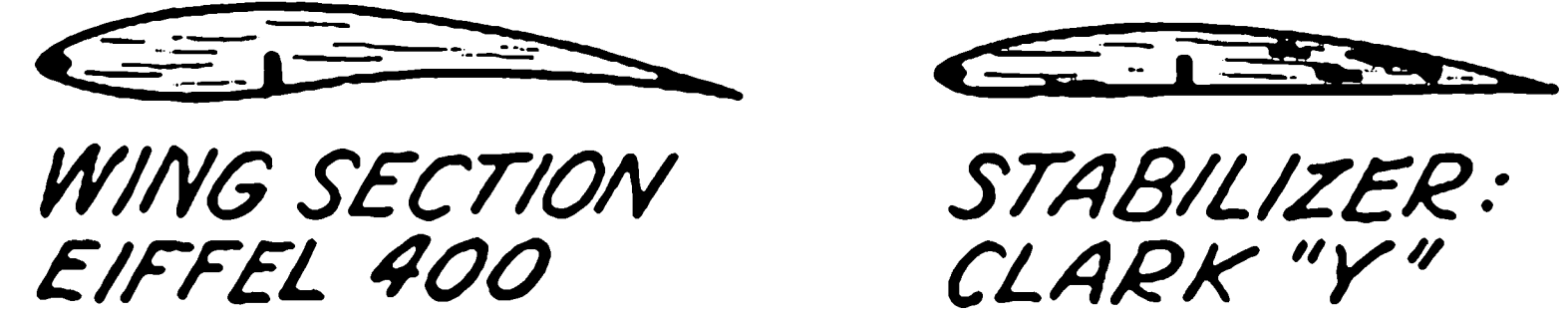
1/8 x 1/8 MEDIUM BALSA

MAIN SPAR FROM 1/8 x 1/4 HARD BALSA

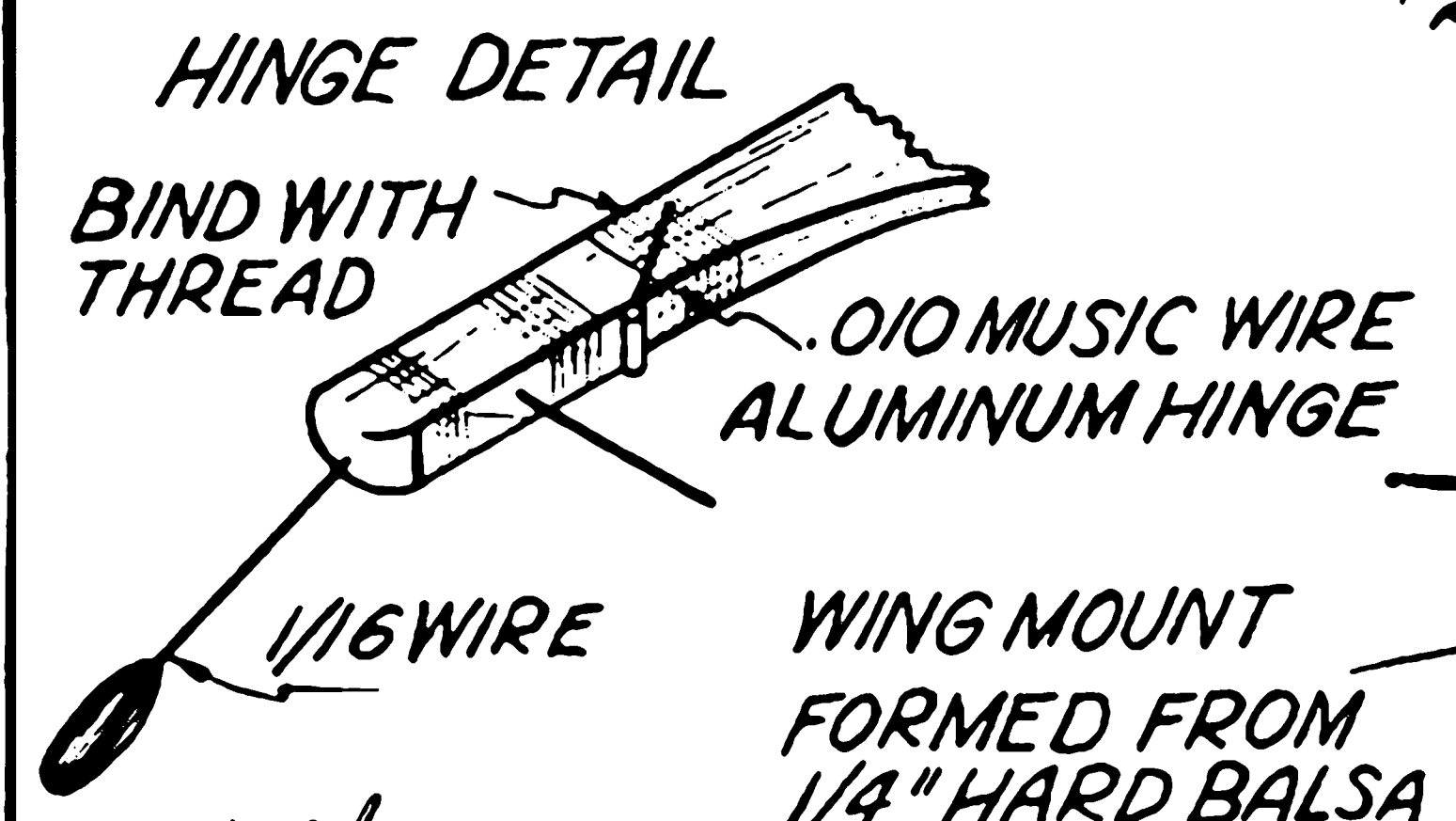
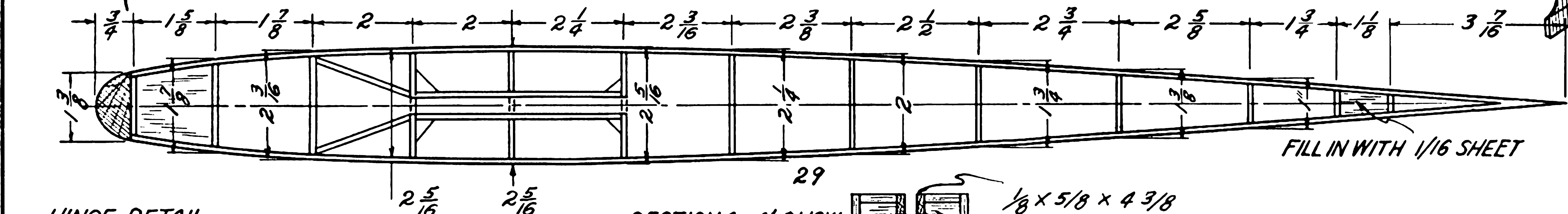
MAKE WING TIPS FROM 1/8" SHEET BALSA



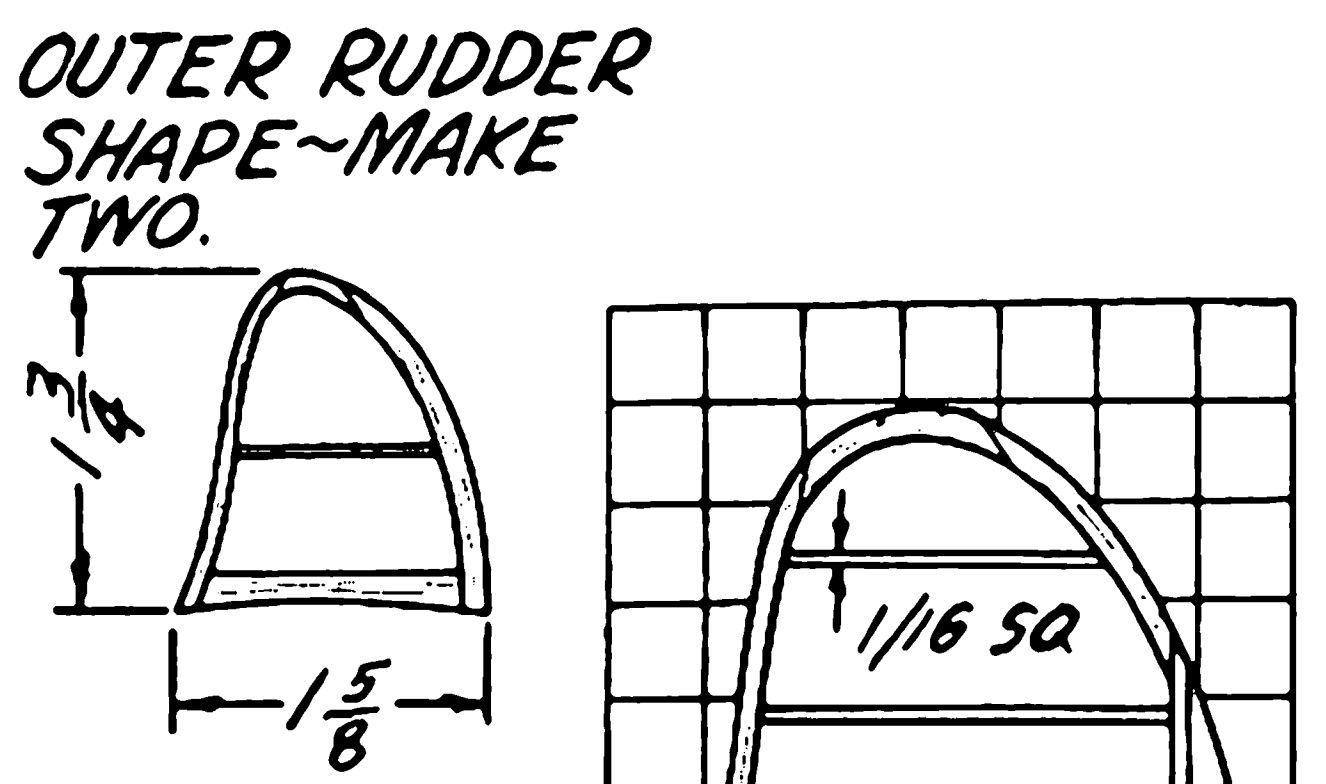
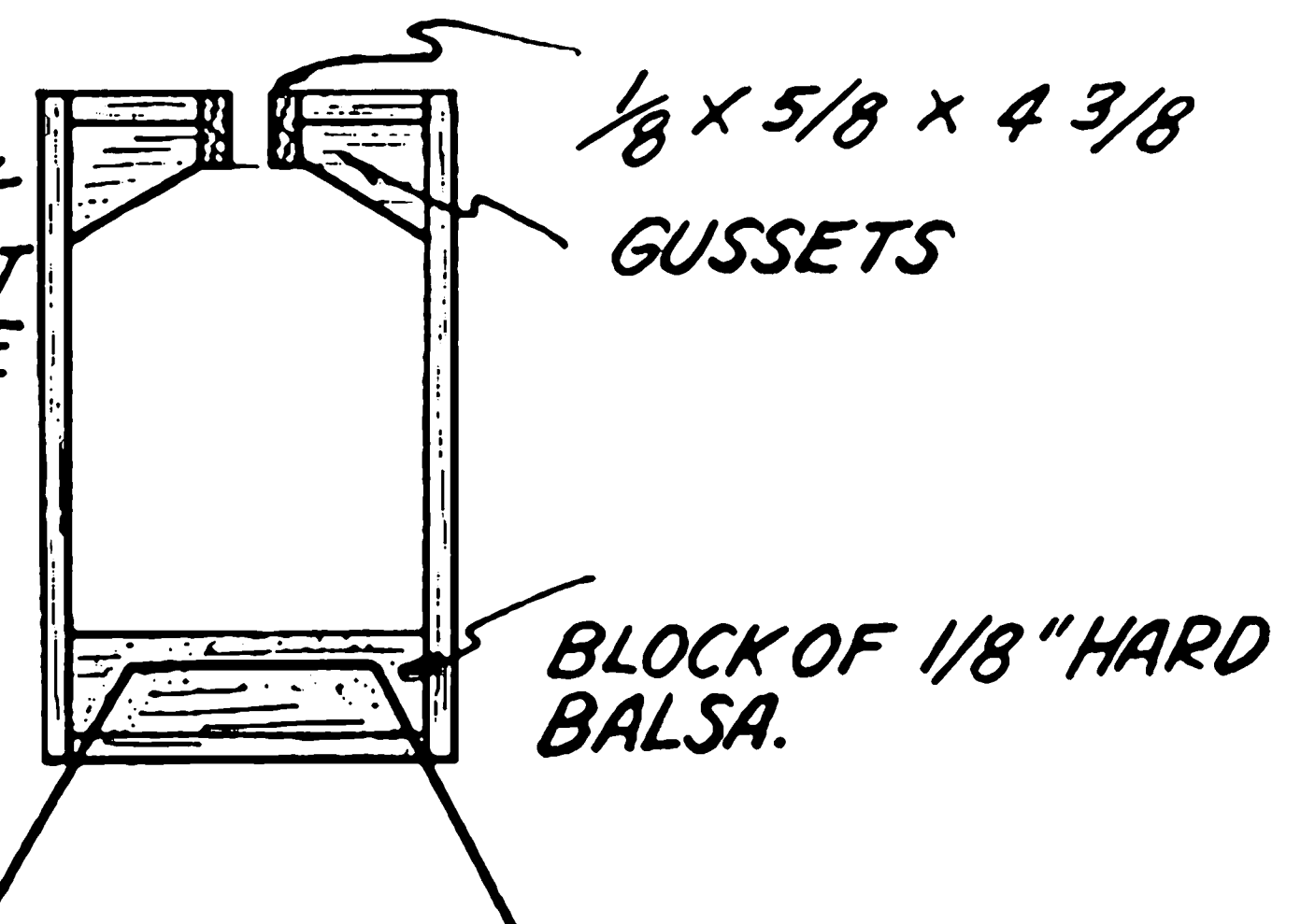
USE A 14" DIAMETER ~ 1 BLADE PROP WITH 10 STRANDS OF 3/16" FLAT RUBBER 25" LONG.



WING MOUNT IS CEMENTED INTO GROOVE BUILT INTO TOP SIDE OF FUSELAGE.

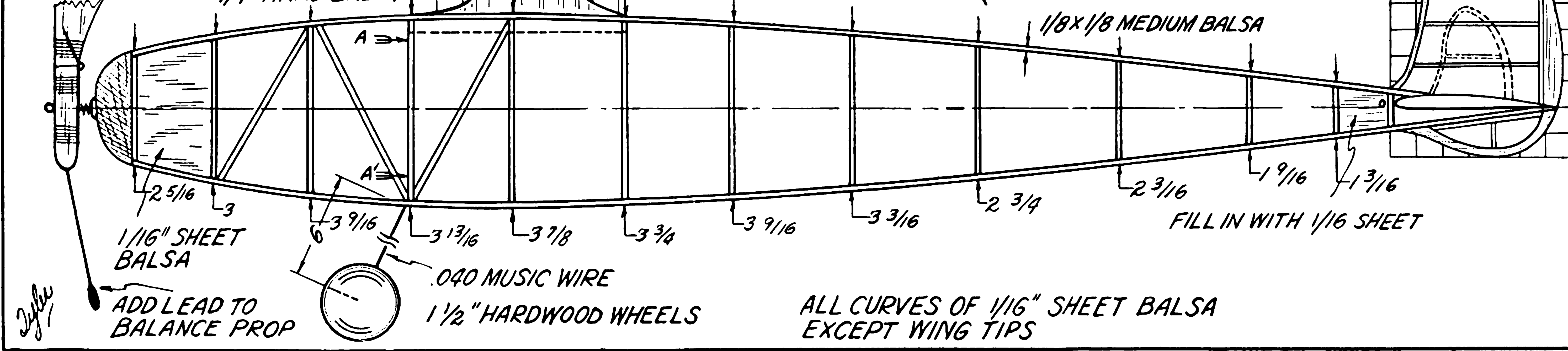


SECTION A-A' SHOWING HOW WING MOUNT & LANDING GEAR ARE ATTACHED TO FUSELAGE.

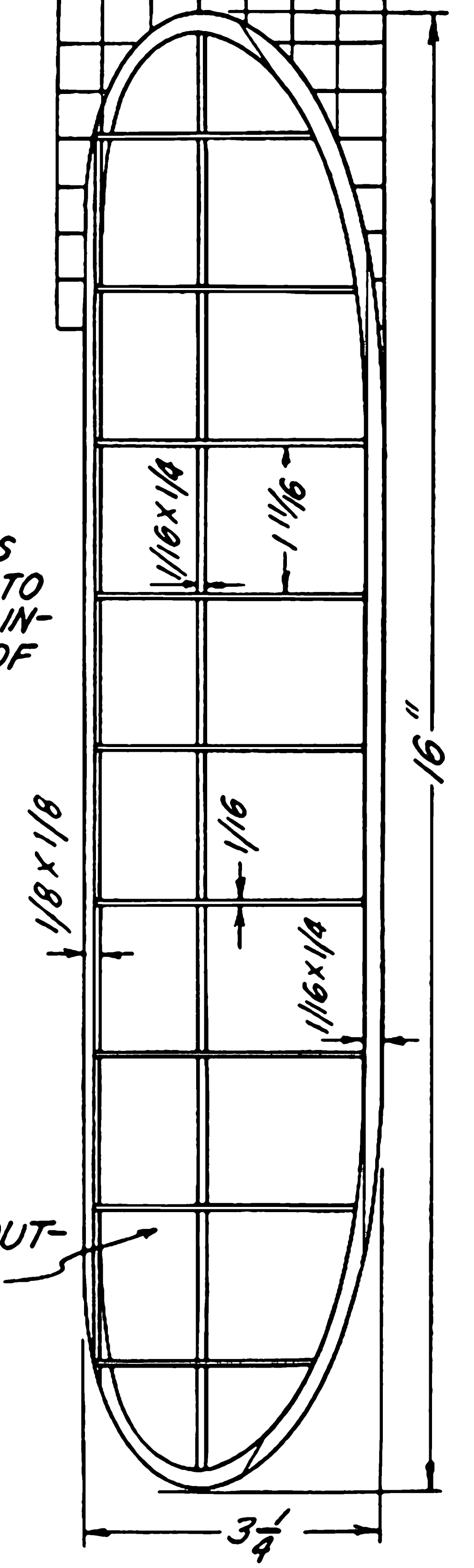


EACH SQUARE EQUALS 1/2"

POSITION OF OUTER RUDDERS.



ALL CURVES OF 1/16" SHEET BALSA EXCEPT WING TIPS



Class "C" SNIPE
Designed by
Andy & Frank Pavliga
Campbell, Ohio