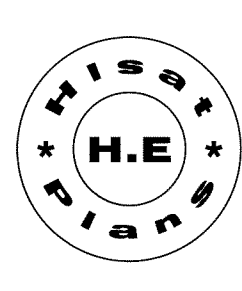


THE KENWAY "CAVU"

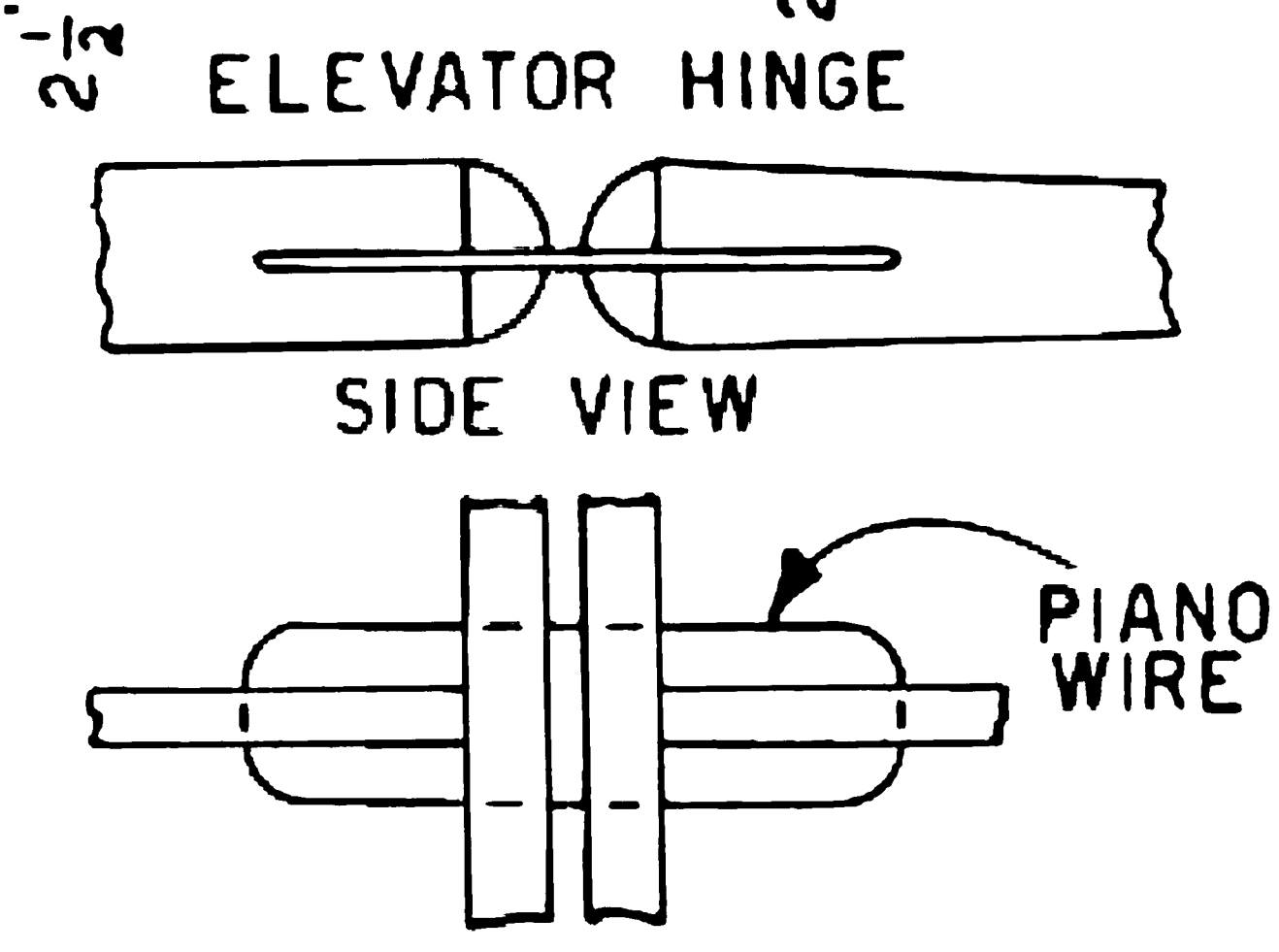
WEIGHT ——— 1 LB.
 SPAN ——— 42"
 LENGTH ——— 30"
 POWER ——— "ELF"
 SPEED ——— 24 M.P.H.
 GLIDE ——— 10 TO 1

DESIGNED &
 DRAWN BY:

Ken Willard

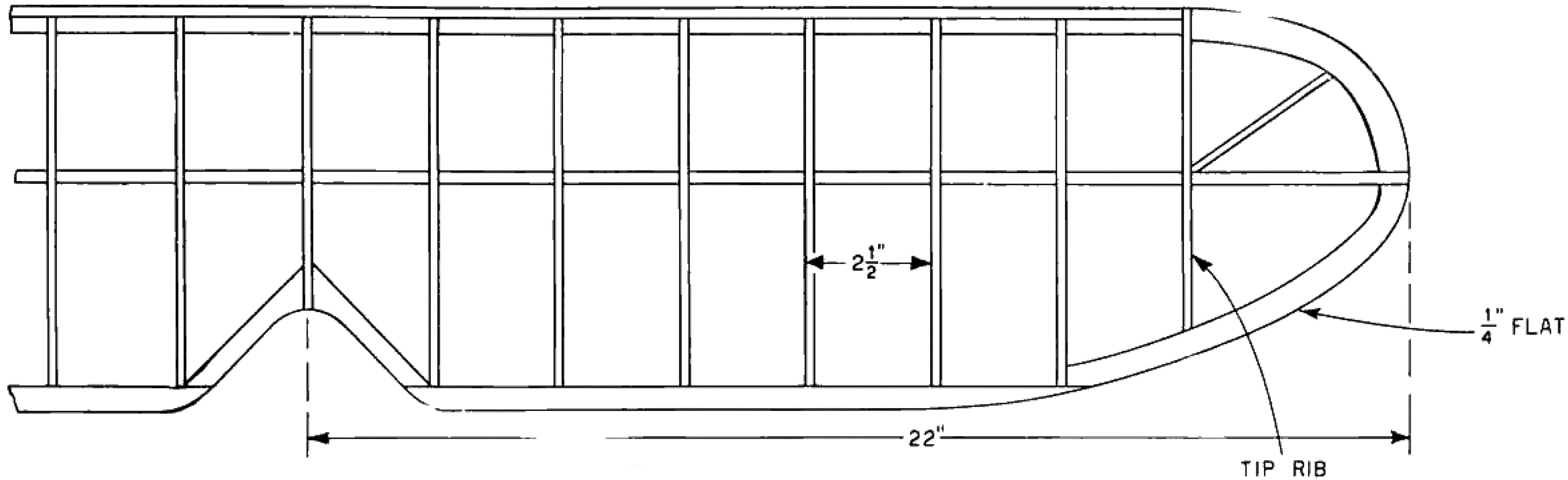


SCALE
 1/4" = 1"



TRACINGS BY **ELIX GUINAN**

LEADING EDGE

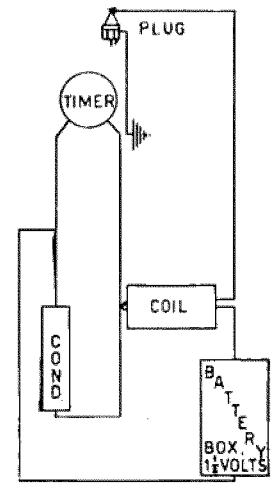
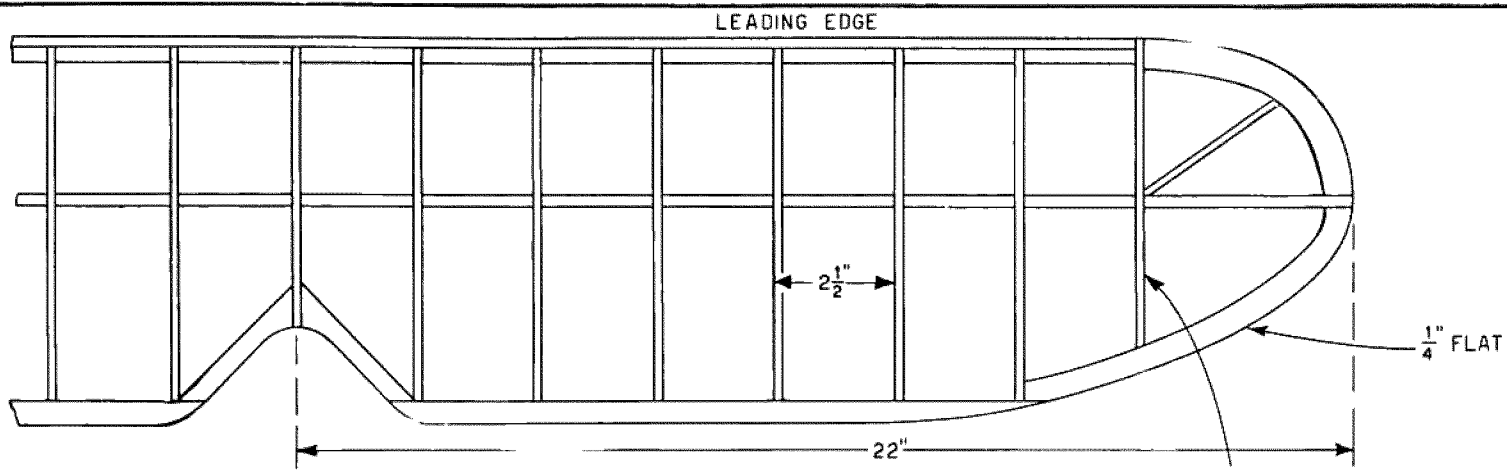


$2\frac{1}{2}$ "

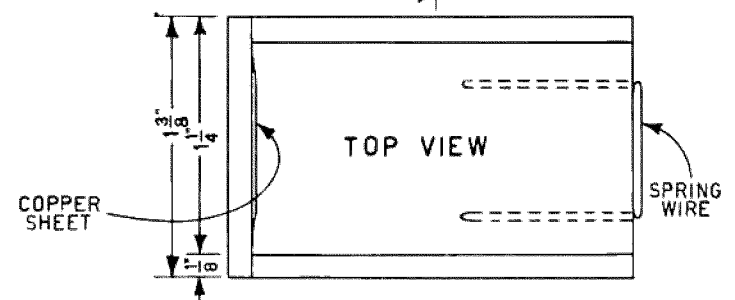
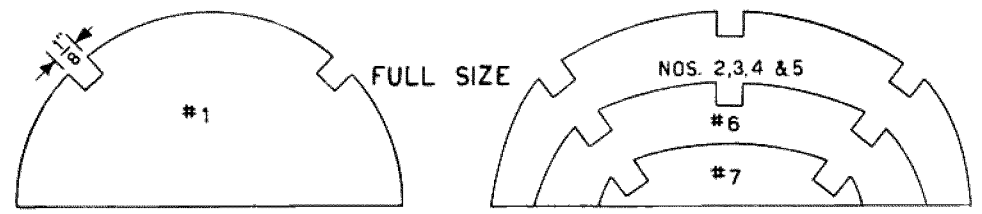
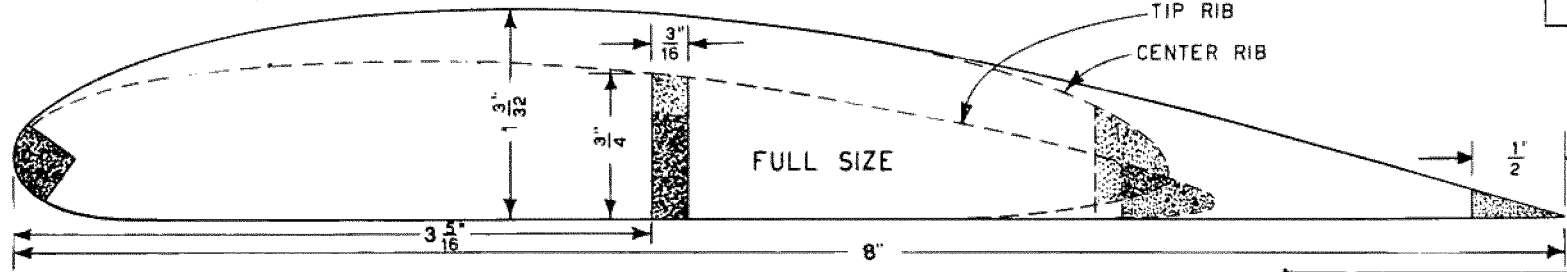
22"

$\frac{1}{4}$ " FLAT

TIP RIB



IGNITION CIRCUIT



PROPELLER BLOCK MARKING (1/2 SCALE)

