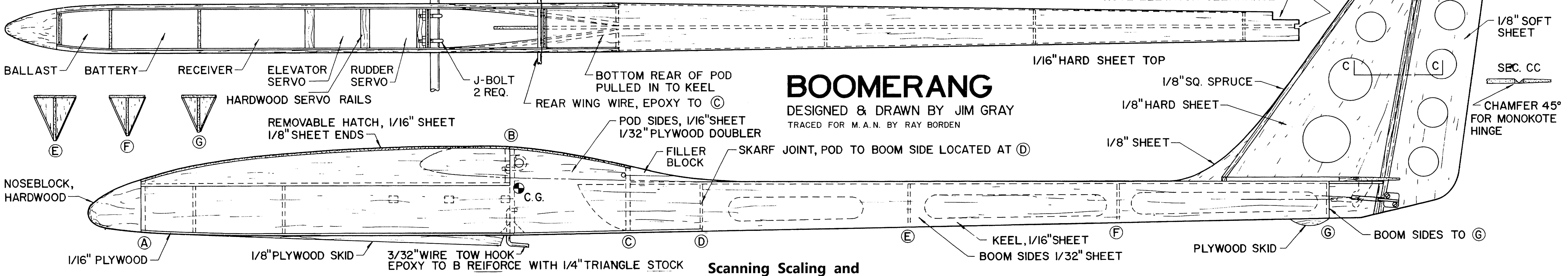
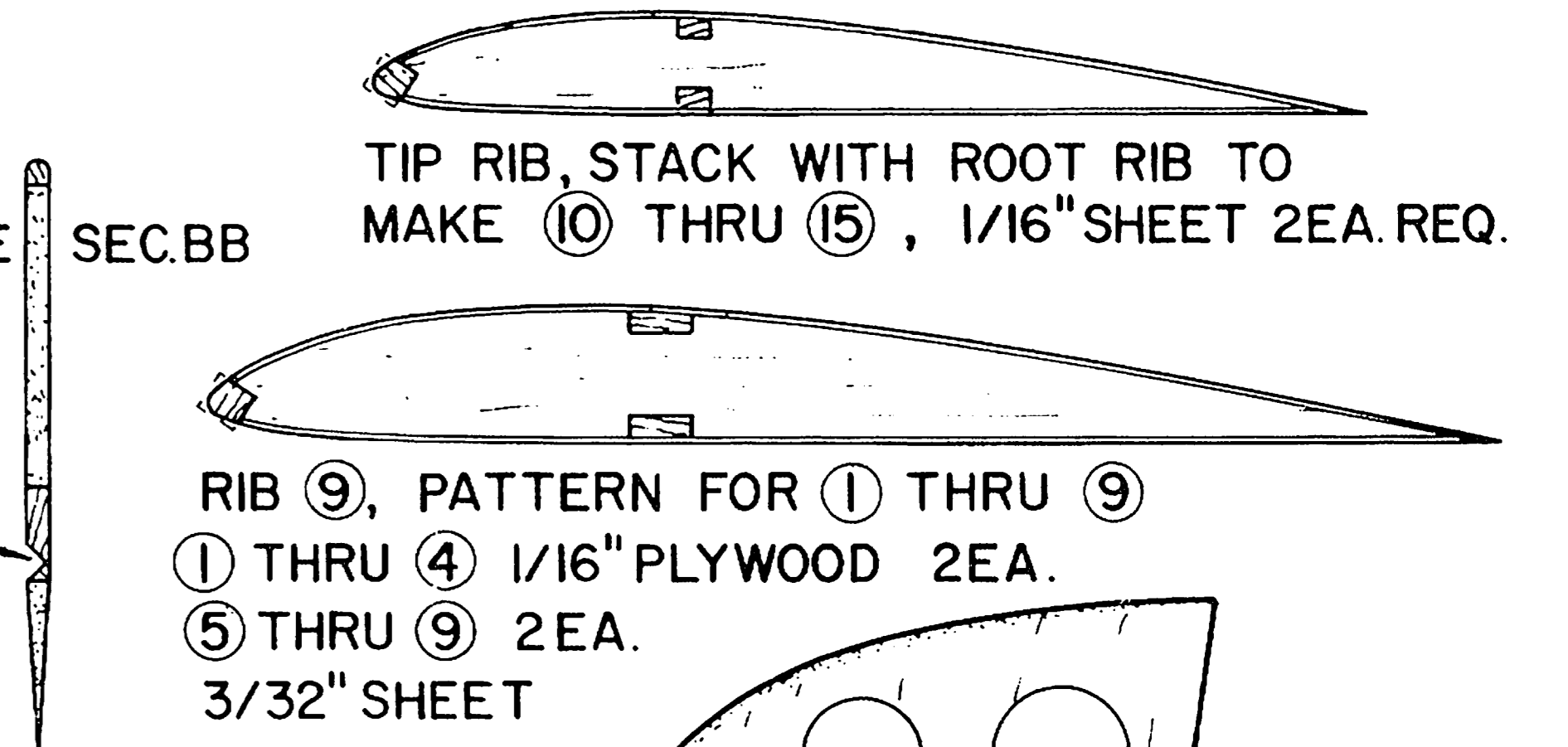
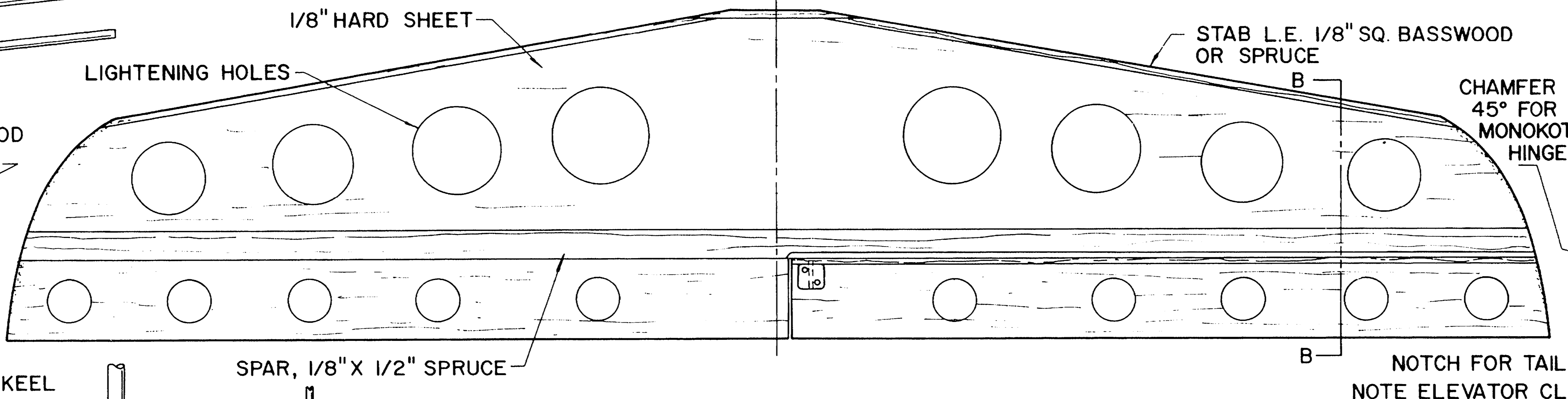
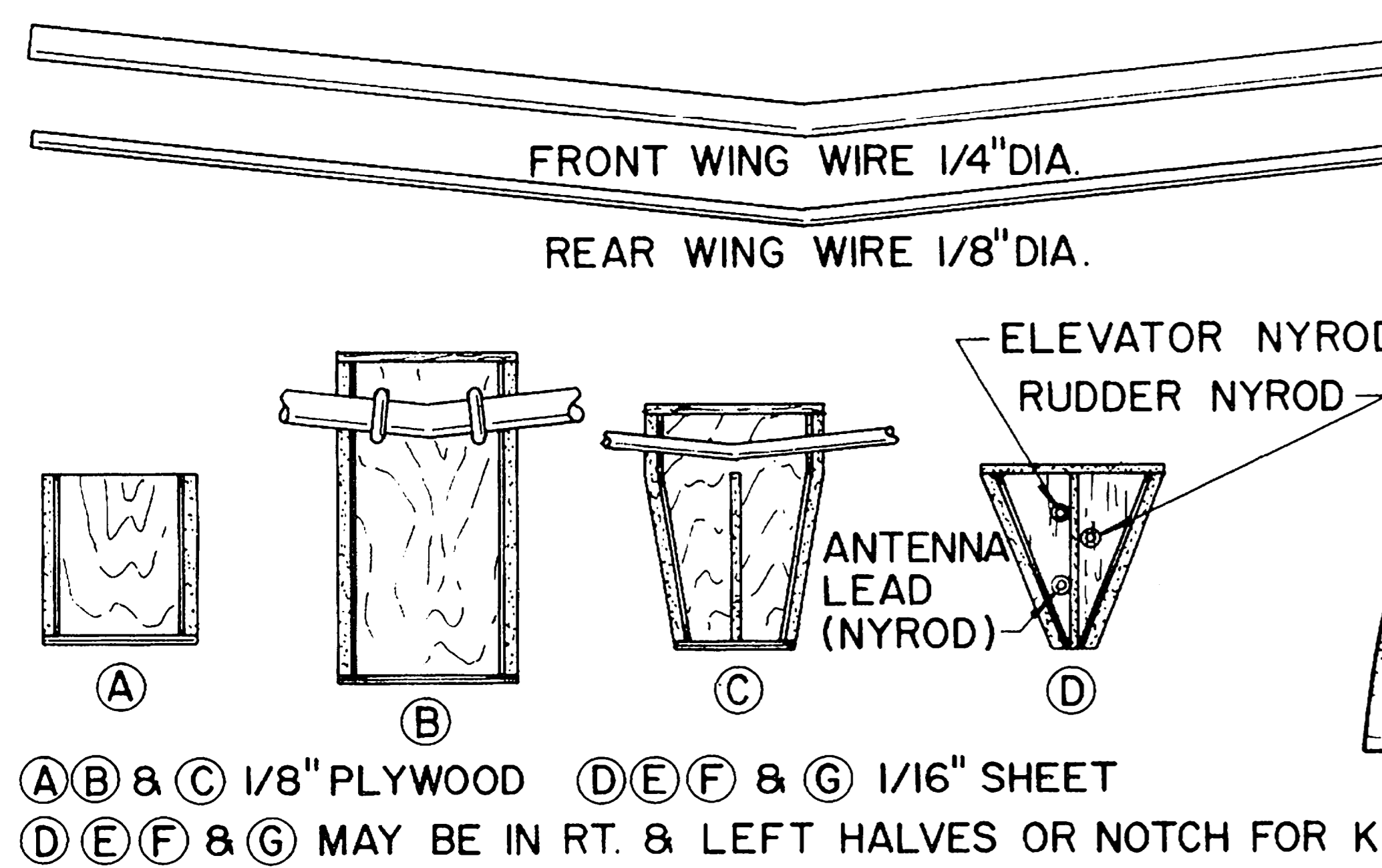


TILT RIB 1 FOR 6° DIHEDRAL (4 5/8" TO 6")

TIP, SOFT BLOCK OR FOAM



**BOOMERANG**  
 DESIGNED & DRAWN BY JIM GRAY  
 TRACED FOR M.A.N. BY RAY BORDEN

Scanning Scaling and Digitization by Hlsat