

SIDE VIEW

1/2 SCALE

TOP VIEW

1/2 SCALE

POSITION OF PANTS

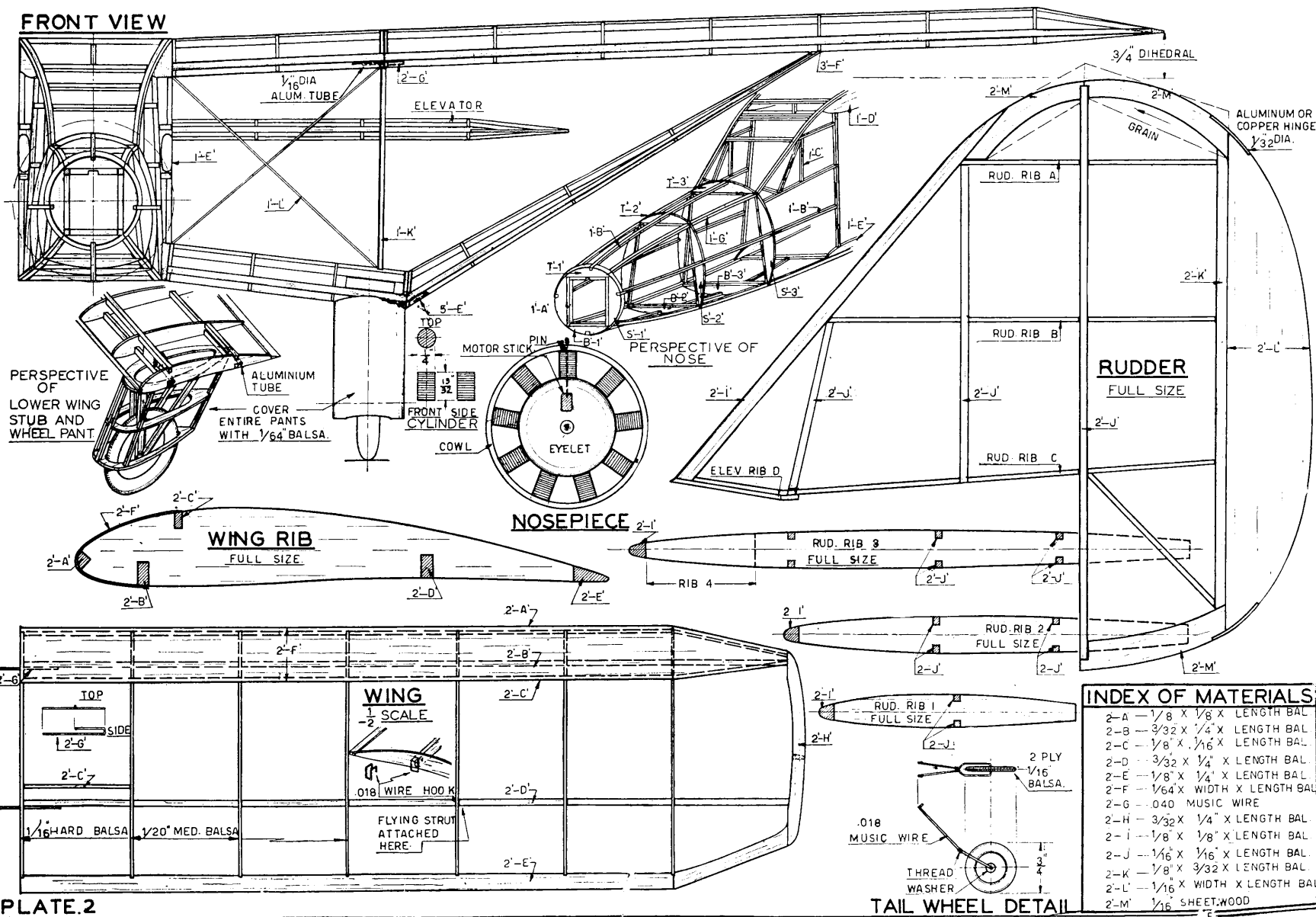
POSITION OF UPPER AND LOWER WING SUBS.

POSITION OF END OF 1/64 Balsa COVERING.

INDEX OF MATERIALS

- I-A' - 1/4" X 3/32" Balsa.
- I-B' - 1/16" X 1/16" Balsa
- I-C' - 1/8" X 1/16" Balsa
- I-D' } 3/32" SHEET Balsa
- I-E' }
- I-F' - 1/32" SHEET Balsa.
- I-G' - 3/32" X 3/32" Balsa
- I-H' - 3/32" X 1/4" L. Balsa
- I-I' - 1/4" X 3/16" X 17/8" Balsa
- I-J' - 3/32" X 1/8" Balsa
- I-K' - 1/8" X 1/4" Balsa
- I-L' - 3/64" DIA. BAMBOO.

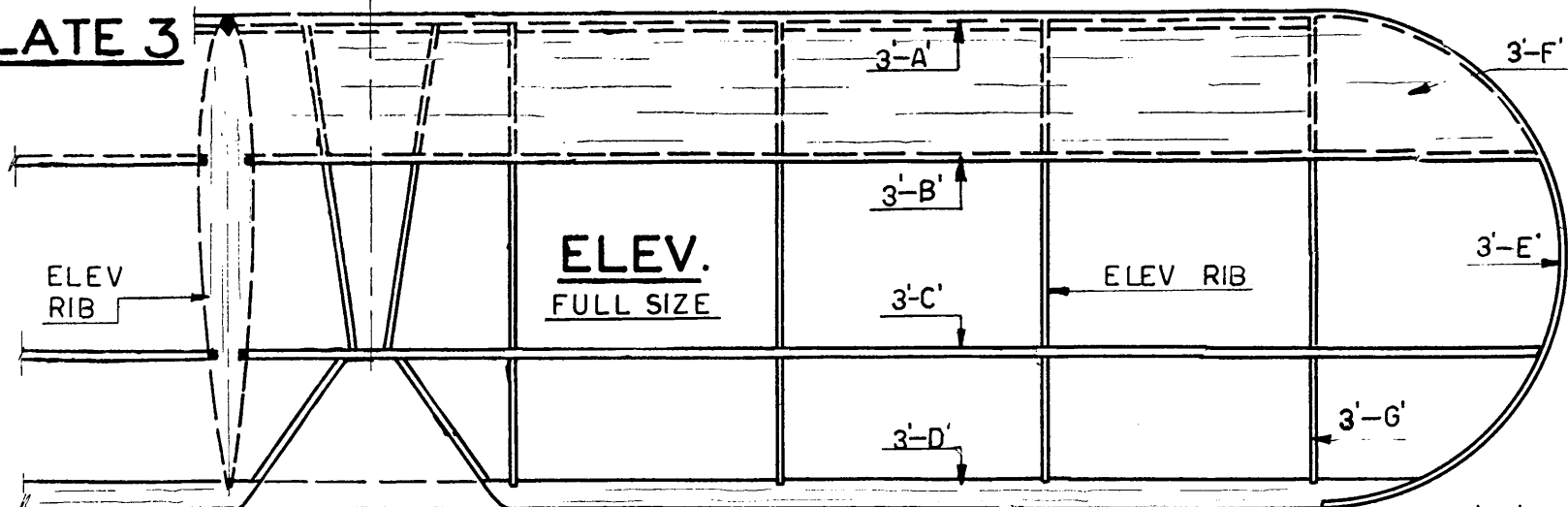
FRONT VIEW



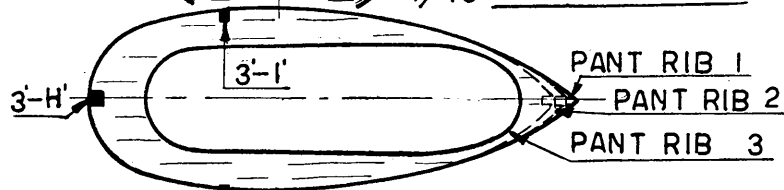
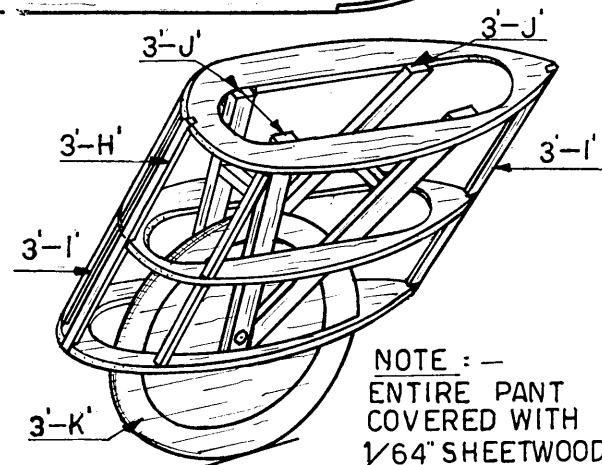
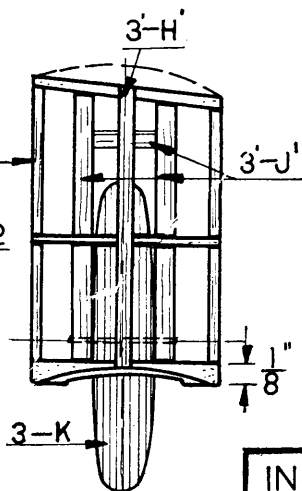
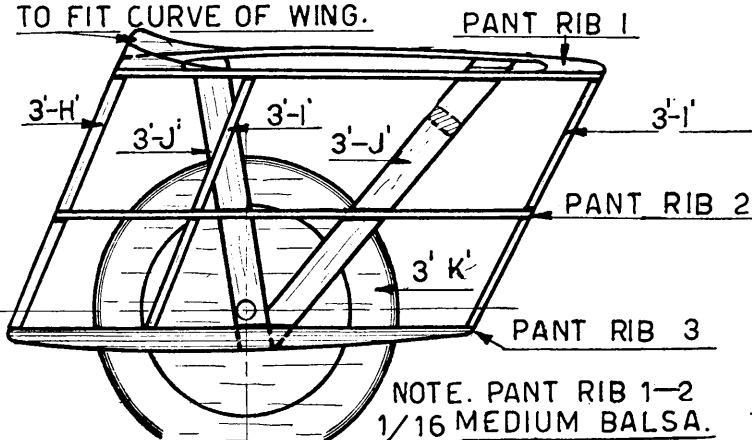
INDEX OF MATERIALS:

- 2-A -- 1/8 x 1/8 x LENGTH BAL.
- 2-B -- 3/32 x 1/4 x LENGTH BAL.
- 2-C -- 1/8 x 1/16 x LENGTH BAL.
- 2-D -- 3/32 x 1/4 x LENGTH BAL.
- 2-E -- 1/8 x 1/4 x LENGTH BAL.
- 2-F -- 1/64 x WIDTH x LENGTH BAL.
- 2-G -- .040 MUSIC WIRE
- 2-H -- 3/32 x 1/4 x LENGTH BAL.
- 2-I -- 1/8 x 1/8 x LENGTH BAL.
- 2-J -- 1/16 x 1/16 x LENGTH BAL.
- 2-K -- 1/8 x 3/32 x LENGTH BAL.
- 2-L -- 1/16 x WIDTH x LENGTH BAL.
- 2-M -- 1/16 SHEET WOOD

PLATE 3



OVERLAP Balsa COVERING TO FIT CURVE OF WING.



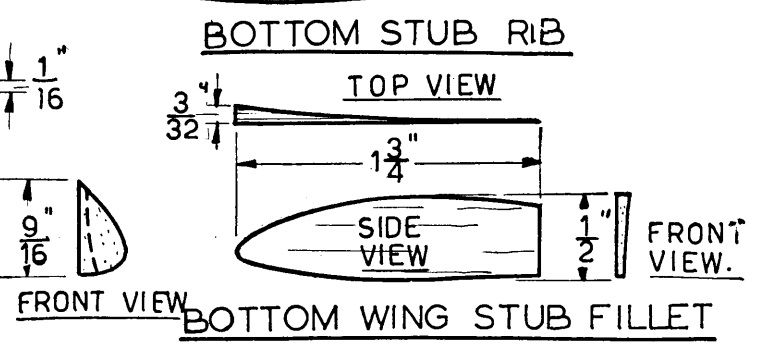
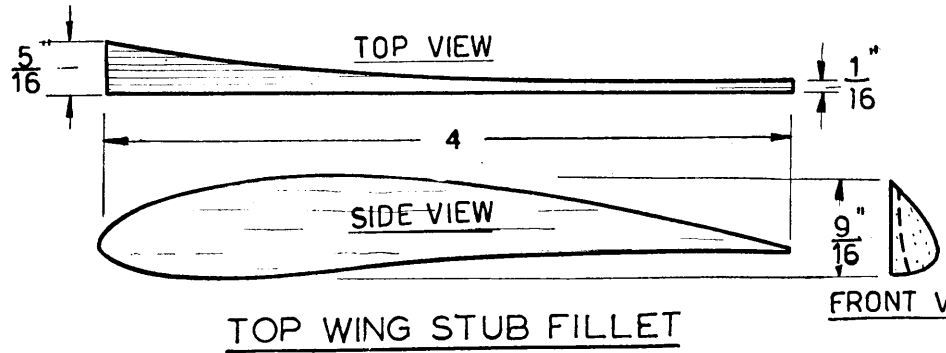
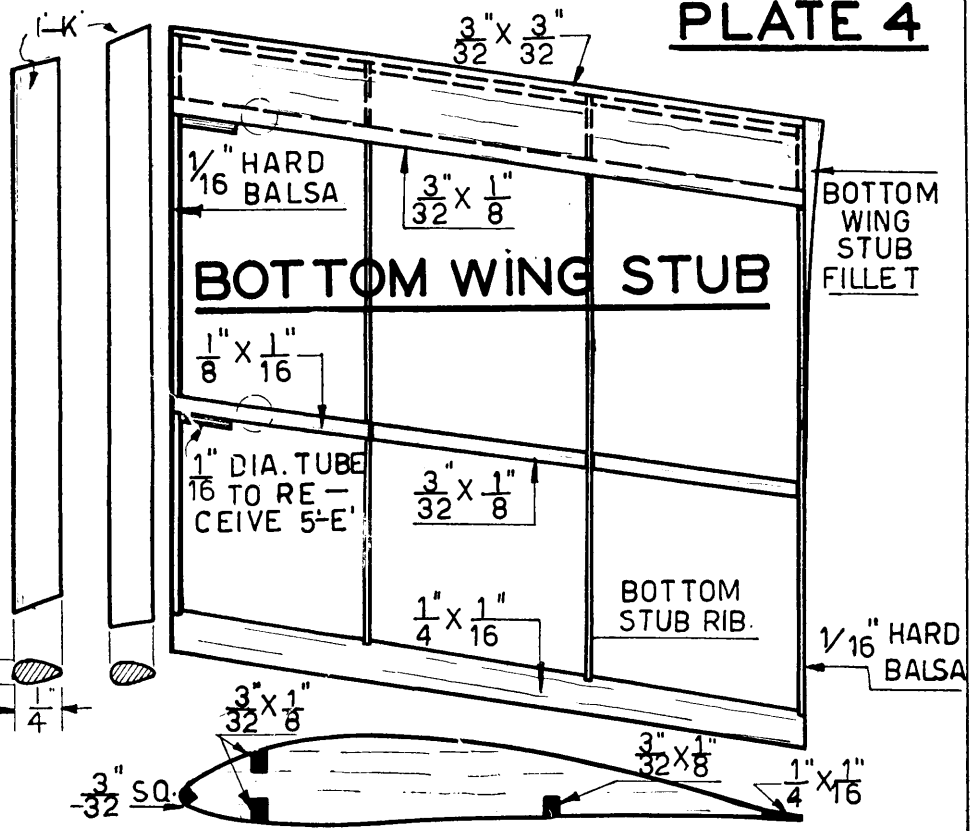
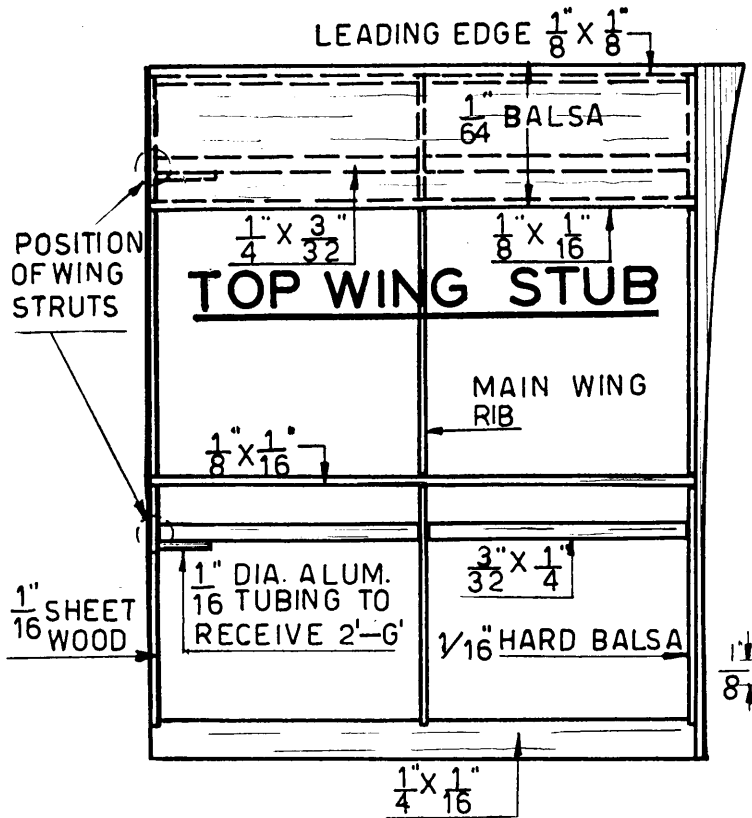
INDEX OF MATERIALS

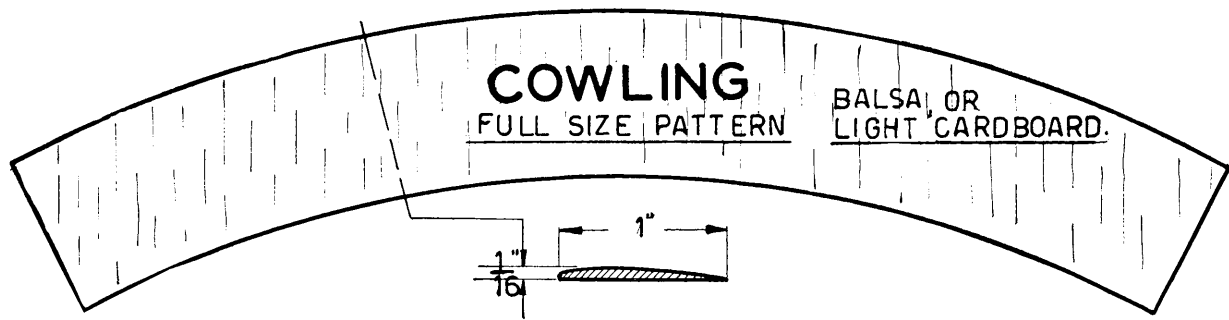
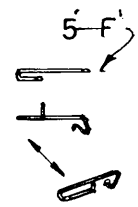
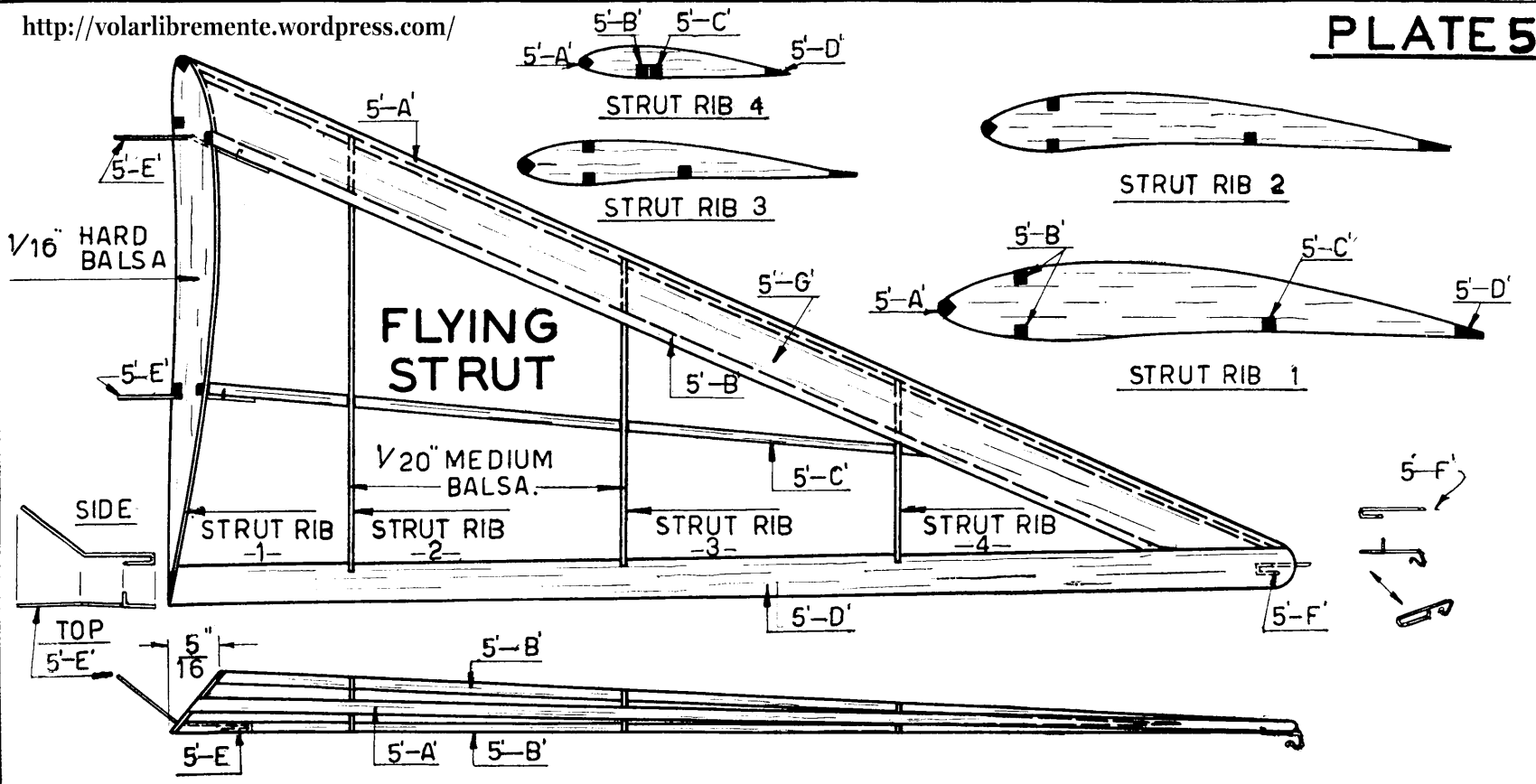
3-A	1/8" X 1/8" X LENGTH BAL	3-G	1/20" SHEET WOOD
3-B	1/16 X 1/16" " "	3-H	3/32" X 3/32" X LEN.
3-C	1/16 X 1/16" " "	3-I	1/16" X 1/16" X LENGTH
3-D	3/16" X 1/16" " "	3-J	3/16" X 1/8" X LENGTH
3-E	3/64" DIA. BAMBOO	3-K	3/8 X 1 3/4" DIA. BAL.
3-F	1/64" Balsa COVERING		

PLATE 4

JULY
1937

MODEL AIRPLANE NEWS





INDEX OF MATERIALS	
5'-A'	3/32" X 3/32" X LEN.
5'-B'	3/32" X 3/32" X LEN.
5'-C'	3/32" X 3/32" X LEN.
5'-D'	1/4" X 1/16" X LEN.
5'-E'	.040 MUSIC WIRE
5'-F'	.018 MUSIC WIRE
5'-G'	1/64" BALSA COVERING

