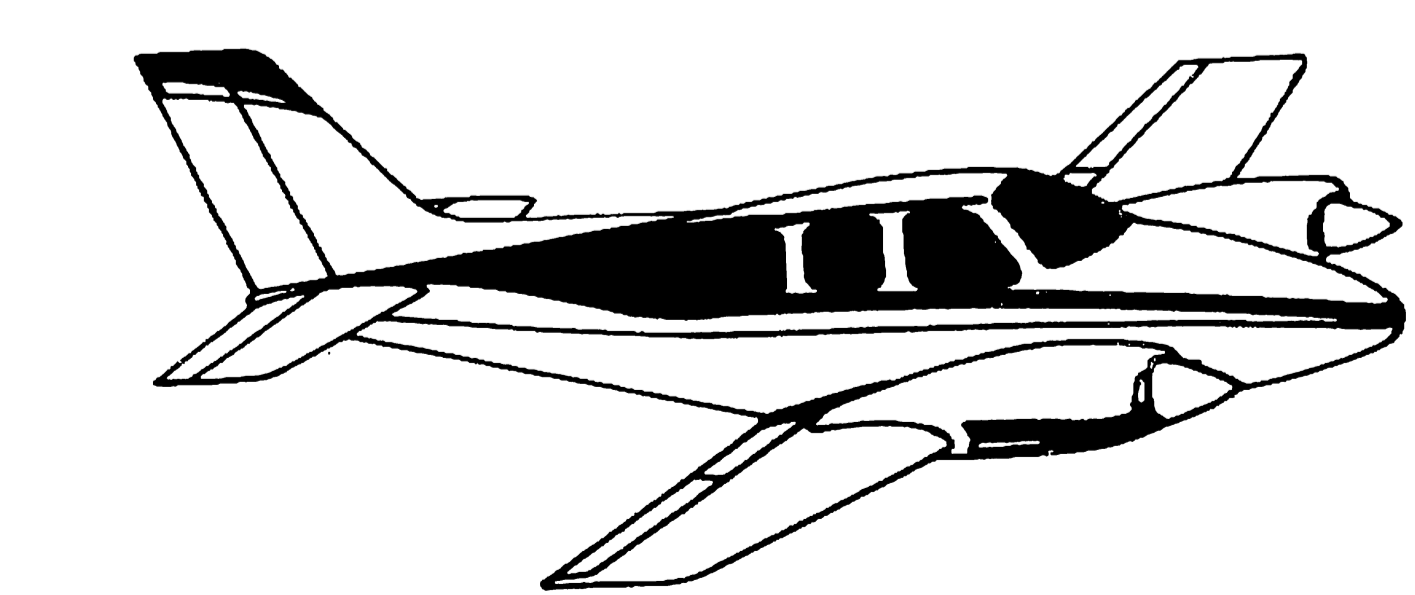
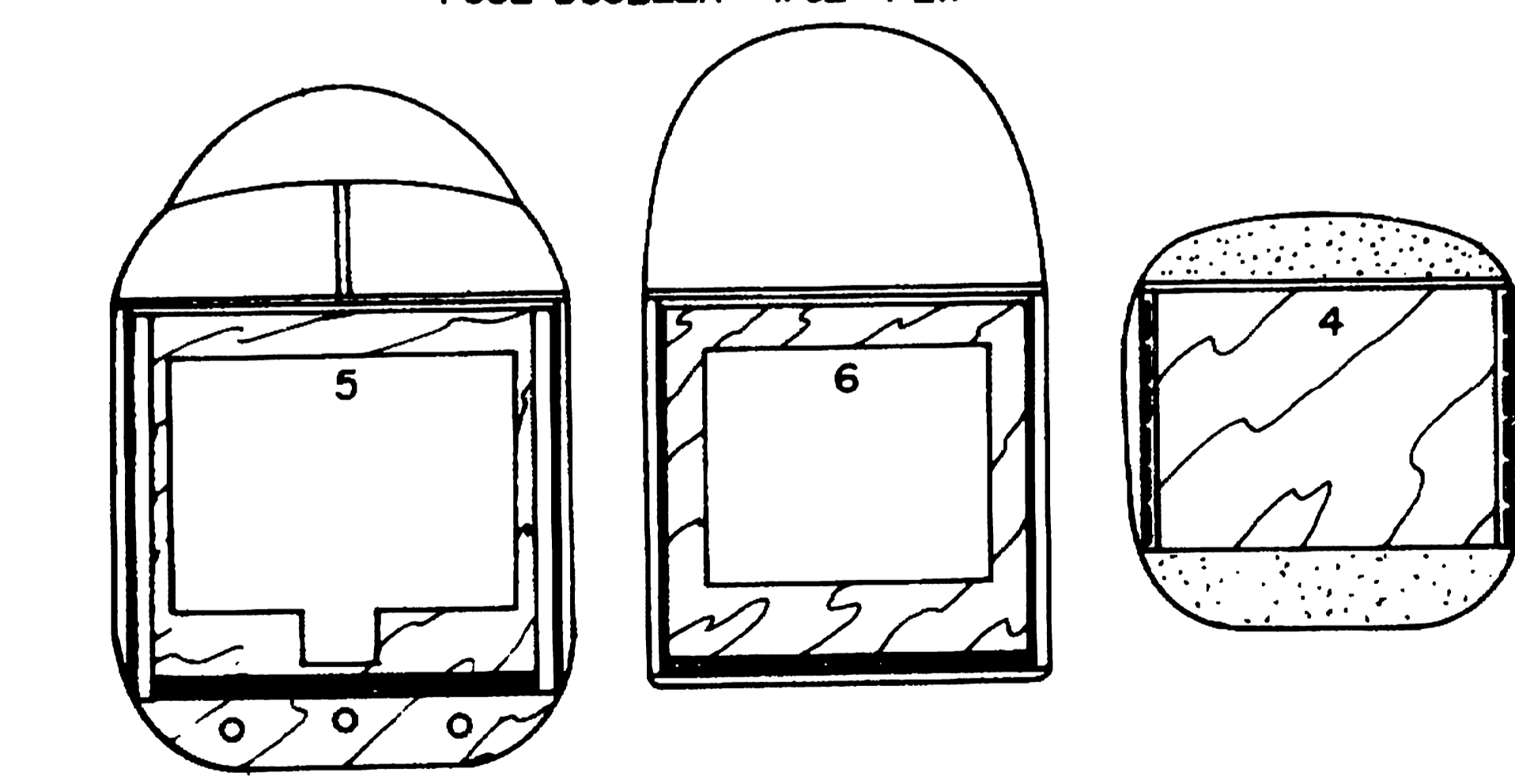
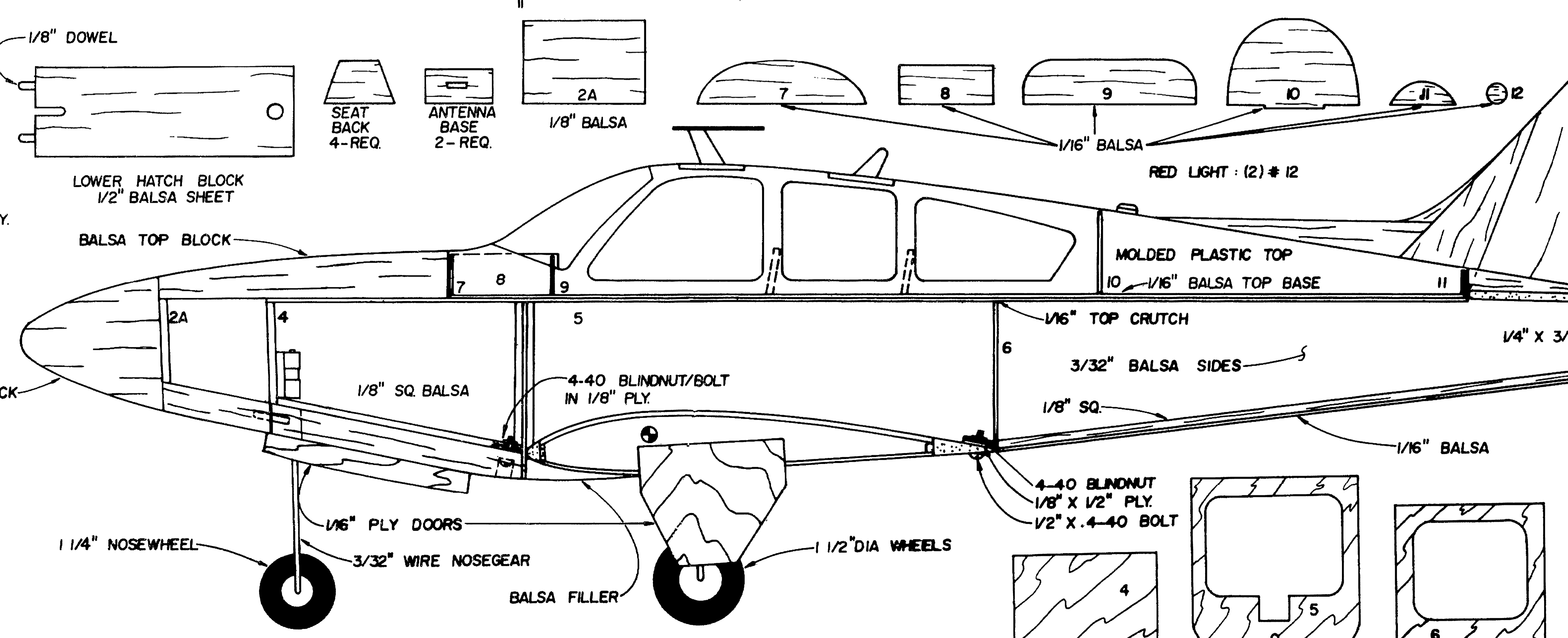
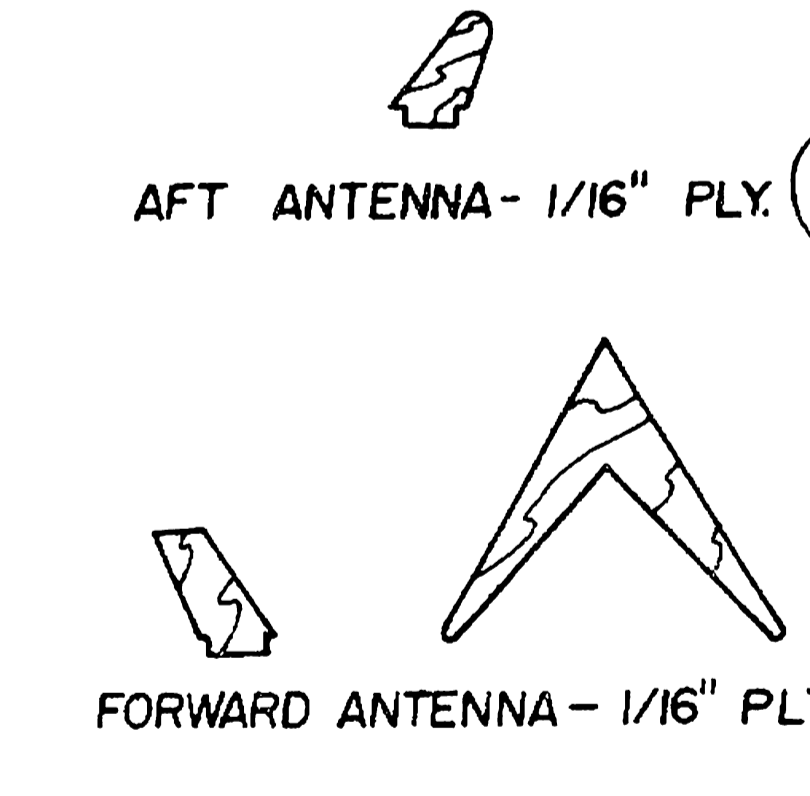
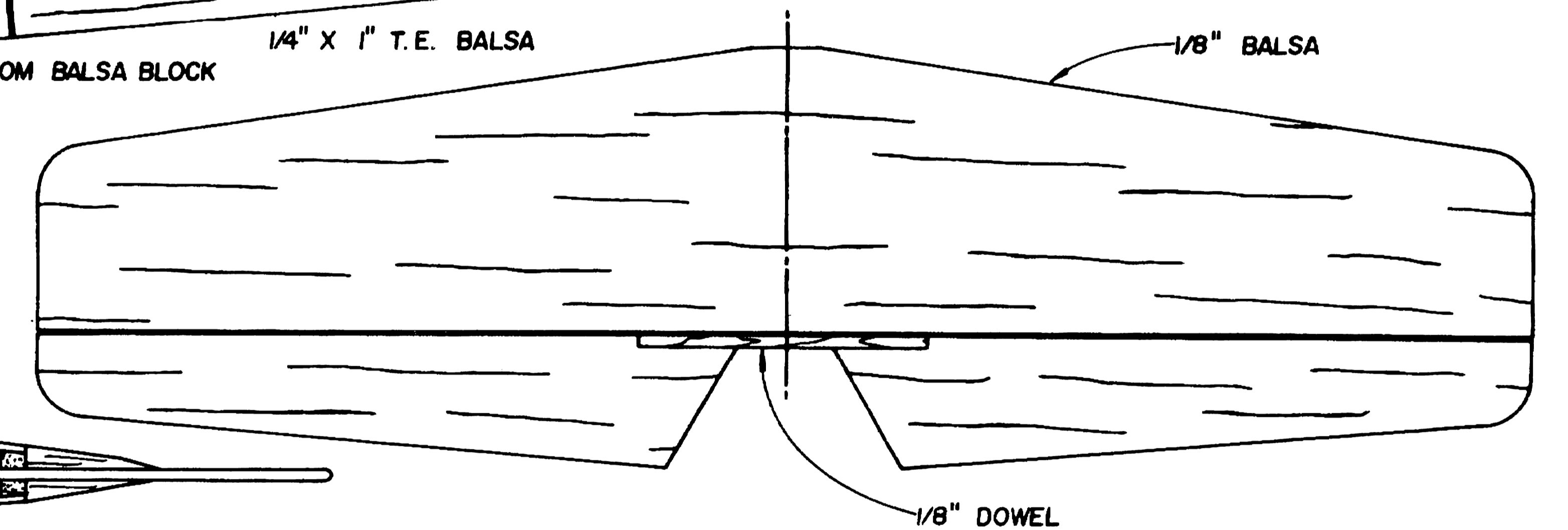
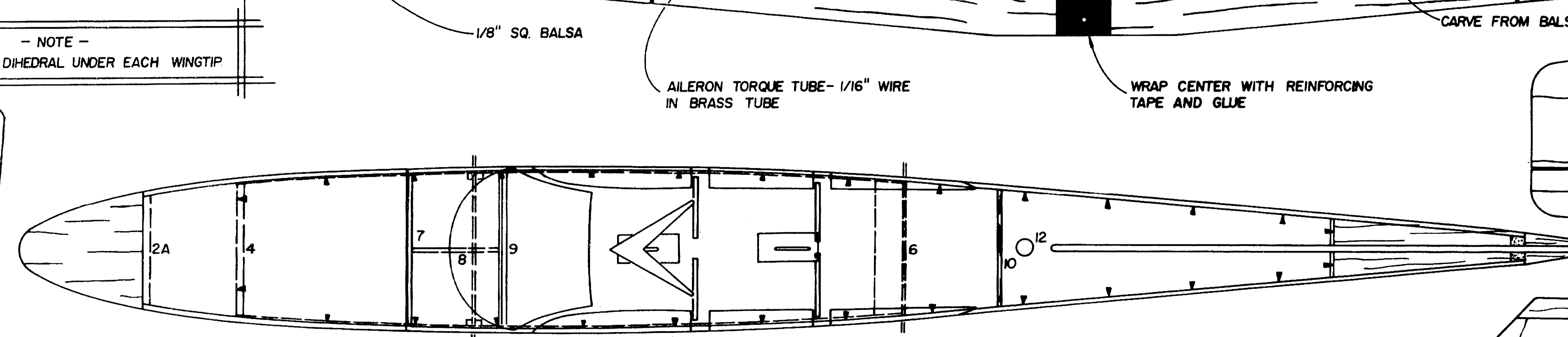
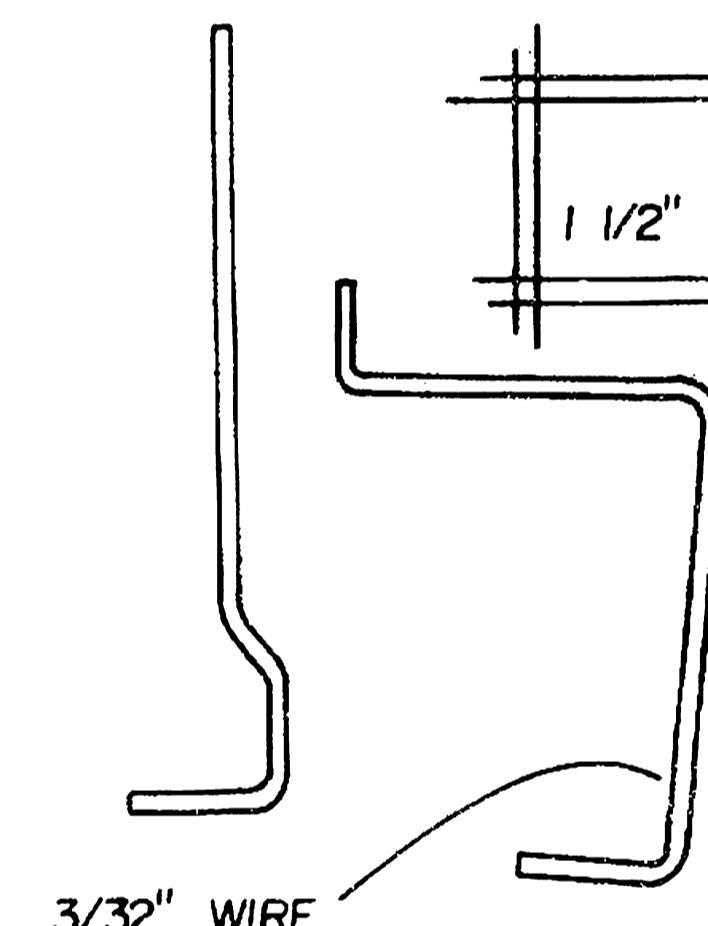
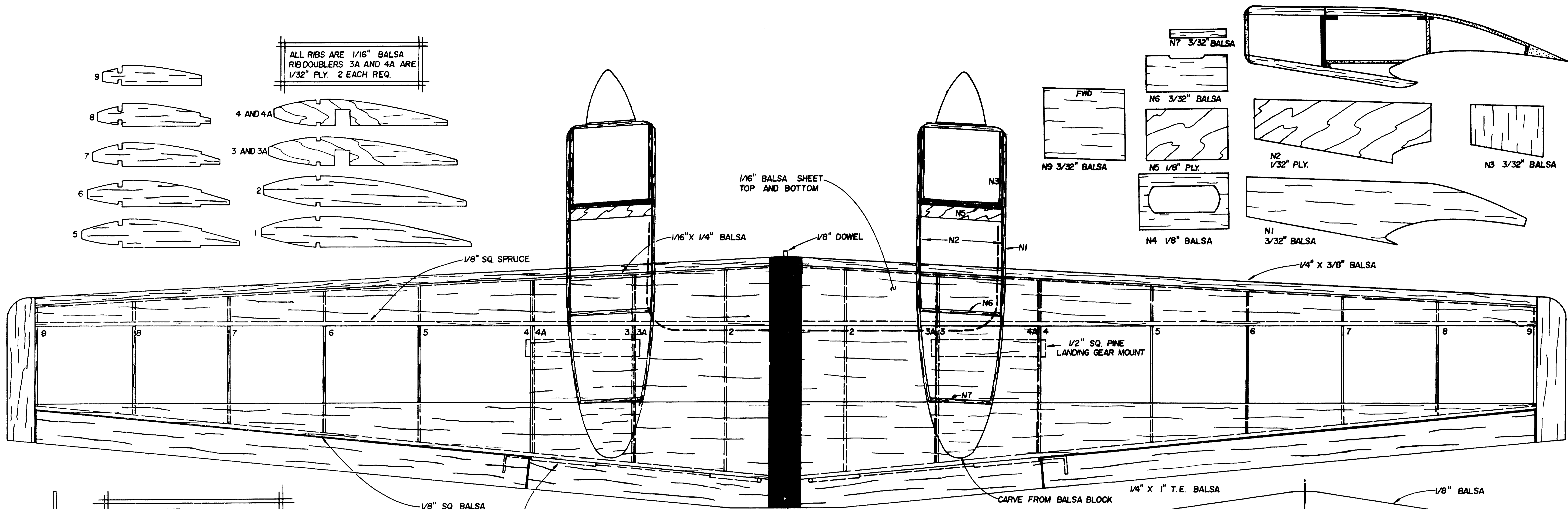
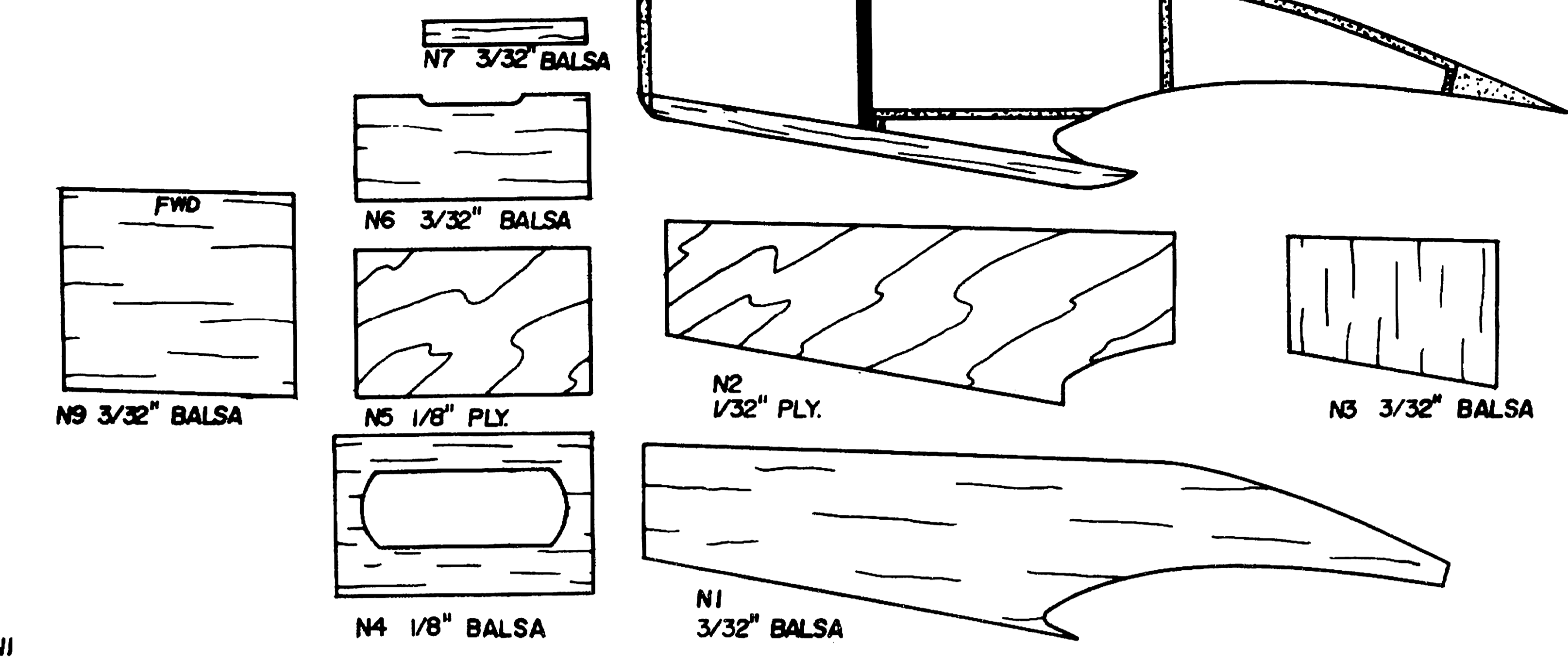
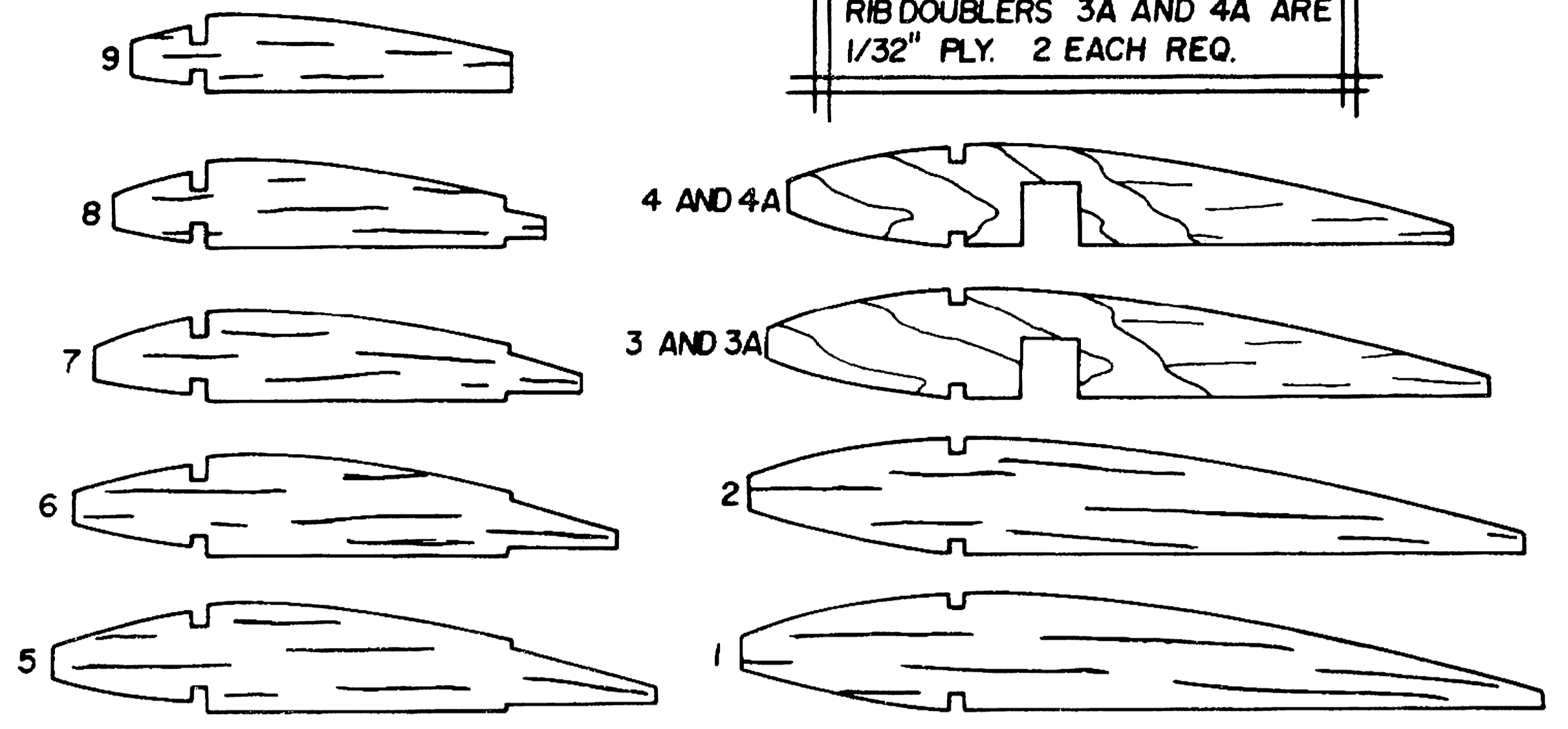
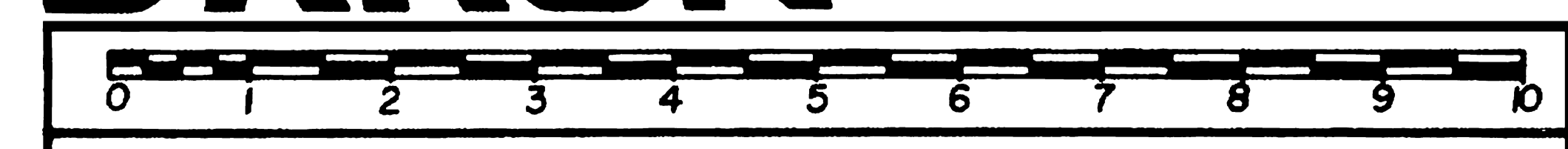


ALL RIBS ARE 1/16" Balsa  
RIB DOUBLERS 3A AND 4A ARE  
1/32" PLY. 2 EACH REQ.



# BEECHCRAFT BARON



DESIGNED AND DRAWN BY: GEORGE E. CALDWELL