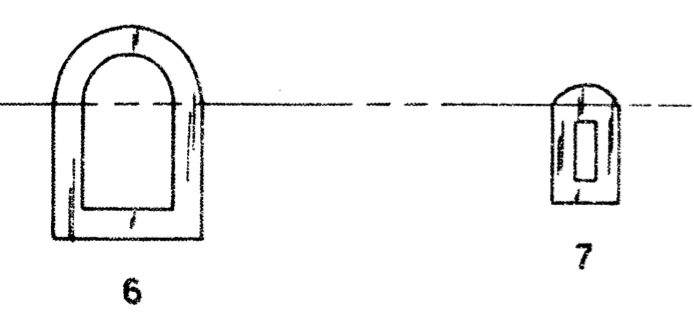


BULKHEADS 1 TO 4 MADE OF 1/8" SHEET  
 BULKHEADS 5 TO 7 MADE OF 1/16" SHEET



NOTE: RADIATOR ASSEMBLY HELD IN PLACE WITH STRAIGHT PIN

