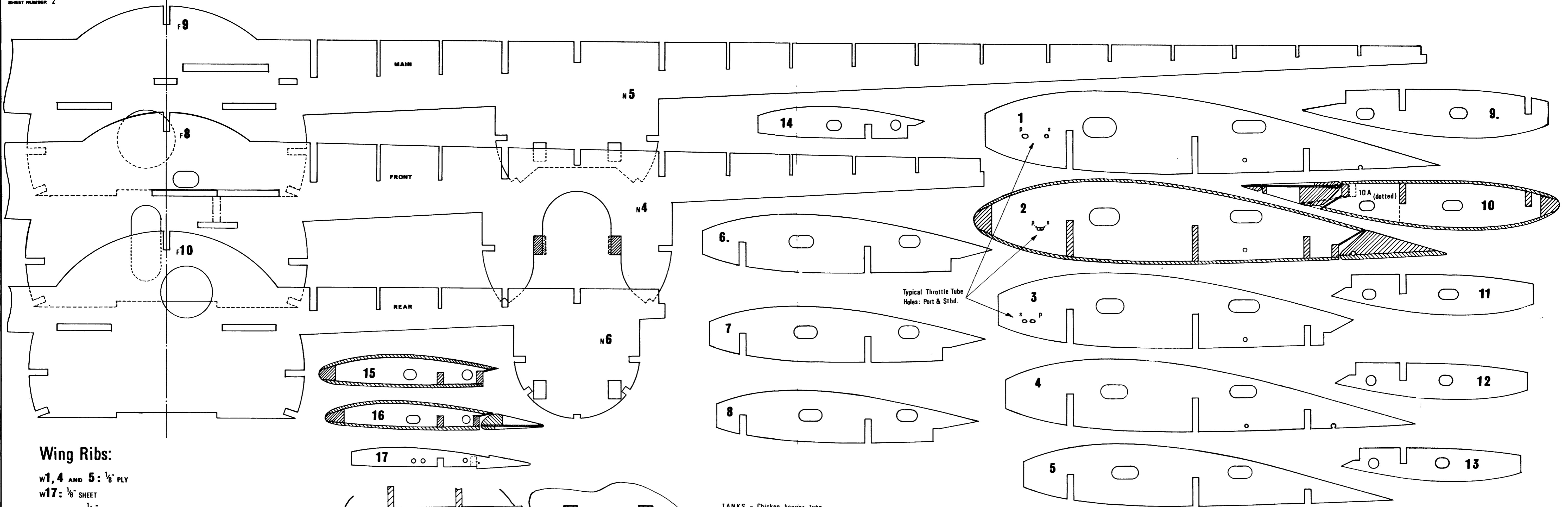


Martin Marauder B.26.B-20.
 1/16th scale (3/4" equals 1' 0")
 53 1/4" Span True Scale C/L Model.
 Designed & Drawn by
 John Simmance.

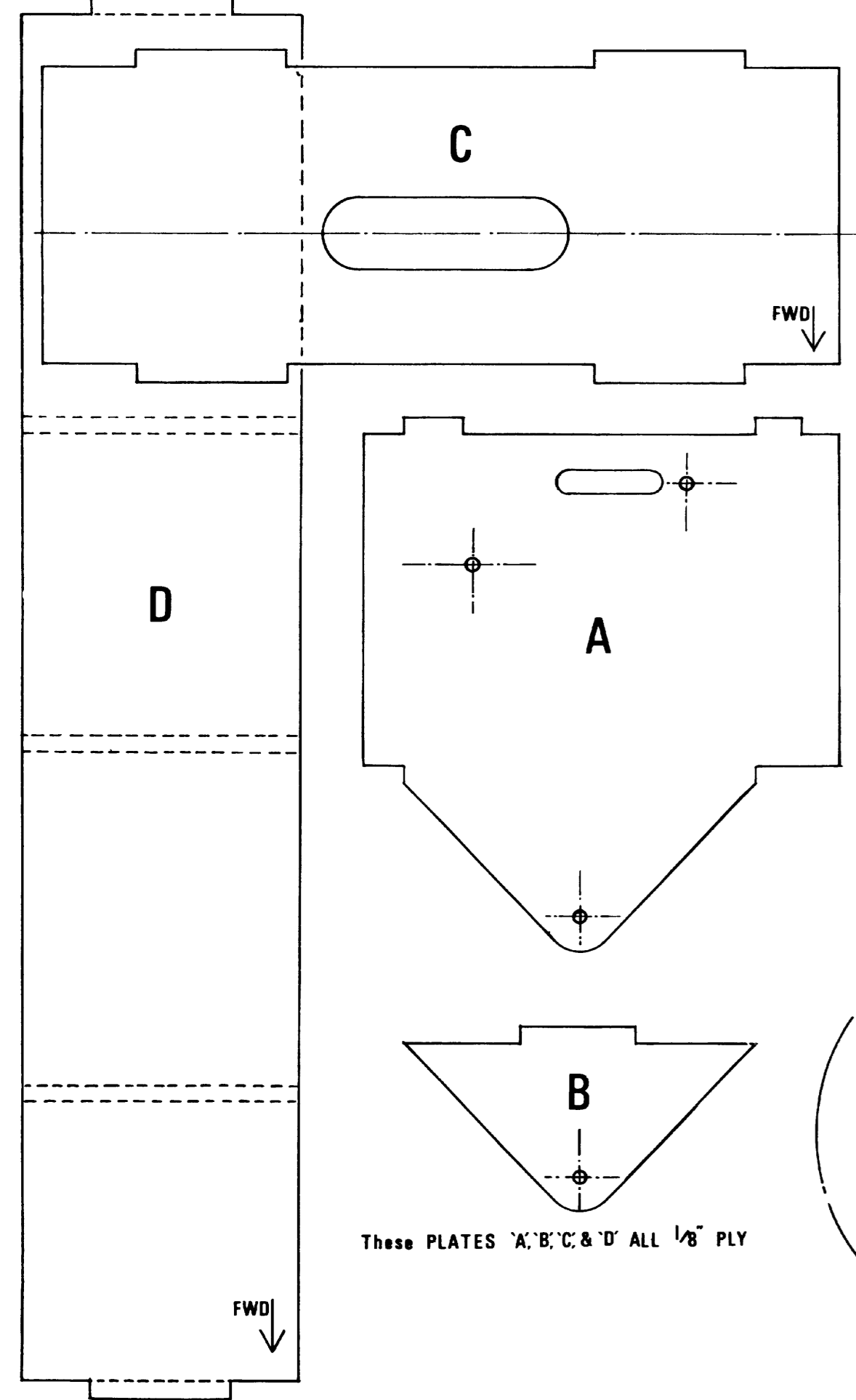
MODEL AIRPLANE NEWS
 551 FIFTH AVENUE • NEW YORK 17, N.Y.

70A Martin Marauder De Havilland DH-4

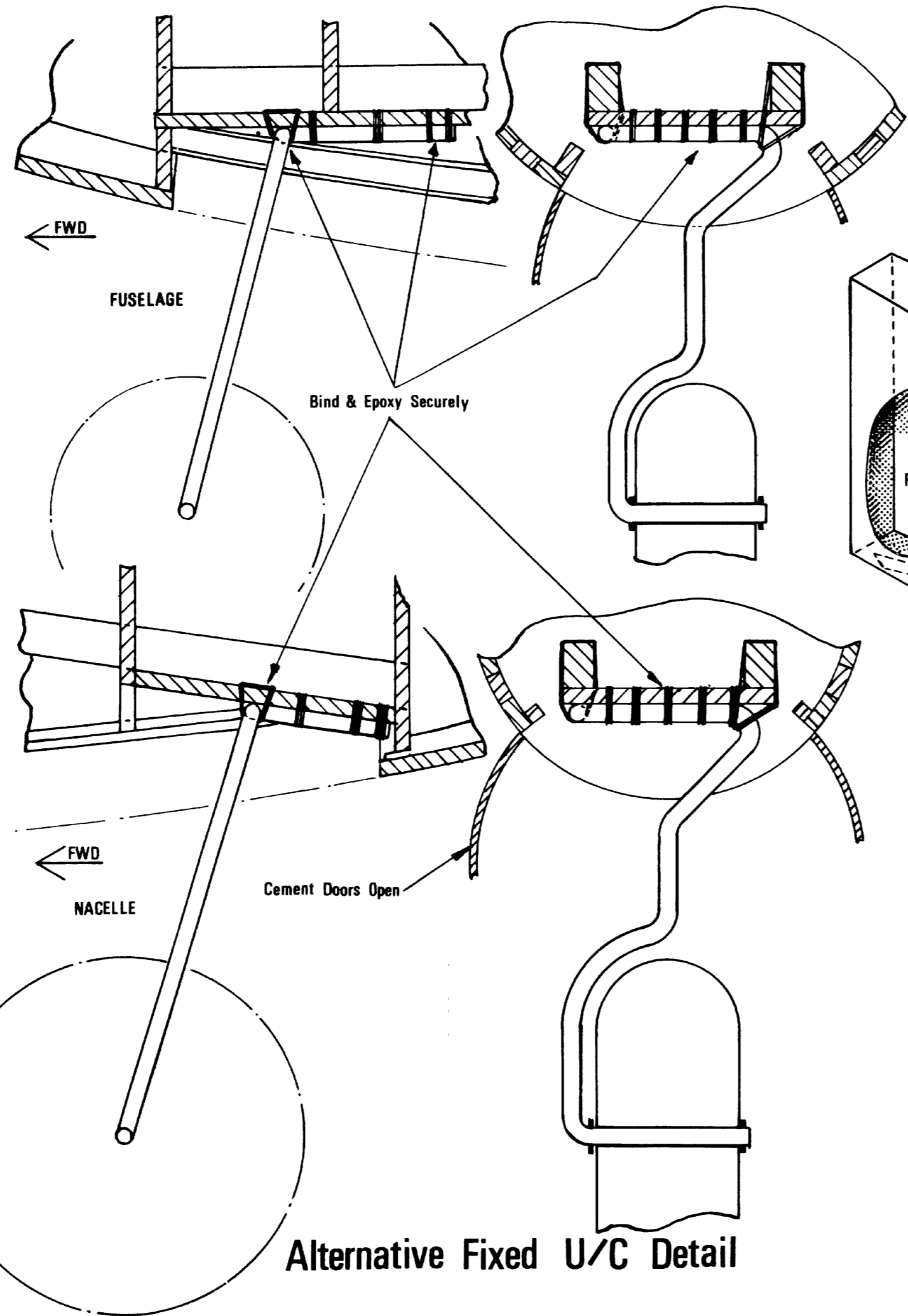


Wing Ribs:

W1, 4 AND 5: 1/8" PLY
 W17: 1/8" SHEET
 REMAINDER: 1/16" SHEET

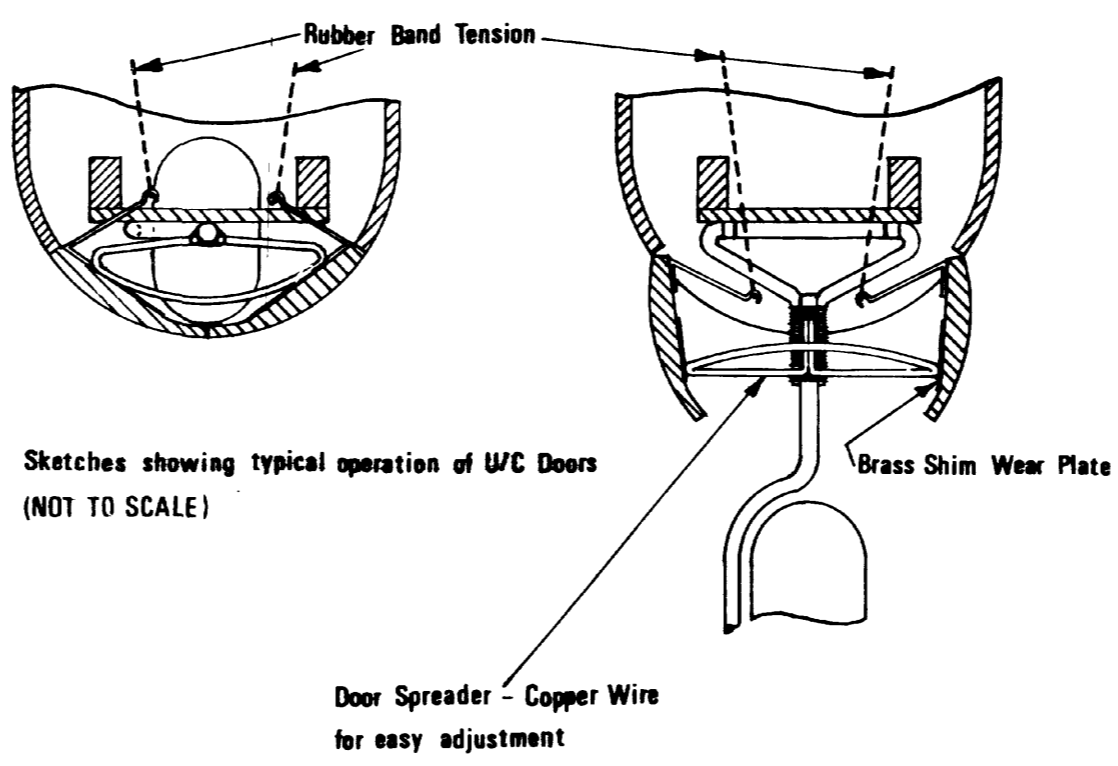
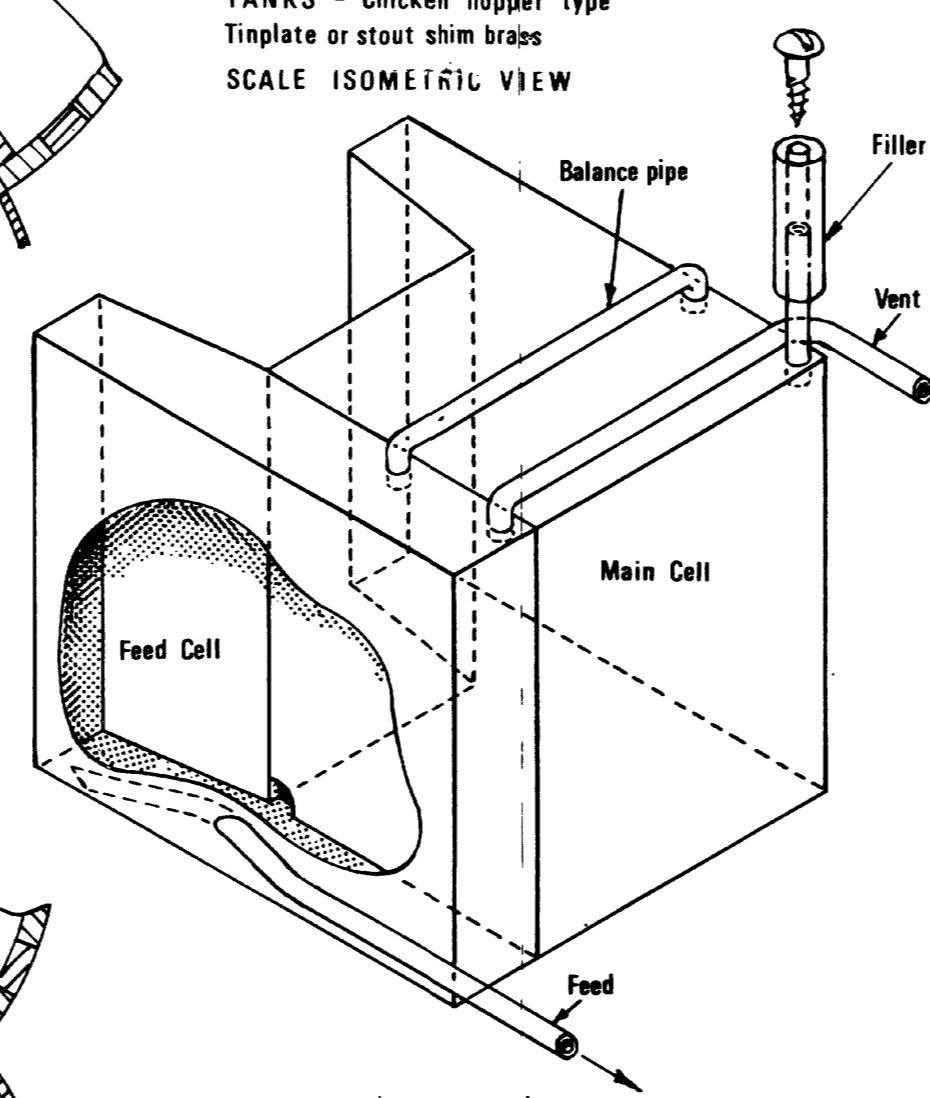


These PLATES 'A', 'B', 'C' & 'D' ALL 1/8" PLY

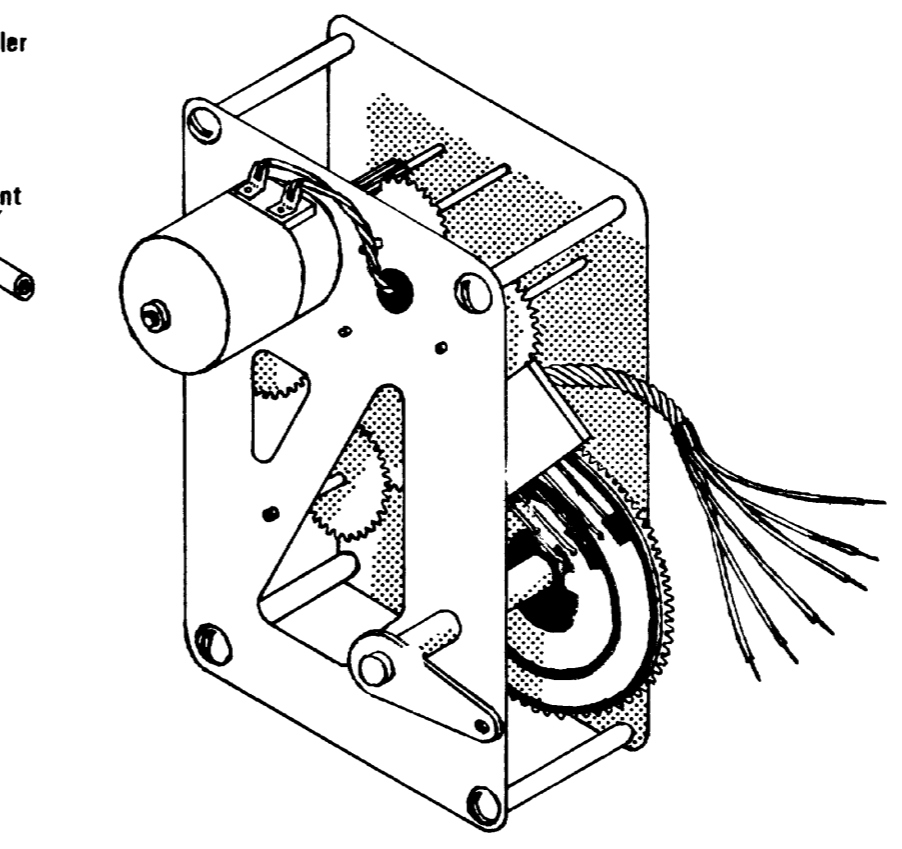


Alternative Fixed U/C Detail

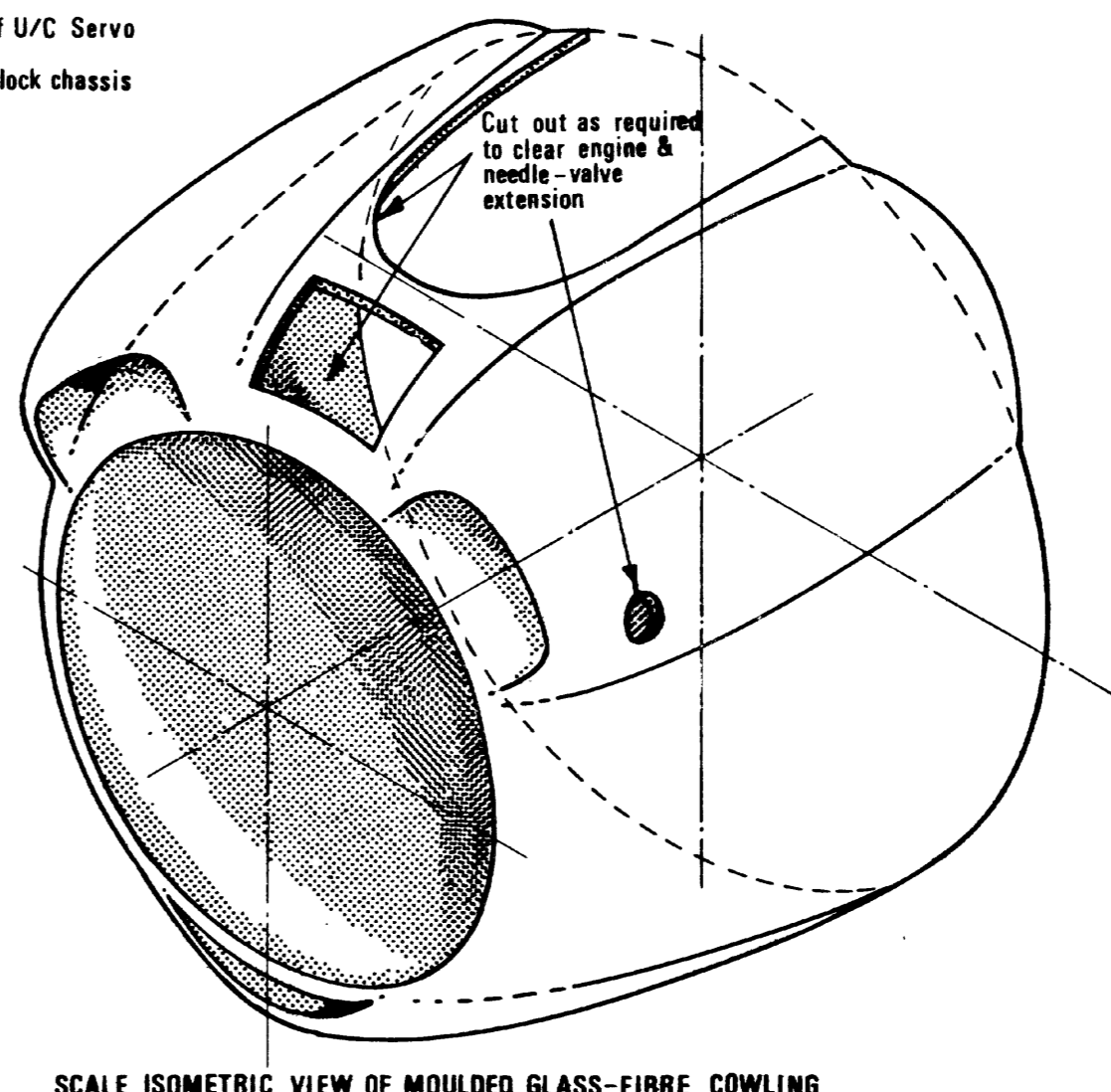
TANKS - Chicken hopper type
 Tinplate or stout shim brass
 SCALE ISOMETRIC VIEW



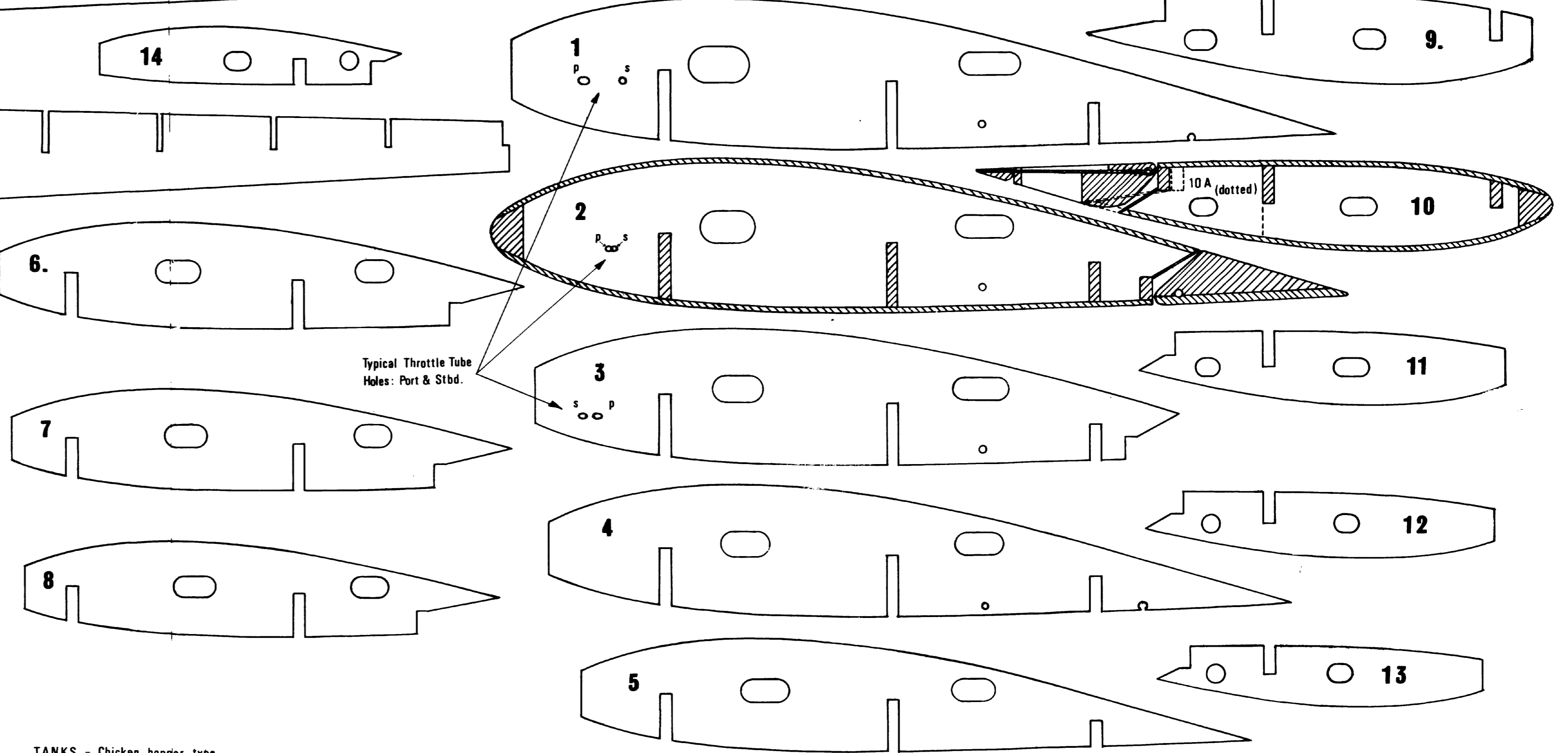
Sketches showing typical operation of U/C Doors (NOT TO SCALE)



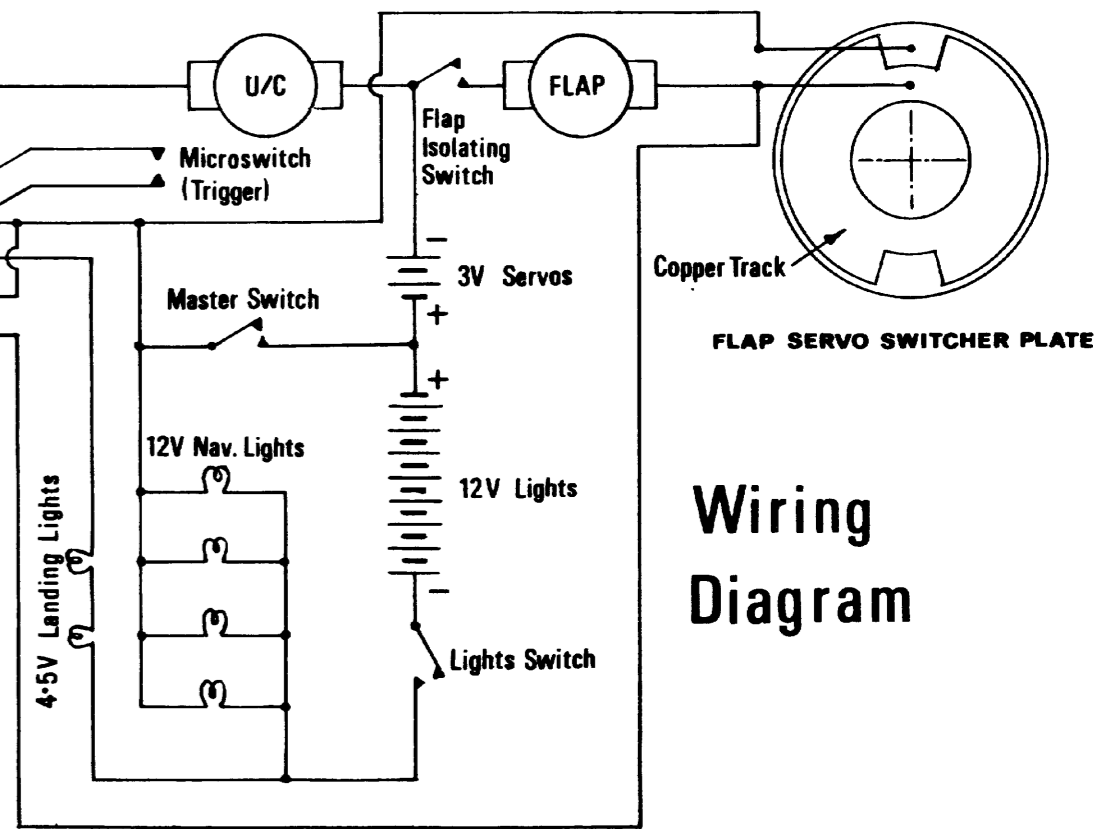
Diagrammatic Isometric View of U/C Servo Showing adaptation of alarm clock chassis (NOT TO SCALE)



SCALE ISOMETRIC VIEW OF MOULDED GLASS-FIBRE COWLING



Typical Throttle Tube Holes: Port & Stbd.



Wiring Diagram

Finished Model Weight 8 1/4 LBS

Martin Marauder
 B.26. B-20.
 Designed & Drawn by
 John Simmance.