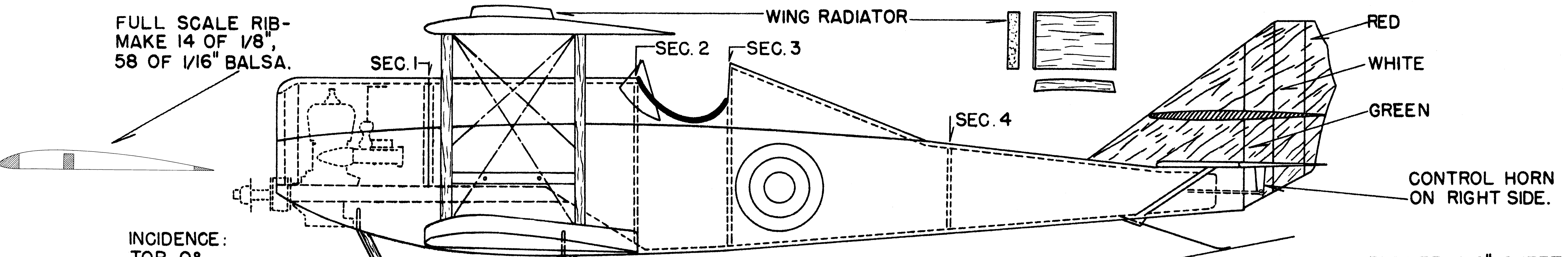
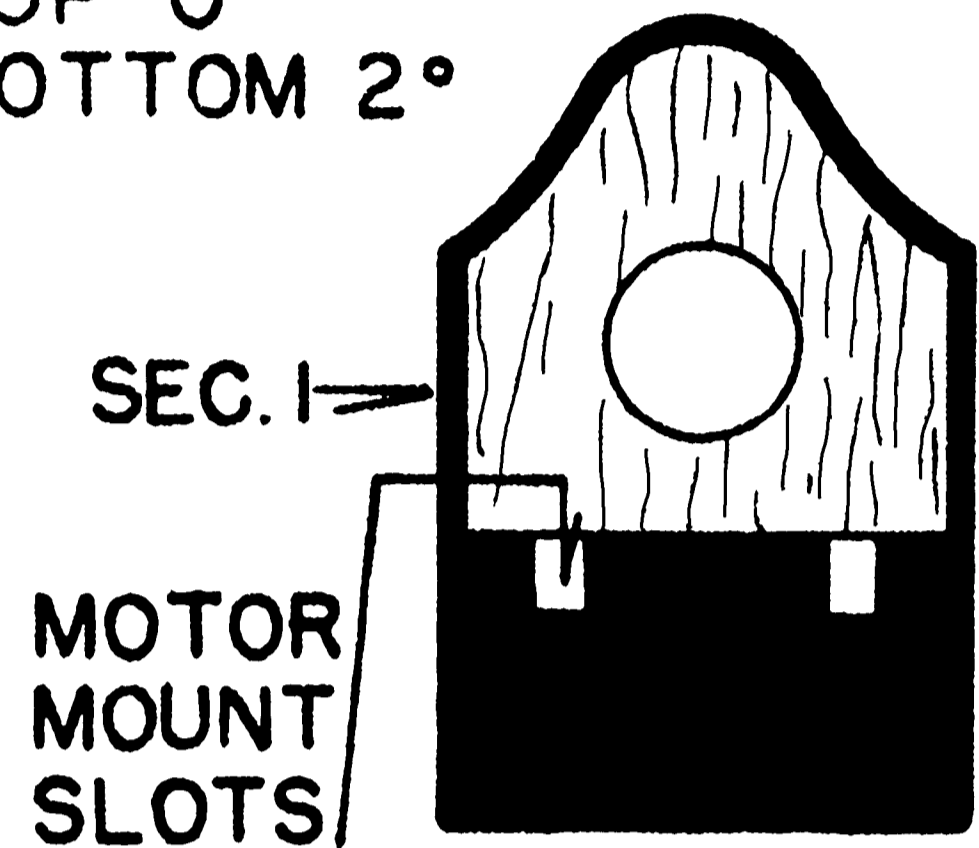


FULL SCALE RIB-
MAKE 14 OF 1/8",
58 OF 1/16" BALSA.



RUDDER: 1/4" SHEET
ELEVATOR: 3/16" "

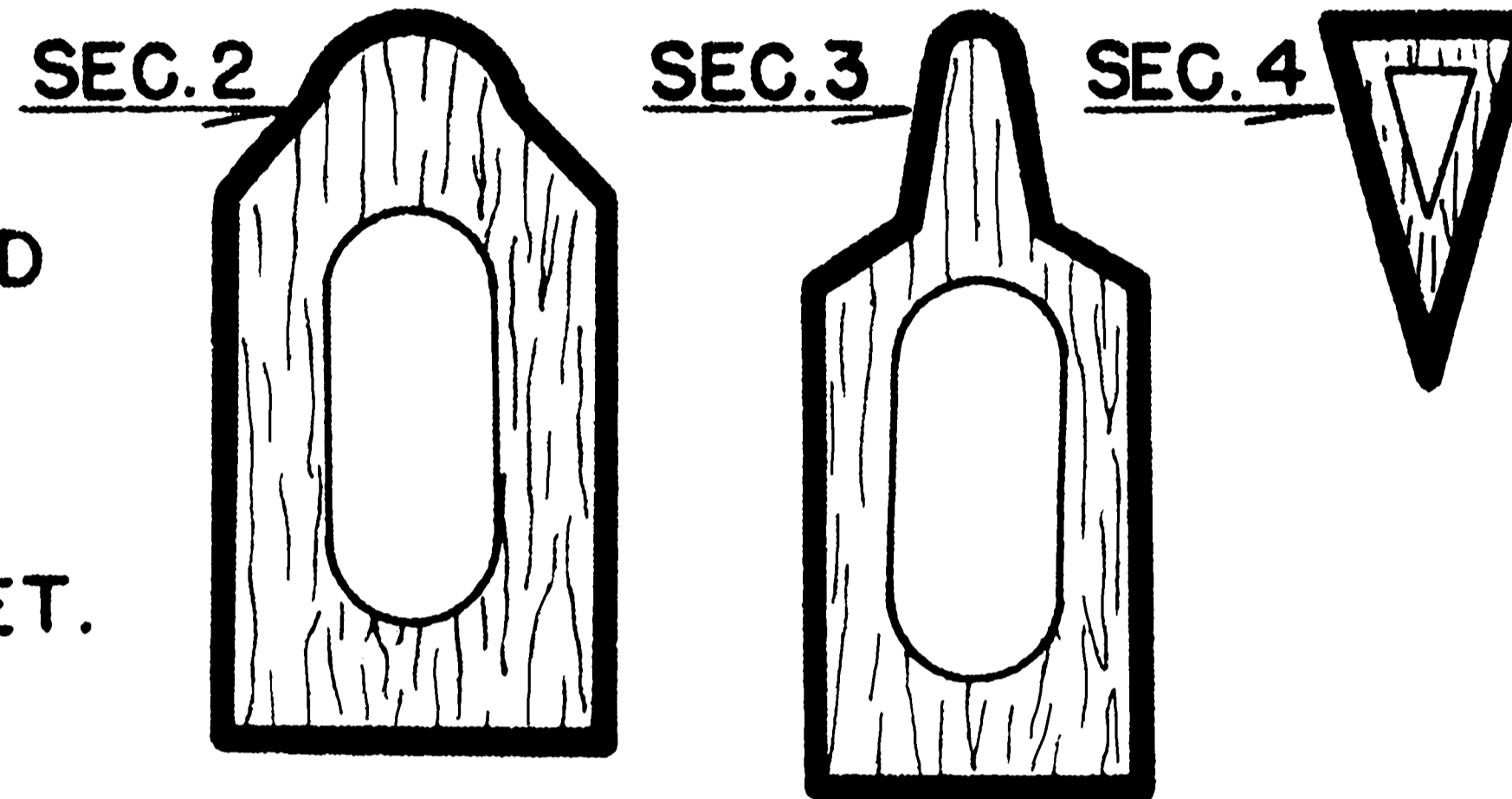
INCIDENCE:
TOP 0°
BOTTOM 2°



MOTOR
MOUNT
SLOTS

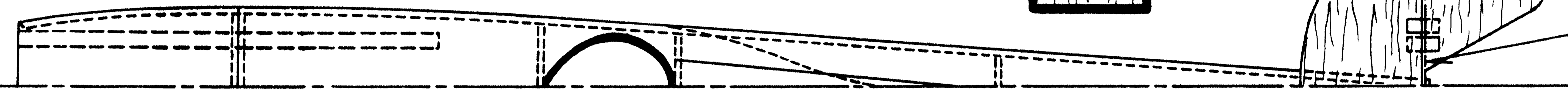
FUSELAGE IS CARVED
FROM TWO BALSA
BLOCKS.

FORMERS - 1/8" SHEET.

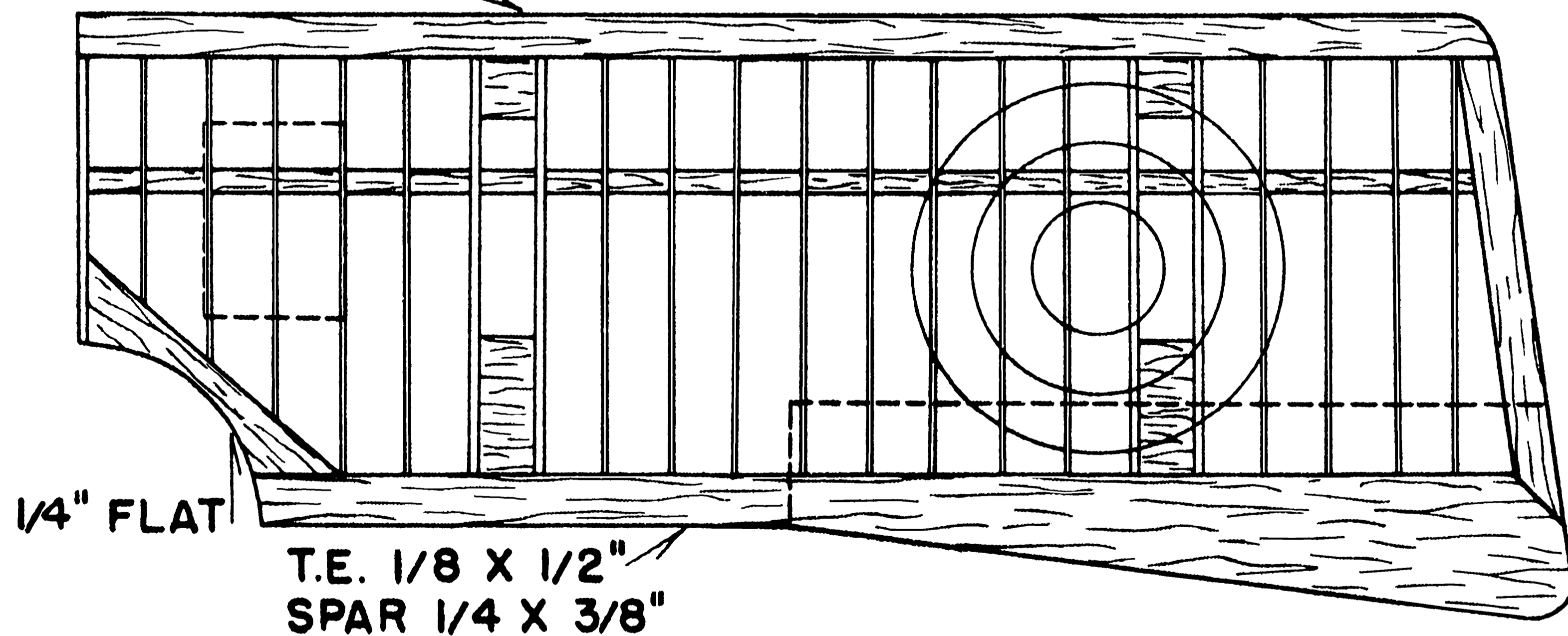


CLOTH HINGES

ELEVATOR
CONNECTING WIRE

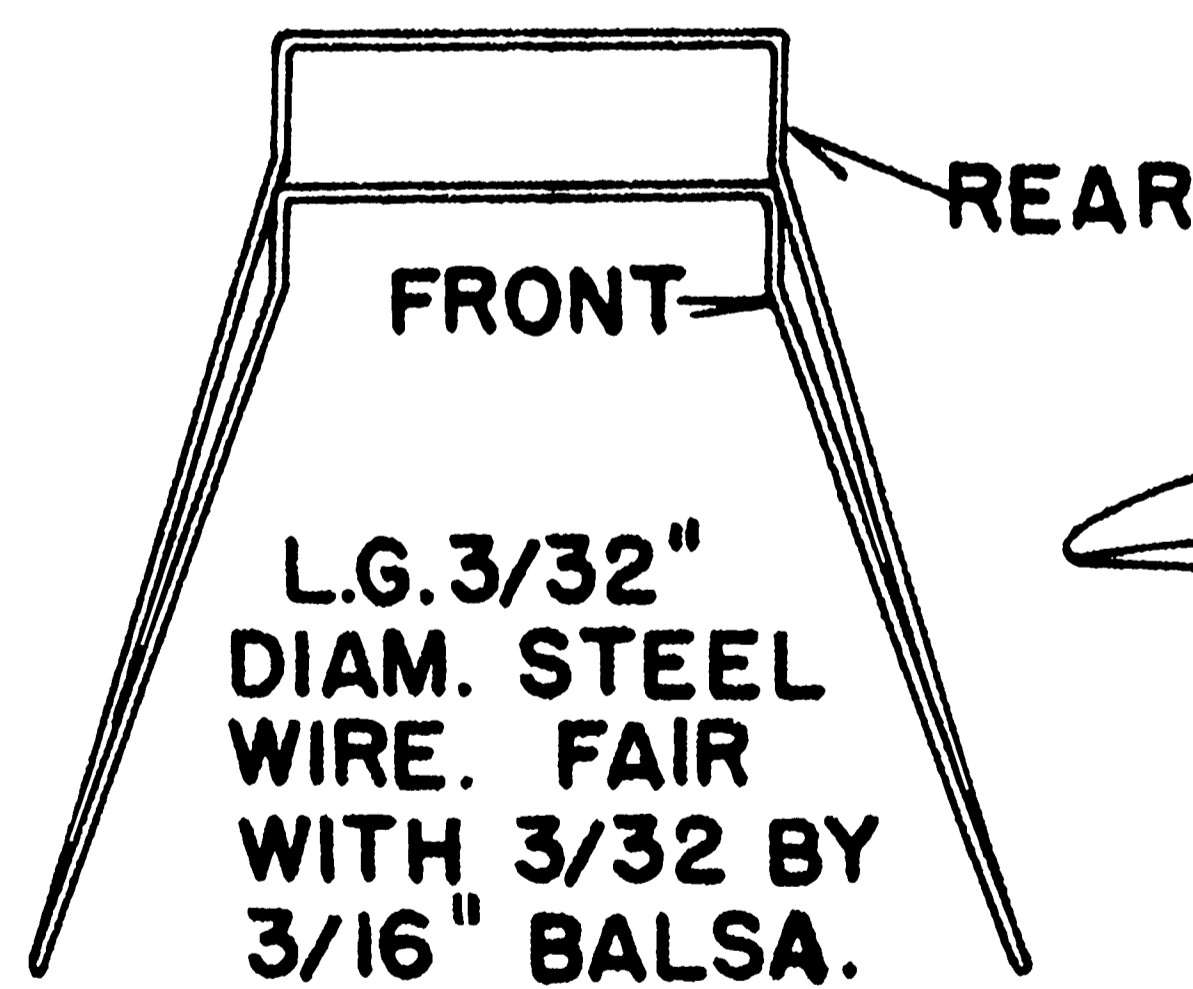
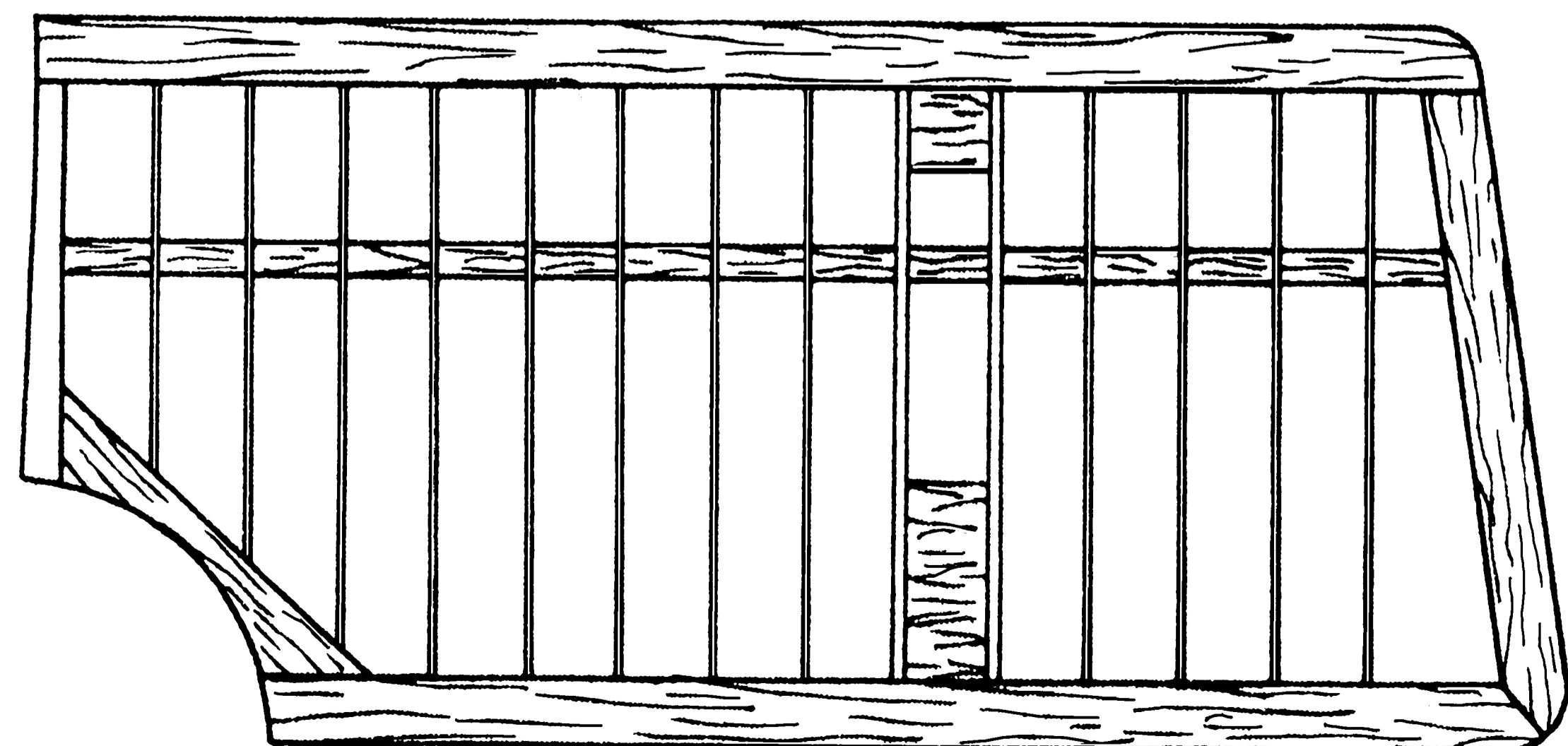


L.E. 3/8 X 1/2"



1/4" FLAT

T.E. 1/8 X 1/2"
SPAR 1/4 X 3/8"

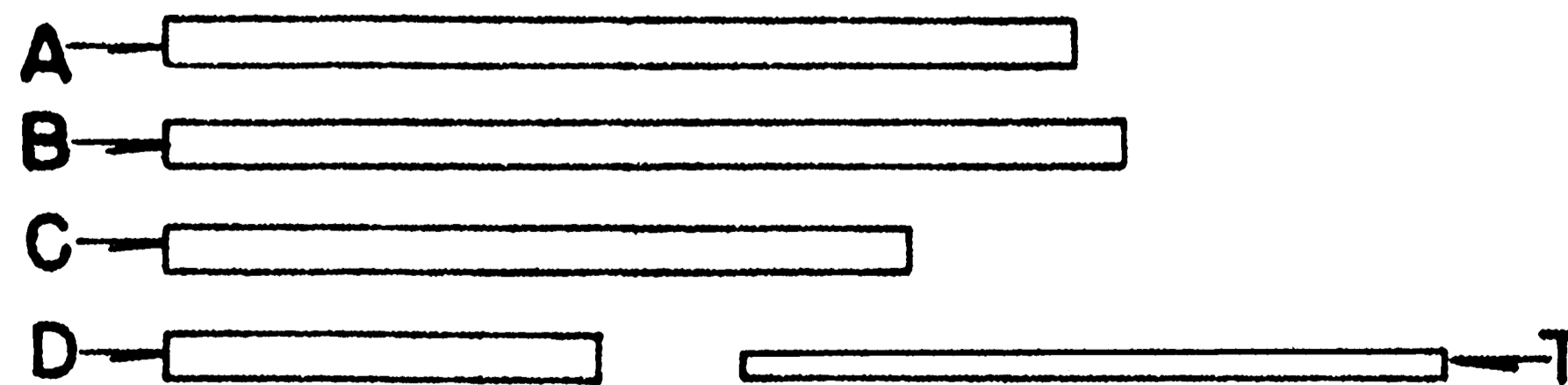


L.G. 3/32"
DIAM. STEEL
WIRE. FAIR
WITH 3/32 BY
3/16" BALSA.

REAR

FRONT

WING STRUTS 1/8 X 5/16"
TAIL STRUT (T) 3/32 X 3/16"



GRILL IS
OPTIONAL

A ONE INCH TO ONE FOOT GAS MODEL OF
THE ANSALDO S.V.A.5
DES. BY: *Joseph H. Wherry*
SCALE 0 1 2 3 4 5 6 INCHES

SCALE TYPE PROP.
3/8 X 3/4 X 9-7/8"