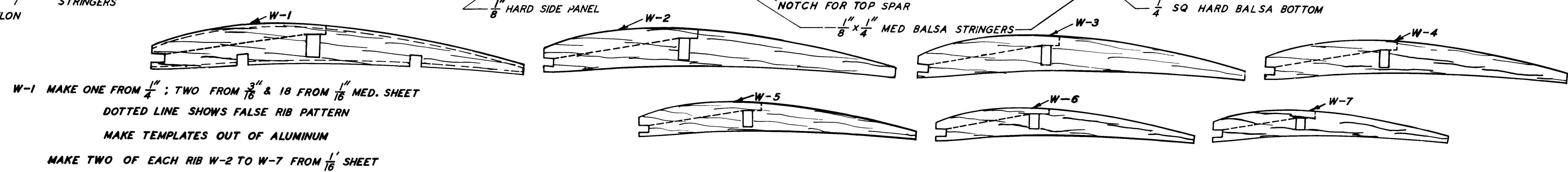
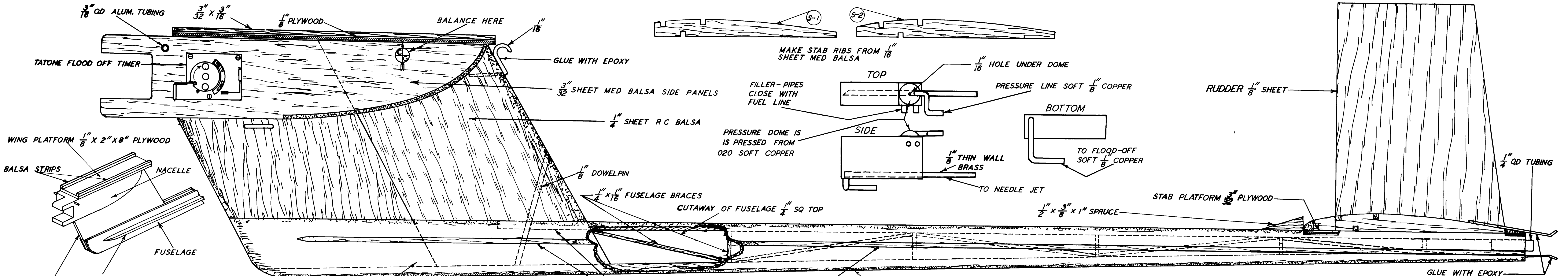


# ANGEL



<h1>ANGEL</h1>	
F.A.I. POWER MODEL	
PROJECTED WING AREA = 434 SQ. IN.	
PROJECTED TAIL AREA = 145 SQ IN	
WING SPAN = 58 IN	WEIGHT 26 1/2 OUNCES
DESIGNED BY MIKE POORMAN OF BALTO. AERO CRAFTSMEN	
DRAWING BY RICKY MAGINNIS	