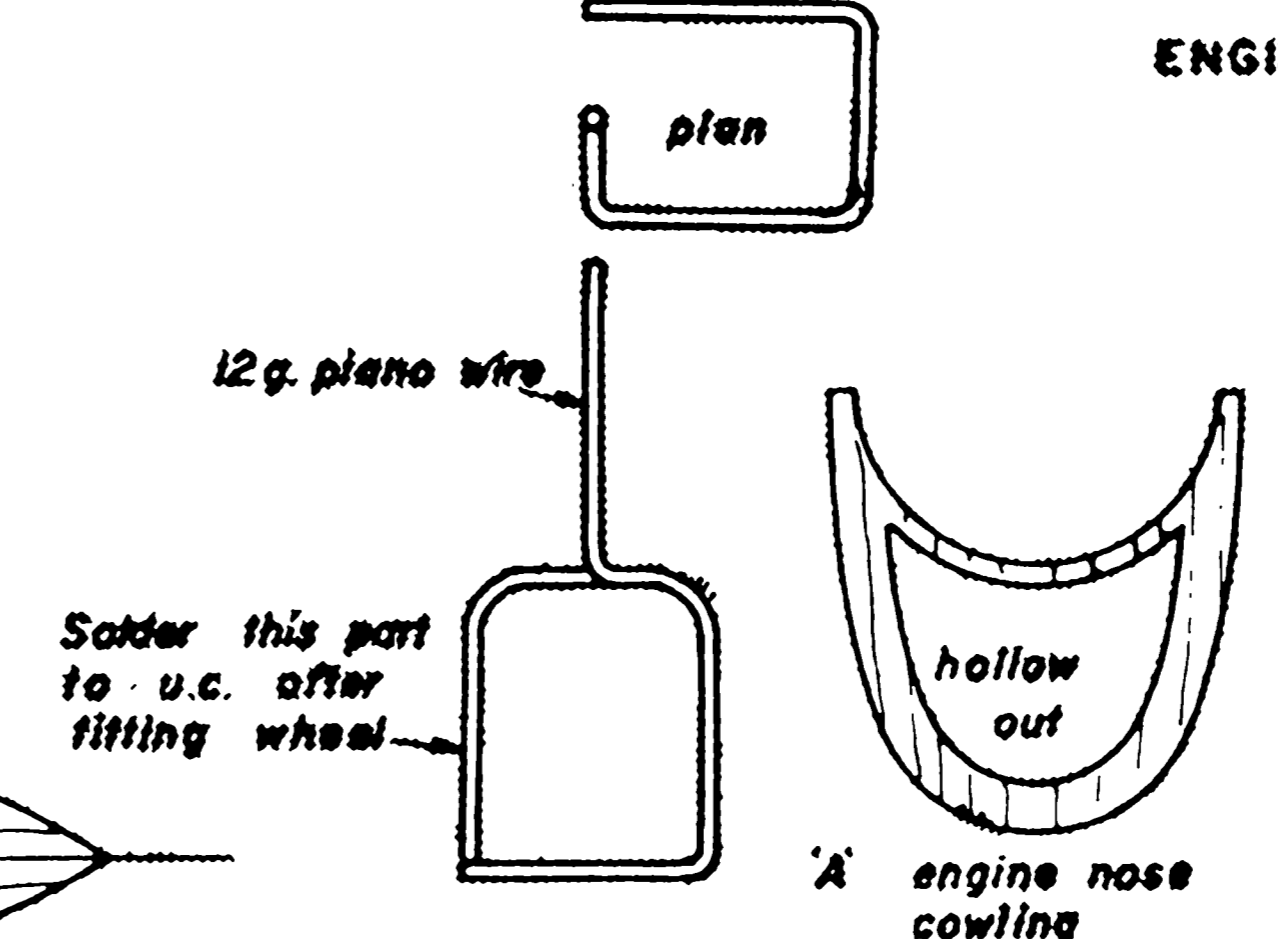
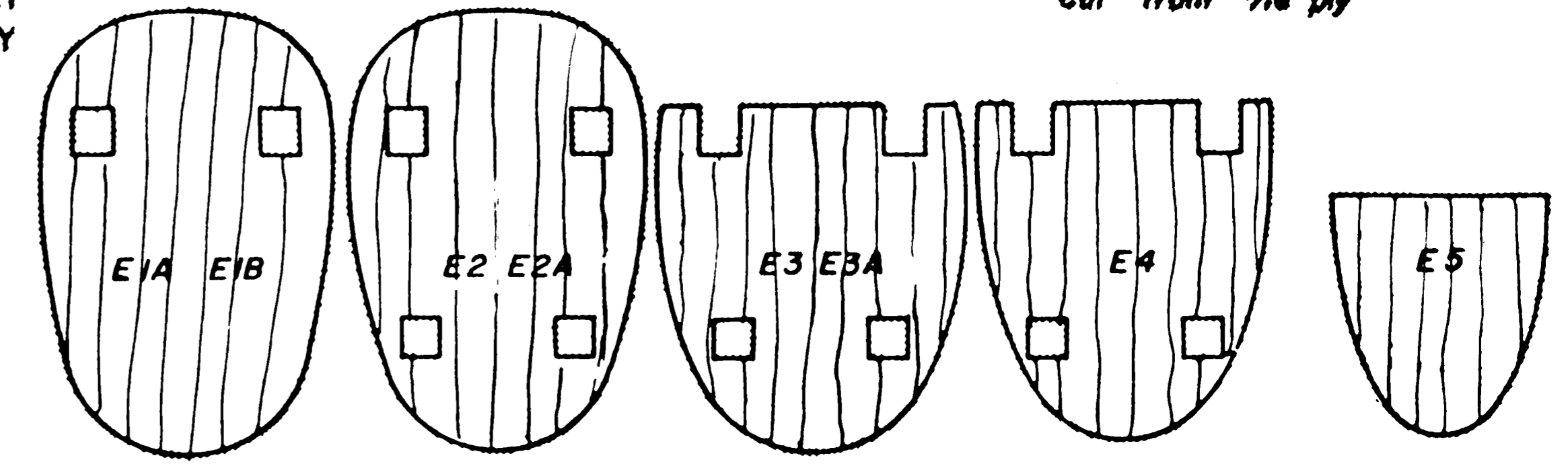
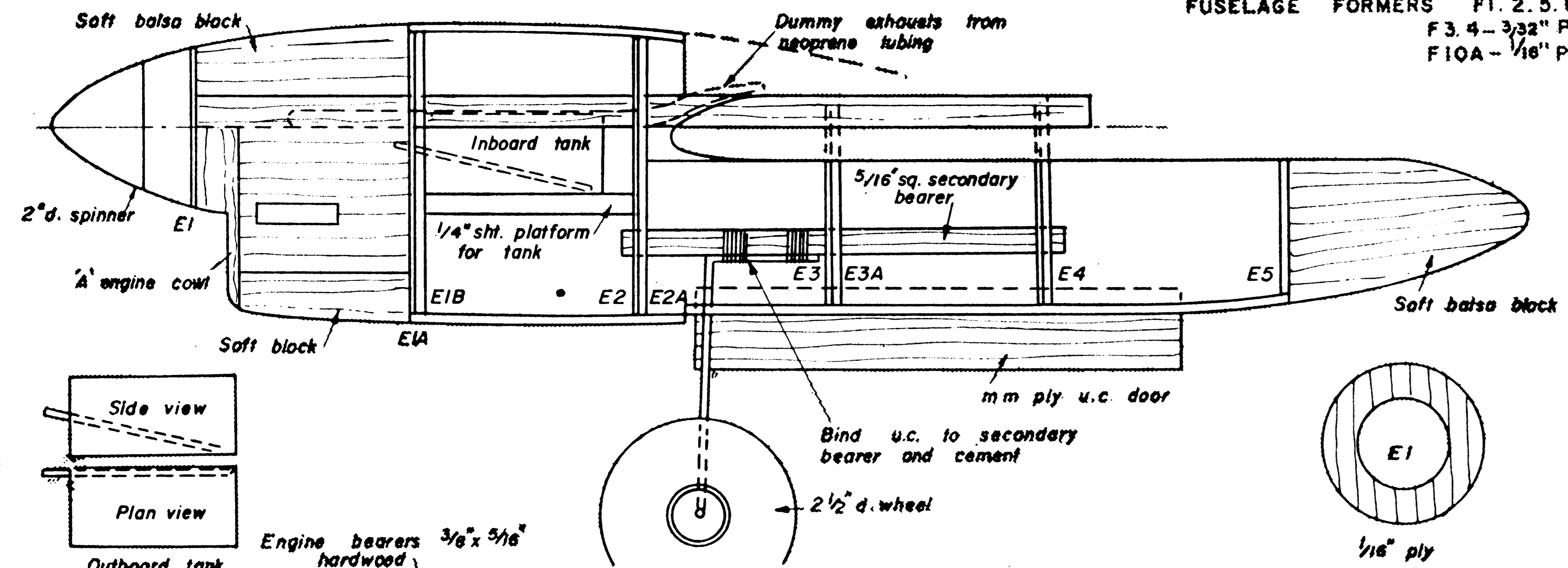


FUSELAGE FORMERS F1. 2. 5. 6. 7. 8. 9. 10. 11 - 1/16" BALSAs
 F3. 4 - 3/32" PLY
 F10A - 1/16" PLY



MA 346 SHT 1

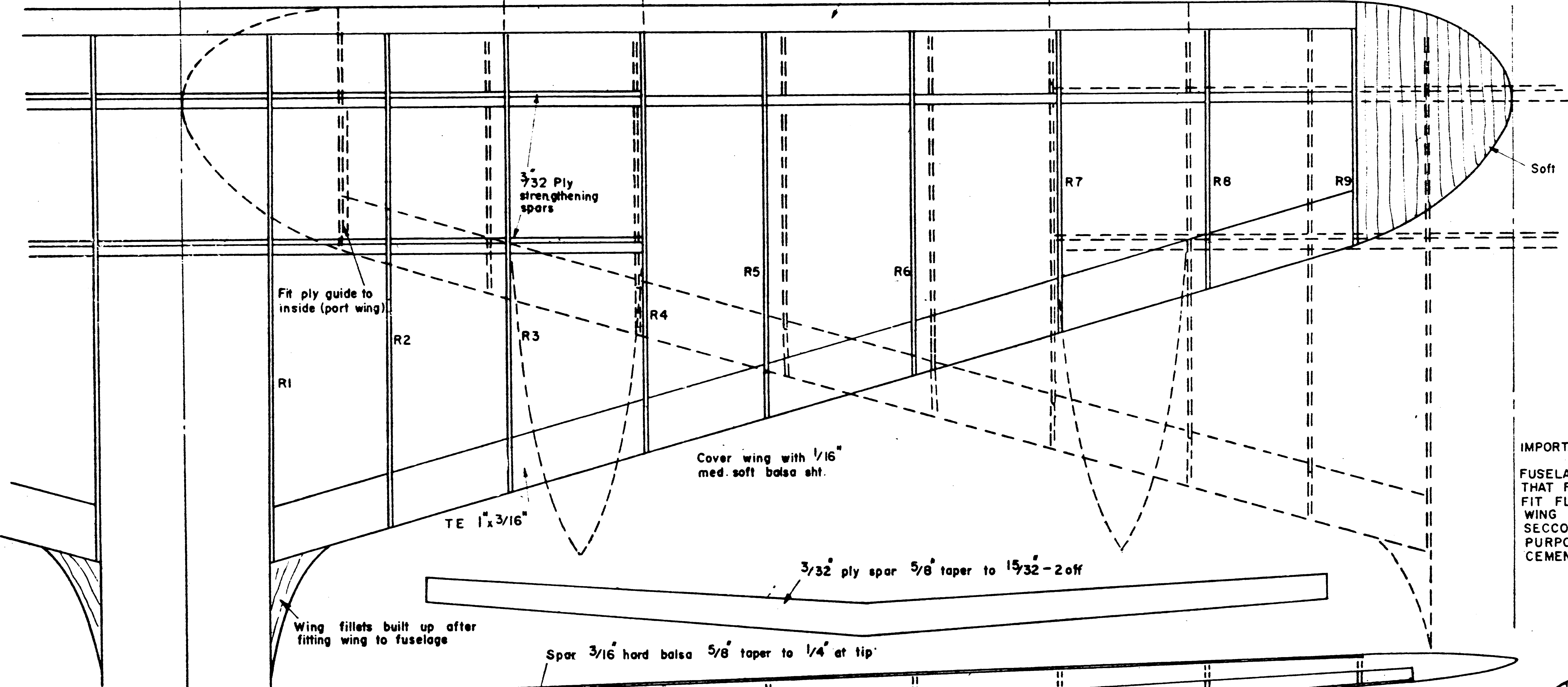
YAK 4

K. TAYLOR 76

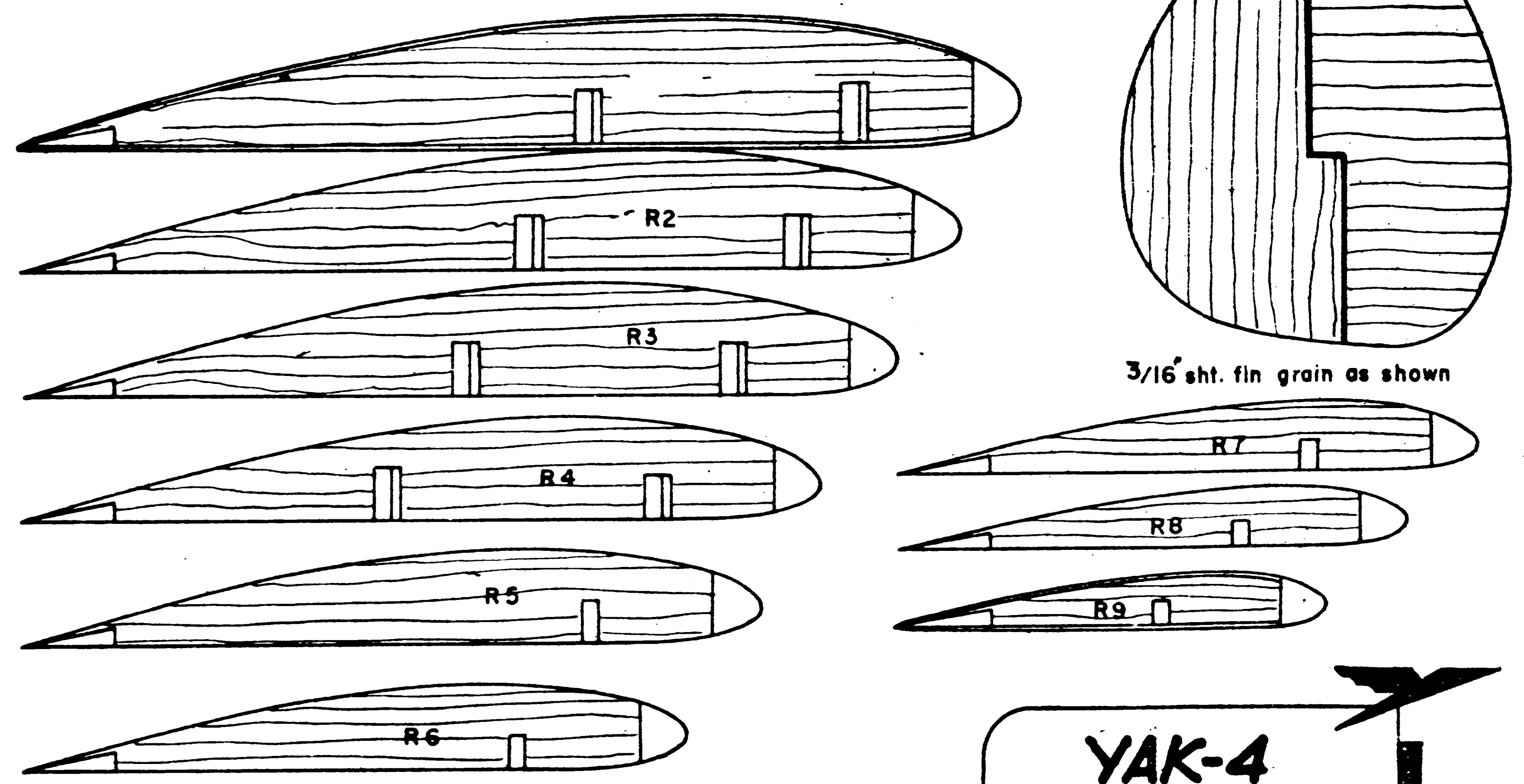
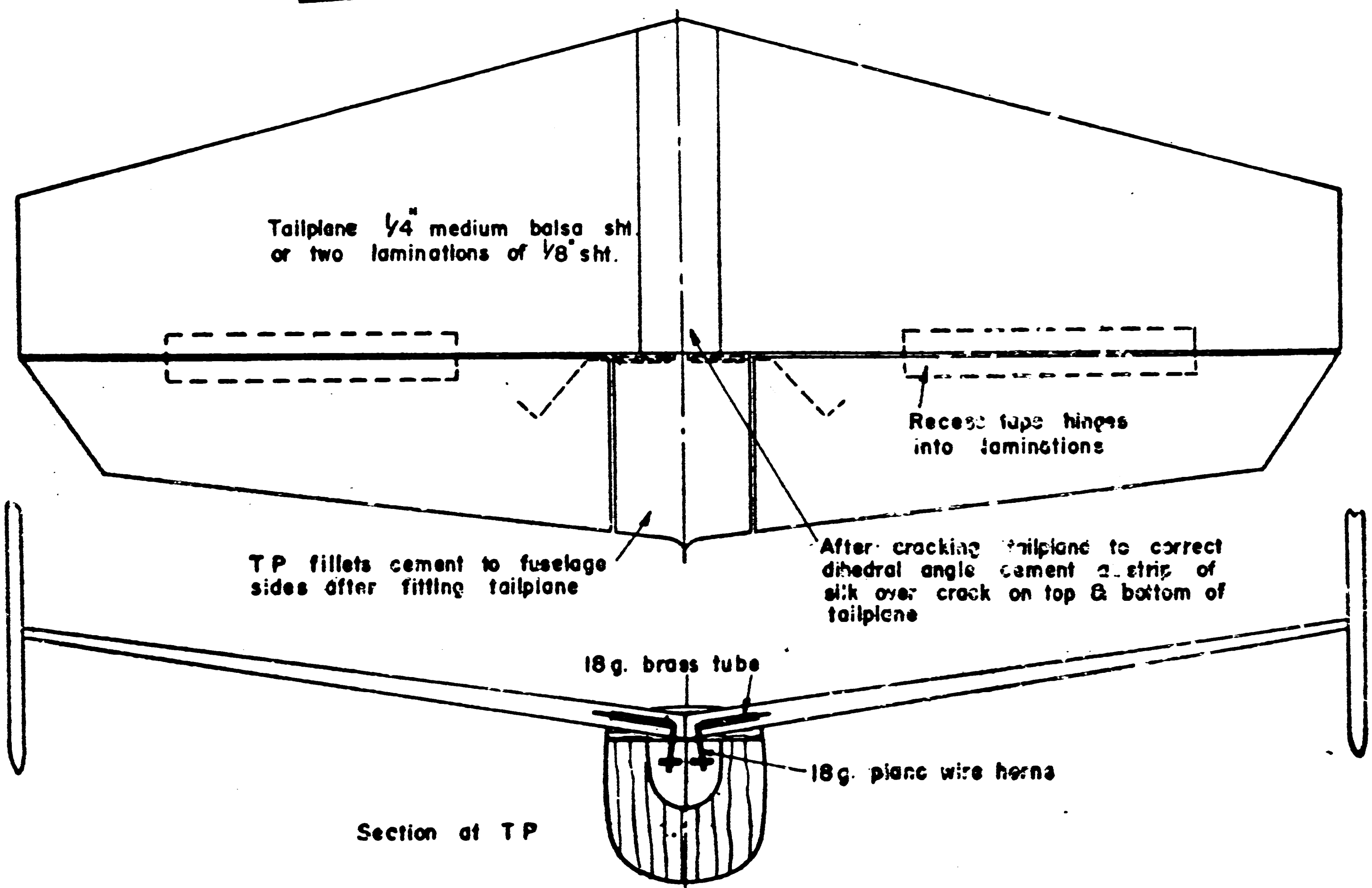
SPAN 50" LENGTH 32"
 ENGINES 2.5cc

© MODEL AIRCRAFT 1961
 19-20 NOEL ST. LONDON W1

LE $7/8 \times 1/2 \times 1/2$



IMPORTANT WHEN JOINING WING TO FUSELAGE MAKE SURE THAT FORMERS F3 & F4 FIT FLUSH AGAINST PLY WING SPARS AND USE SECCOTINE FOR THIS PURPOSE NOT BALSA CEMENT



Ribs 2 off each $3/32$ medium balsa

YAK-4

MA 346 K.TAYLOR 7/6

SHT 2

© MODEL AIRCRAFT 1961

19-20 NOEL ST. LONDON W1